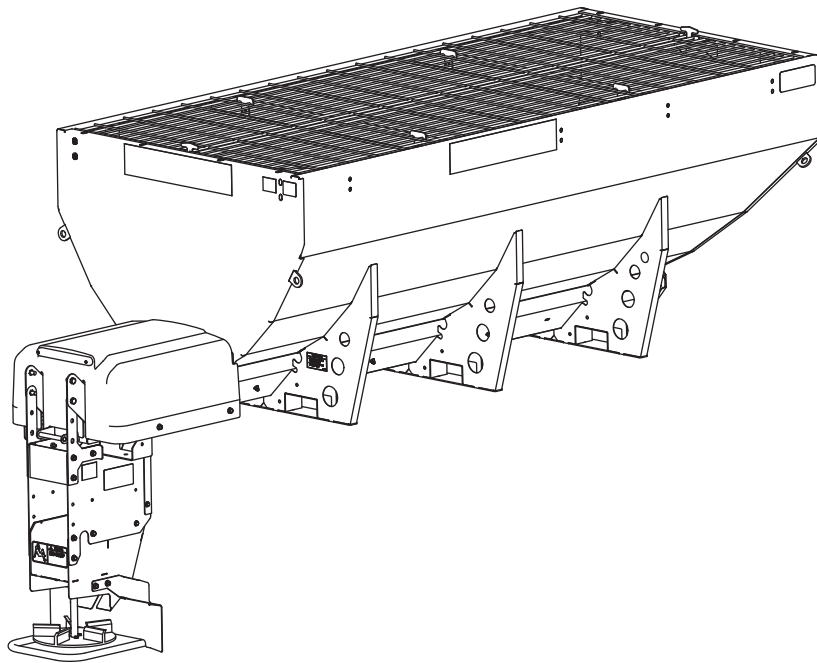




# HELIXX™ Stainless Steel Hopper Spreader

1.5, 2.0, 3.0, 4.5, & 6.0 yd<sup>3</sup>

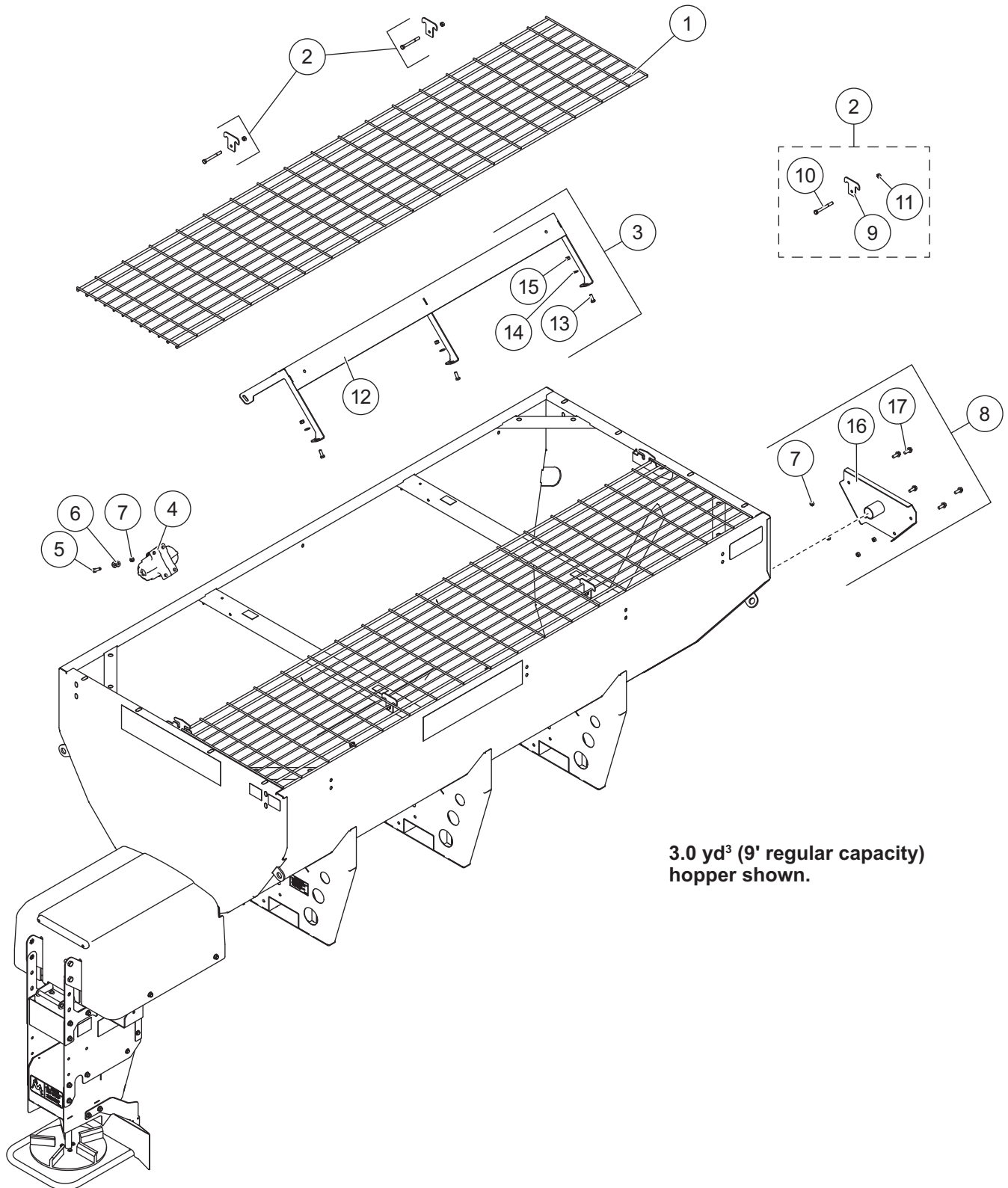
## Parts List



This Parts List is for SnowEx® HELIXX stainless steel hopper spreaders  
with serial numbers beginning with 191001 and higher.

# HELIXX™ STAINLESS STEEL HOPPER SPREADERS

## HOPPER ASSEMBLY



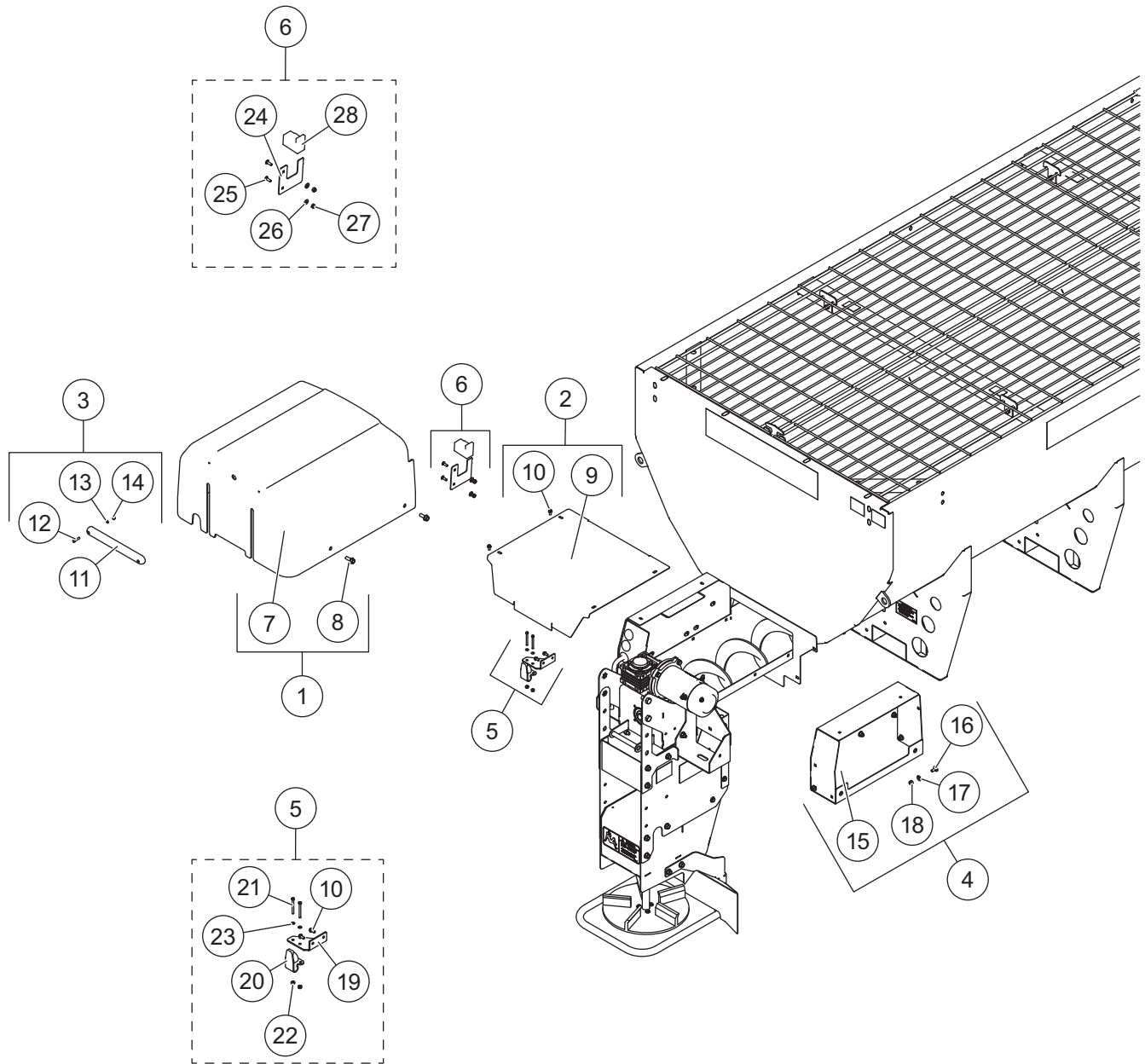
**3.0 yd<sup>3</sup> (9' regular capacity)  
hopper shown.**

# HELIXX™ STAINLESS STEEL HOPPER SPREADERS

<b>Hopper Components</b>								
<b>Item</b>	<b>Part</b>	<b>Qty</b>	<b>Description</b>	<b>Item</b>	<b>Part</b>	<b>Qty</b>	<b>Description</b>	
1	99515	2	Top Screen – 1.5 yd <sup>3</sup> (7') Hopper	ns	85468	1	Inverted V Kit – 7' & 8' Hoppers	
	99516	2	Top Screen – 2.0 yd <sup>3</sup> (8') Hopper	4	75673	1	Vibrator Kit	
	99517	2	Top Screen – 3.0 yd <sup>3</sup> (9' RC) Hopper	5		4	3/8-16 x 1-1/2 Hex Cap Screw SS	
	99518	2	Top Screen – 4.5 yd <sup>3</sup> (9' HC) Hopper	6		8	3/8 Flat Washer SS	
	99519	2	Top Screen – 6.0 yd <sup>3</sup> (10') Hopper	7		4	3/8-16 Hex Locknut GB SS	
2	85470	1	Screen Attachment Kit (set of 4)	8	85471	1	Cab-Side Trough Cap Kit	
3	85469	1	Inverted V Kit – 9' & 10' Hoppers					
<b>Item 2</b>				<b>85470 Screen Attachment Kit (set of 4)</b>				
9		4	Screen Bracket Clamp	11		4	3/8-16 Hex Locknut GB SS	
10		4	3/8-16 x 3-1/2 Hex Cap Screw SS					
<b>Item 3</b>				<b>85469 Inverted V Kit (9' &amp; 10' hoppers)</b>				
12		1	Inverted V, Long	14		6	3/8 Spring Lock Washer SS	
13		6	3/8-16 x 1 Carriage Bolt	15		6	3/8-16 Hex Nut SS	
<b>Item 3</b>				<b>85468 Inverted V Kit (7' &amp; 8' hoppers)</b>				
ns		1	Inverted V, Short	14		4	3/8 Spring Lock Washer SS	
13		4	3/8-16 x 1 Carriage Bolt	15		4	3/8-16 Hex Nut SS	
<b>Item 8</b>				<b>85471 Cab-Side Trough Cap Kit</b>				
7		4	3/8-16 Hex Locknut GB SS	17		4	3/8-16 x 1 Serrated Flange Hex Cap Screw SS	
16		1	Front Trough Cap					
ns = not shown		RC = Regular Capacity		HC = High Capacity		SS = Stainless Steel		G = Grade

# HELIXX™ STAINLESS STEEL HOPPER SPREADERS

## COVER ASSEMBLIES

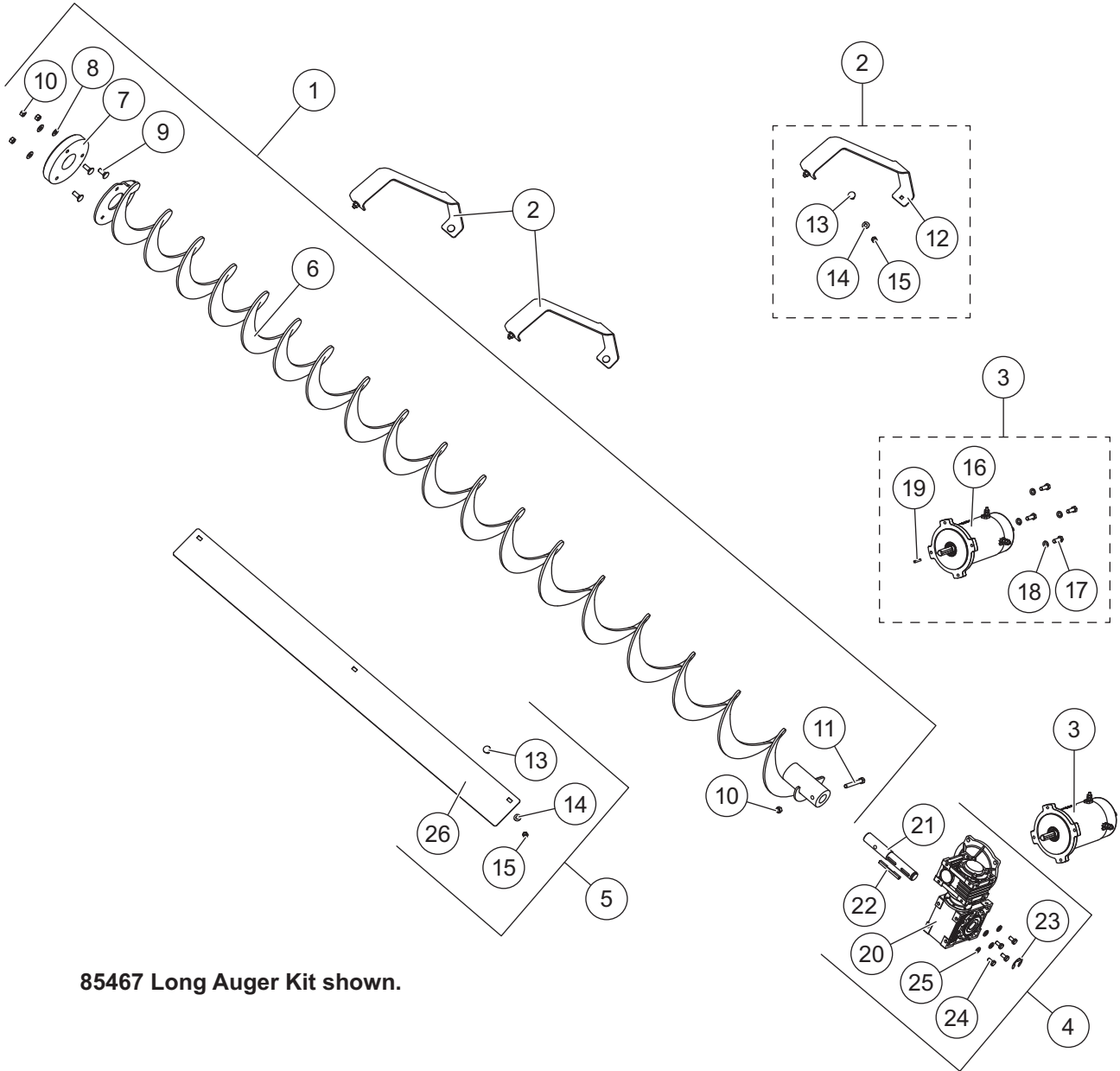


# HELIXX™ STAINLESS STEEL HOPPER SPREADERS

Cover Assemblies							
Item	Part	Qty	Description	Item	Part	Qty	Description
1	85475	1	Auger Extension Cover, Poly	ns	D6335	2	Label – Warning, Rotating Auger
2	85474	1	Trough Extension Cover	ns	D6544	1	Label – Warning, Rotating Parts
3	85449	1	CHMSL Kit	ns	D6545	1	Label – Warning, No Step
4	85473	1	Saddle Bag	ns	D6546	1	Label – Warning, GVWR
5	85476	1	Spinner Module Dust Cover	ns	11100	1	Label – Warning, Rear Camera
6	85478	1	Harness Boot	ns	29593	2	Label – Warning, Multiple Pinch Points
ns	D6192	1	Label – Warning, Hands & Feet	ns	67272	1	Label – Caution, Do Not Lift
ns	D6194	1	Label – Warning, Read Owner's Manual	ns	92969	1	Label – Warning, Chute Disconnect
				ns	92971	1	Label – Warning, Disconnect Spinner
<b>Item 1</b>				<b>85475 Auger Extension Cover, Poly</b>			
7		1	Auger Extension Cover	8		4	3/8-16 x 1 Serrated Flange Hex Cap Screw SS
<b>Item 2</b>				<b>85474 Trough Extension Cover</b>			
9		1	Trough Extension Cover	10		4	1/4-20 x 1/2 Hex Washer-Head Machine Screw SS
<b>Item 3</b>				<b>85449 CHMSL Kit</b>			
11		1	CHMSL, 8" Lead	13		2	#10 Flat Washer SS
12		2	#10-32 x 1 Phillips Pan Head Screw SS	14		2	#10-32 Hex Locknut GB SS
<b>Item 4</b>				<b>85473 Saddle Bag</b>			
15		1	Saddle Bag Enclosure	18		8	5/16-18 Hex Locknut GB
16		8	5/16-18 x 3/4 Carriage Bolt SS	ns		8	3/8-16 Hex Rivnut SS
17		8	5/16 Flat Washer SS				
<b>Item 5</b>				<b>85476 Spinner Module Dust Cover</b>			
10		2	1/4-20 x 1/2 Hex Washer-Head Machine Screw SS	21		2	#10-32 x 2 Hex Cap Screw MS
19		1	Chute Harness Bracket	22		2	#10-32 Hex Locknut GB SS
20	11991	1	Dust Cover, Spinner Plug	23		2	#10 Flat Washer, Type A SS
<b>Item 6</b>				<b>85478 Harness Boot</b>			
24		1	Harness Boot Holder	27		2	1/4-20 Hex Locknut GB
25		2	1/4-20 x 3/4 Carriage Bolt	28		1	8-Pin Cable Boot
26		2	1/4 Flat Washer, Type A Narrow				
ns = not shown		SS = Stainless Steel		MS = Mild Steel		G = Grade	

# HELIXX™ STAINLESS STEEL HOPPER SPREADERS

## DRIVETRAIN ASSEMBLY

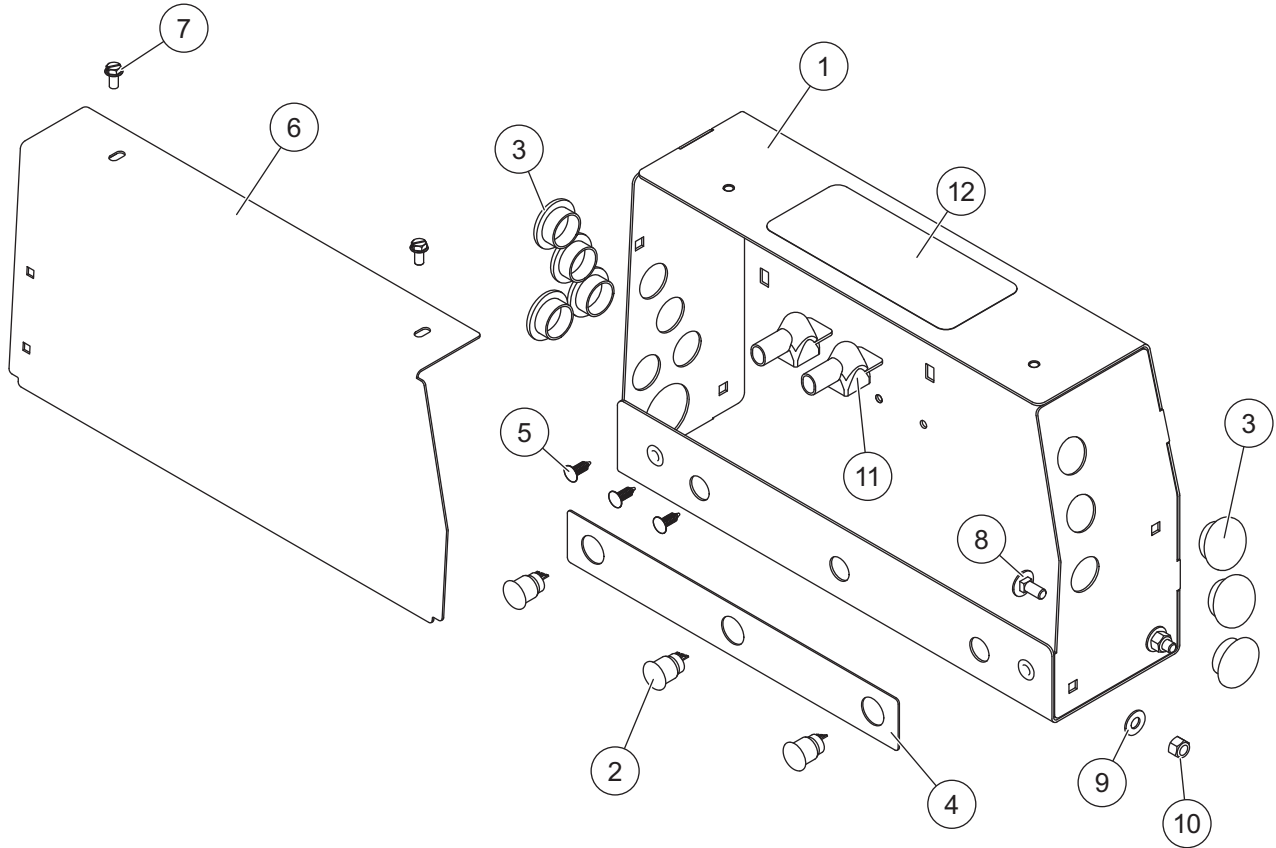


85467 Long Auger Kit shown.



# HELIXX™ STAINLESS STEEL HOPPER SPREADERS

## ELECTRICAL BOX ASSEMBLY





# HELIXX™ STAINLESS STEEL HOPPER SPREADERS

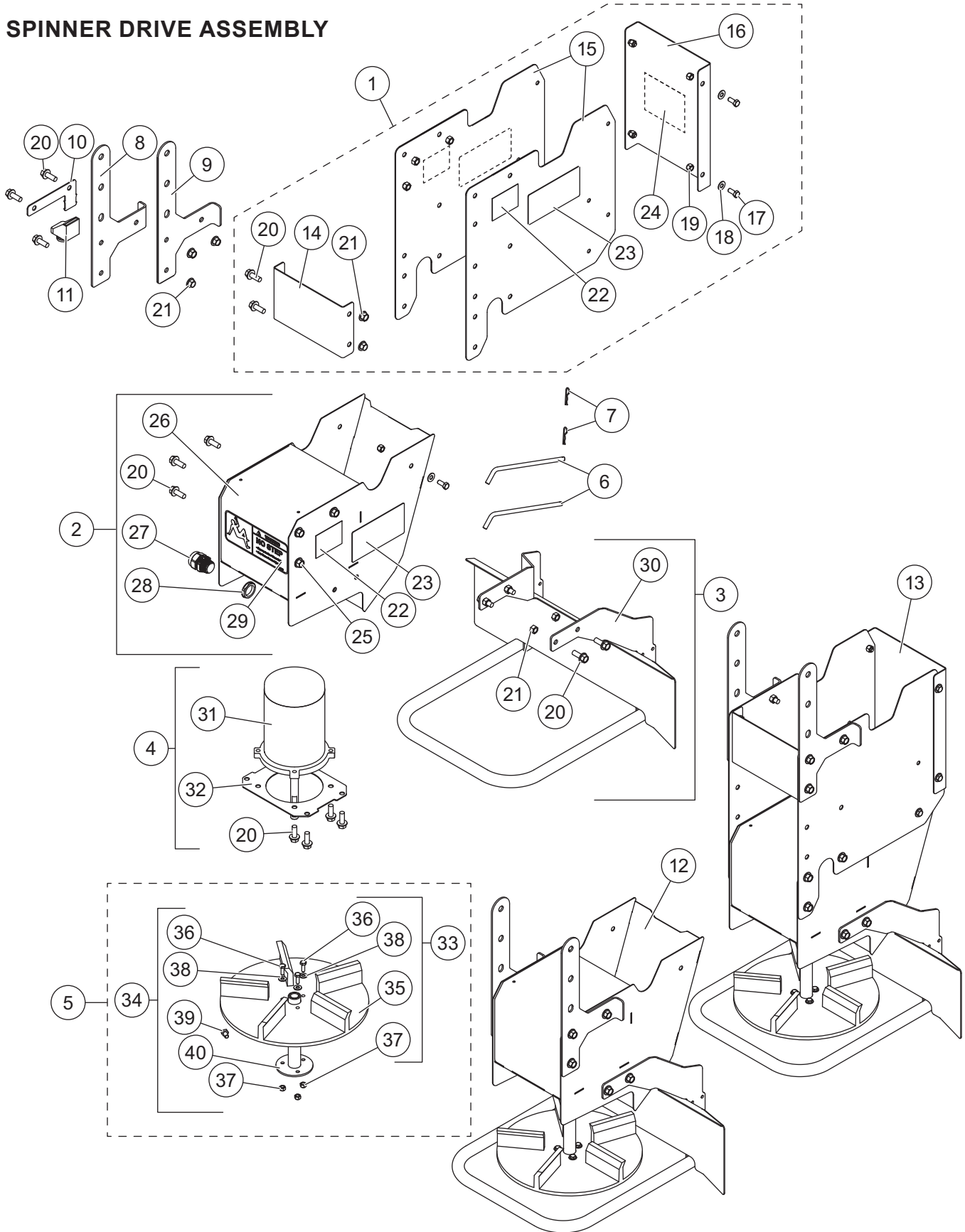
---

## ELECTRICAL BOX ASSEMBLY COMPONENTS

85472 Electrical Box Kit							
Item	Part	Qty	Description	Item	Part	Qty	Description
1		1	Electrical Enclosure	7		2	1/4-20 x 1/2 Hex Washer-Head Machine Screw
ns		2	3/8-16 Hex Rivnut SS				
2	99254	3	Switch, Push Button MO	8		8	5/16-18 x 3/4 Carriage Bolt SS
3		7	Break-Thru Plug	9		8	5/16 Flat Washer SS
4	77420	1	Auger Button Label	10		8	5/16-18 Hex Locknut GB
5		2	1/4 x 3/4 x 1/2 Push Retainer	11		2	Motor Terminal Cover
6		1	Electrical Box Cover	12	D6335	1	Label – Warning, Rotating Auger
G = Grade				SS = Stainless Steel			

# HELIXX™ STAINLESS STEEL HOPPER SPREADERS

## SPINNER DRIVE ASSEMBLY



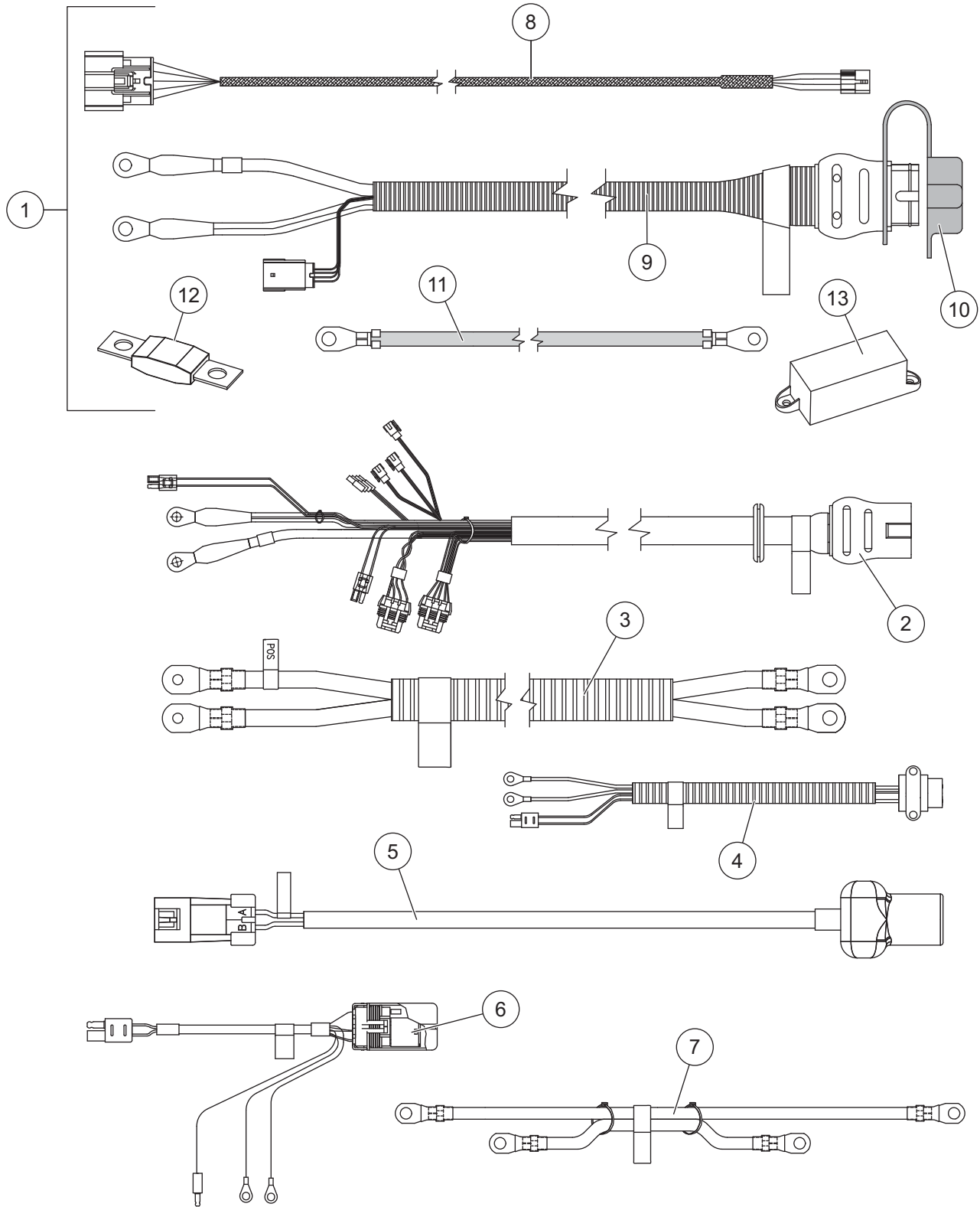
# HELIXX™ STAINLESS STEEL HOPPER SPREADERS

<b>Spinner Drive Assembly Components</b>							
<b>Item</b>	<b>Part</b>	<b>Qty</b>	<b>Description</b>	<b>Item</b>	<b>Part</b>	<b>Qty</b>	<b>Description</b>
1	80221*	1	Chute Extension Kit	8	11871	1	Chute Hanger – DS
2	85434	1	Spinner Drive Housing	9	11872	1	Chute Hanger – PS
3	85437	1	Spinner Guard Service Kit	10	90774	1	Cable Boot Bracket
4	85436	1	Spinner Motor Service Kit	11	11992	1	Spinner Harness Dust Cover
5	80222	1	Spinner Disk Kit	12	77570	1	Spinner Drive Assembly Kit
6	11981	2	Chute Locking Pin	13	77571	1	Spinner Drive Extension Assembly Kit
7	D4135	2	.093 x 2-3/8 Hair Pin Cotter, Zinc				
<b>Item 1 80221* Chute Extension Kit</b>							
14		1	Chute Extension Stiffener	20		6	3/8-16 x 1 Serrated Flange Hex Cap Screw SS
15		2	Chute Extension Side Plate				
16		1	Chute Extension Funnel	21		6	3/8-16 Locknut SS
17		6	5/16-18 x 3/4 Hex Cap Screw SS	22	29593	2	Label – Warning, Multiple Pinch Points
18		6	5/16 Flat Washer SS	23	11100	1	Label – Warning, Rear Camera
19		6	5/16-18 Hex Locknut SS	24	92971	1	Label – Warning, Disconnect
<b>Item 2 85434 Spinner Drive Housing</b>							
20		6	3/8-16 x 1 Serrated Flange Hex Cap Screw SS	26		1	Chute Motor Enclosure
				27		1	10/2 3/4 NPT Strain Relief
22	29593	2	Label – Warning, Multiple Pinch Points	28		1	3/4 Locknut, Nylon
23	11100	1	Label – Warning, Rear Camera	29	D6545	1	Label – Warning, No Step
25		6	3/8-16 Hex Rivnut SS				
<b>Item 3 85437 Spinner Guard Service Kit</b>							
20		4	3/8-16 x 1 Serrated Flange Hex Cap Screw SS	21		4	3/8-16 Locknut SS
				30		1	Deflector
<b>Item 4 85436 Spinner Motor Service Kit</b>							
20		4	3/8-16 x 1 Serrated Flange Hex Cap Screw SS	31	D6887	1	Spinner Motor, Direct Drive
				32		1	Spinner Motor Plate
<b>Item 5 80222 Spinner Disk Kit</b>							
33	85438	1	Spinner Disk Service Kit	34	85439	1	Spinner Disk Mount Service Kit
<b>Item 33 85438 Spinner Disk Service Kit</b>							
35	D6823	1	12 x 5/8 Spinner	37		3	1/4-20 Locknut Zinc
36		3	1/4-20 x 1 Serrated Hex Washer-Head Cap Screw SS	38		3	1/4 Flat Washer SS
<b>Item 34 85439 Spinner Disk Mount Service Kit</b>							
36		3	1/4-20 x 1 Serrated Hex Washer-Head Cap Screw SS	38		3	1/4 Flat Washer SS
				39		1	5/16-18 x 1/2 Hex Cap Screw SS
37		3	1/4-20 Locknut Zinc	40	11874	1	Spinner Hub
ns = not shown				SS = Stainless Steel			

\* Accessory only for 1.5 & 2.25 yd<sup>3</sup> hopper spreaders.

# HELIXX™ STAINLESS STEEL HOPPER SPREADERS

## CONTROL & ELECTRICAL COMPONENTS

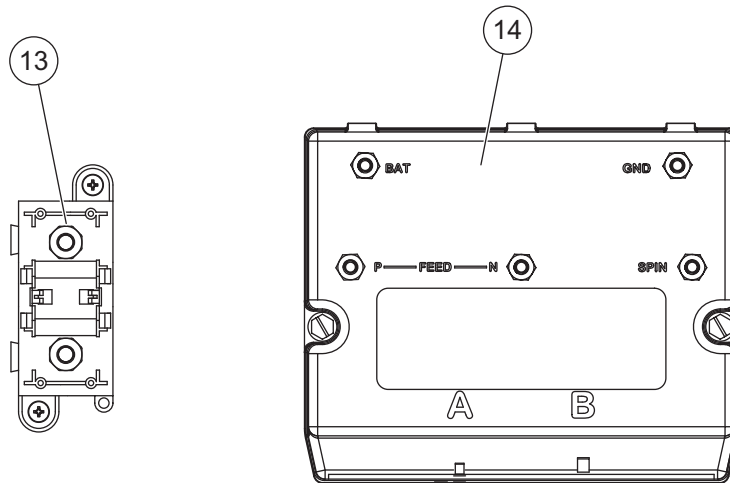


Not drawn to scale.

# HELIXX™ STAINLESS STEEL HOPPER SPREADERS

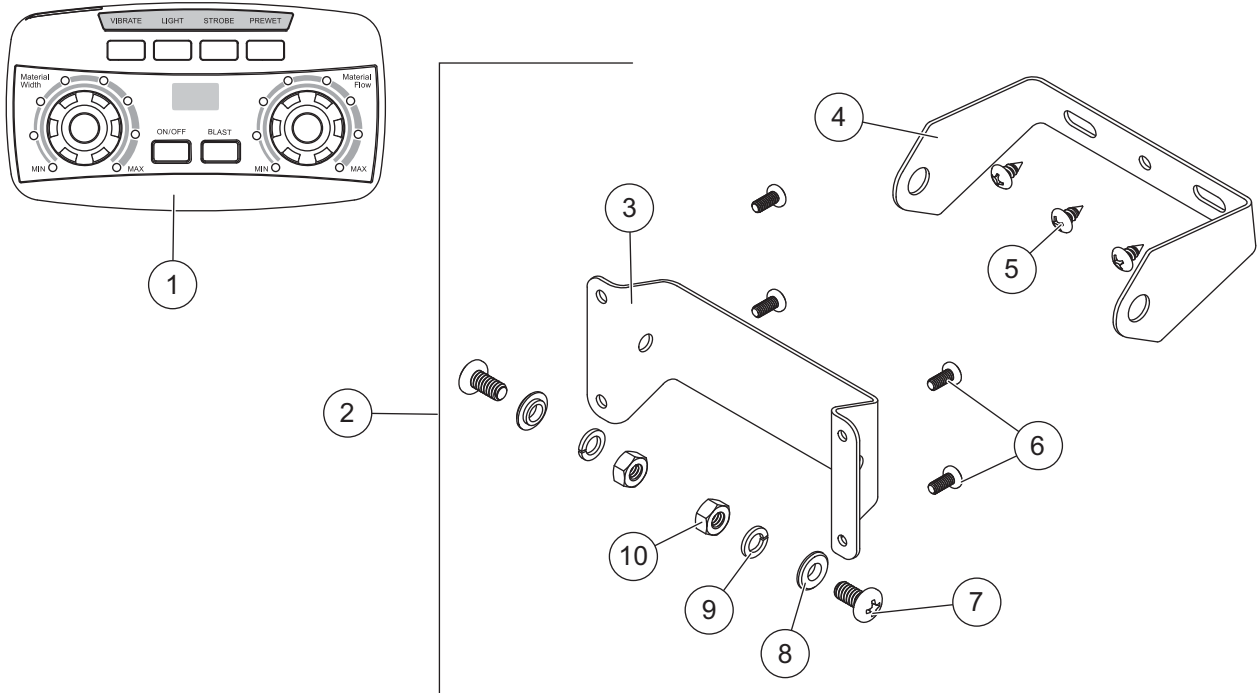
## CONTROL & ELECTRICAL COMPONENTS

Cables & Harnessing / Electrical Enclosure Assembly							
Item	Part	Qty	Description	Item	Part	Qty	Description
1	83695	1	Vehicle Side Harness Kit	ns	83712	1	Vibrator Extension Harness, 24"
2	83688	1	Hopper Cable Assembly	ns	78025-2	1	Stop Light Assembly, 60" Lead
3	78987	1	Module to Auger Motor Cable Assy	ns		1	#10-32 x 1 Phillips Pan Head Screw SS
4	80100	1	Spinner Module Cable Assembly	ns		1	#10-32 Locknut GB
5	85435	1	Spinner Motor Cable Assembly	ns		1	#10 Flat Washer Type A SS
6	78382	1	Vibrator Harness Assembly	ns	69916	1	8-Pin Cable Boot
7	78385	1	Module to Isolated Stud Cable Assy	ns	61592	1	Butt Splice
<b>Item 1</b>				<b>83695 Vehicle Side Harness Kit</b>			
8	69902	1	Vehicle Control Harness	12	95836	1	Fuse, 100A
9	83690	1	Vehicle Harness Assy (incl. item 10)	13	95837	2	Fuse Holder/Isolated Stud Block
10	99759	1	Plug Cover	ns		6	Cable Tie, HD
11	22511	1	22" Battery Cable – Red	ns		10	Cable Tie, 15.35"
Electrical Box Components							
13	95837	1	Fuse Holder/Isolated Stud Block	14	52375	1	Spreader Module, 5-Post
ns = not shown		G = Grade		SS = Stainless Steel			



# HELIXX™ STAINLESS STEEL HOPPER SPREADERS

## CONTROL & ELECTRICAL COMPONENTS



52430 Cab Control Kit							
1	52432	1	Cab Control 2-Knob	2	52345	1	Cab Control Bracket Kit
<b>Item 2</b>		<b>52345 Cab Control Bracket Kit</b>					
3	1	Bracket, Control Inner		7	2	1/4-20 x 1/2 Pan Head Machine Screw SS – Black	
4	1	Bracket, Control Outer		8	2	1/4 Shoulder Washer SS – Black	
5	3	#10 x 3/8 Pan Head Tapping Screw SS		9	2	1/4 Lock Washer SS	
6	4	#8 x 3/8 Pan Head Machine Screw		10	2	1/4-20 Hex Nut G5 – Black	
SS = Stainless Steel				G = Grade			

# HELIXX™ STAINLESS STEEL HOPPER SPREADERS

## ACCESSORIES

Part	Description	Part	Description
85456	Work Light Kit	92533	Truck Mount Kit, 3 Bars (9' & 10' hoppers)
85457	Auxiliary Work Light Kit	99690	Tie-Down Kit, SH Chain
85458	Strobe Light Kit	72750	Steel Hopper Cover (7', 8' & 9' RC hoppers)
78402	Vehicle-Side Harness Kit	72770	Steel Hopper Cover (9' HC & 10' hoppers)
99488	Hopper-Side Extension Kit	81120	50" Spill Guard
92532	Truck Mount Kit, 2 Bars (7' & 8' hoppers)	81119	70" Spill Guard
68790	Ratchet Strap Kit (pkg of 4)	85459	Vibrator Kit

Pre-Wet Kits						
Part	Description	Qty				
		1.5 yd <sup>3</sup>	2 yd <sup>3</sup>	3.0 yd <sup>3</sup>	4.5 yd <sup>3</sup>	6 yd <sup>3</sup>
74610	100 gal HELIXX Liquid Kit, 4 x 25-gal Tanks	1	1	–	–	–
74620	200 gal HELIXX Liquid Kit, 4 x 50-gal Tanks	–	–	1	1	1
74630	100 gal HELIXX Liquid Kit, 2 x 50-gal Tanks	–	–	1	1	1



TrynEx International, LLC  
531 Ajax Drive  
Madison Heights, MI 48071-2429  
[www.snowexproducts.com](http://www.snowexproducts.com)

 A DIVISION OF DOUGLAS DYNAMICS, LLC

Copyright © 2020 Douglas Dynamics, LLC. All rights reserved. This material may not be reproduced or copied, in whole or in part, in any printed, mechanical, electronic, film, or other distribution and storage media, without the written consent of TrynEx International, LLC. Authorization to photocopy items for internal or personal use by TrynEx International outlets or spreader owner is granted.

TrynEx International reserves the right under its product improvement policy to change construction or design details and furnish equipment when so altered without reference to illustrations or specifications used. TrynEx International or the vehicle manufacturer may require or recommend optional equipment for spreaders. Do not exceed vehicle ratings with a spreader. TrynEx International offers a limited warranty for all spreaders and accessories. See separately printed page for this important information. The following are registered (®) or unregistered (™) trademarks of Douglas Dynamics, LLC: HELIXX™, SnowEx®.

**Printed in U.S.A.**