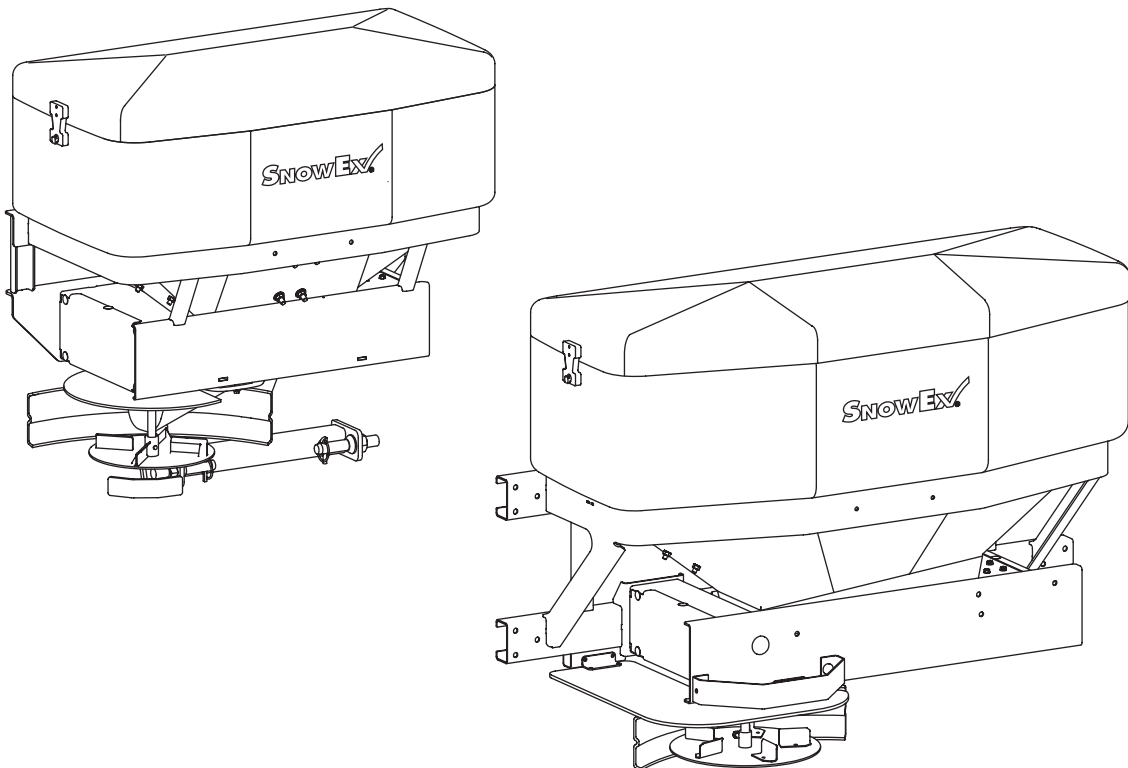




# SP-1575, SP-1875 Bulk Pro Tailgate Spreader

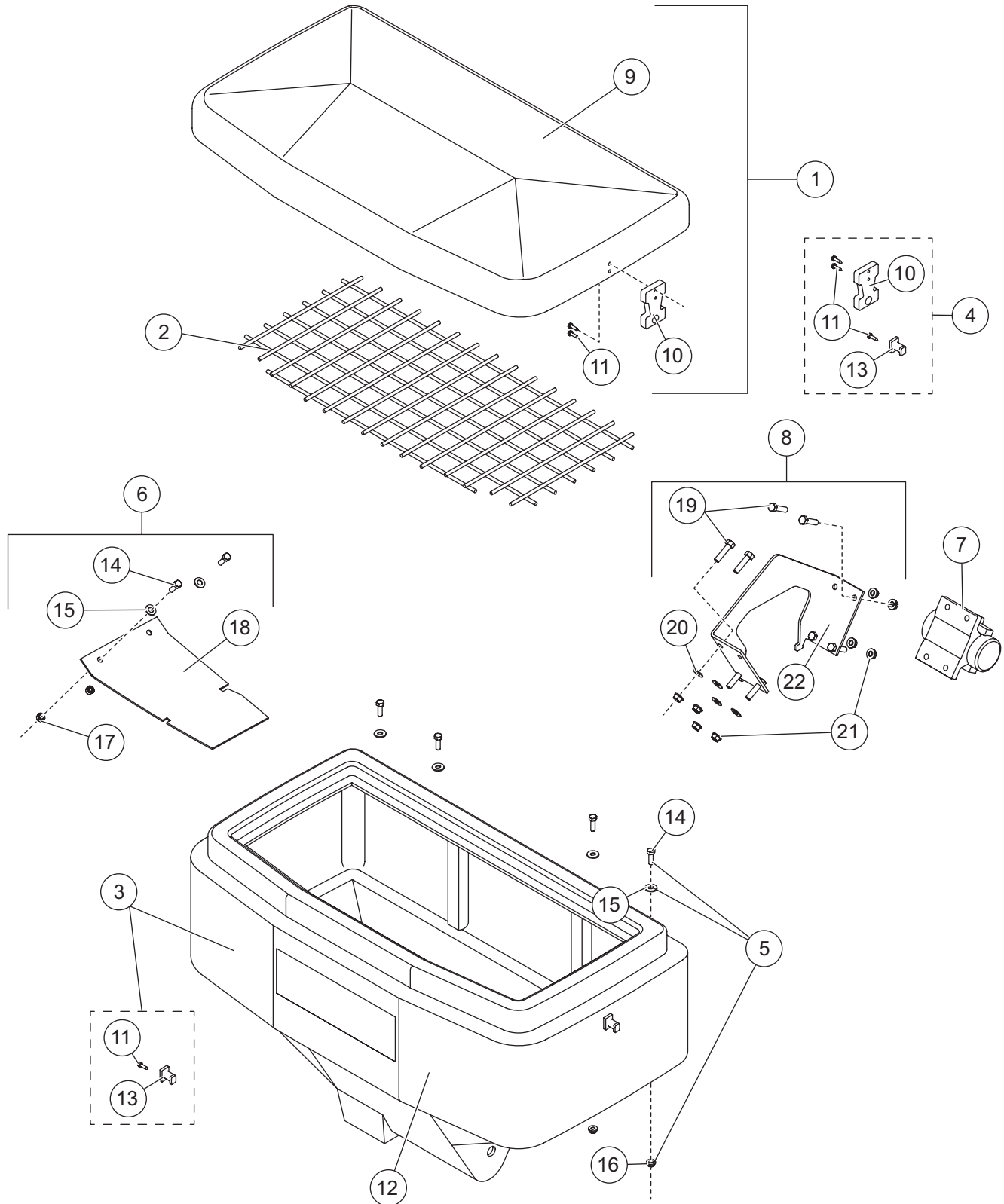
## Parts List



This parts list is for SnowEx® SP-1575 spreaders with serial numbers beginning 141114 and higher and SP-1875 spreaders with serial numbers beginning 141112 and higher.

# SP-1575 BULK PRO TAILGATE SPREADER

## HOPPER, VIBRATOR & BAFFLE

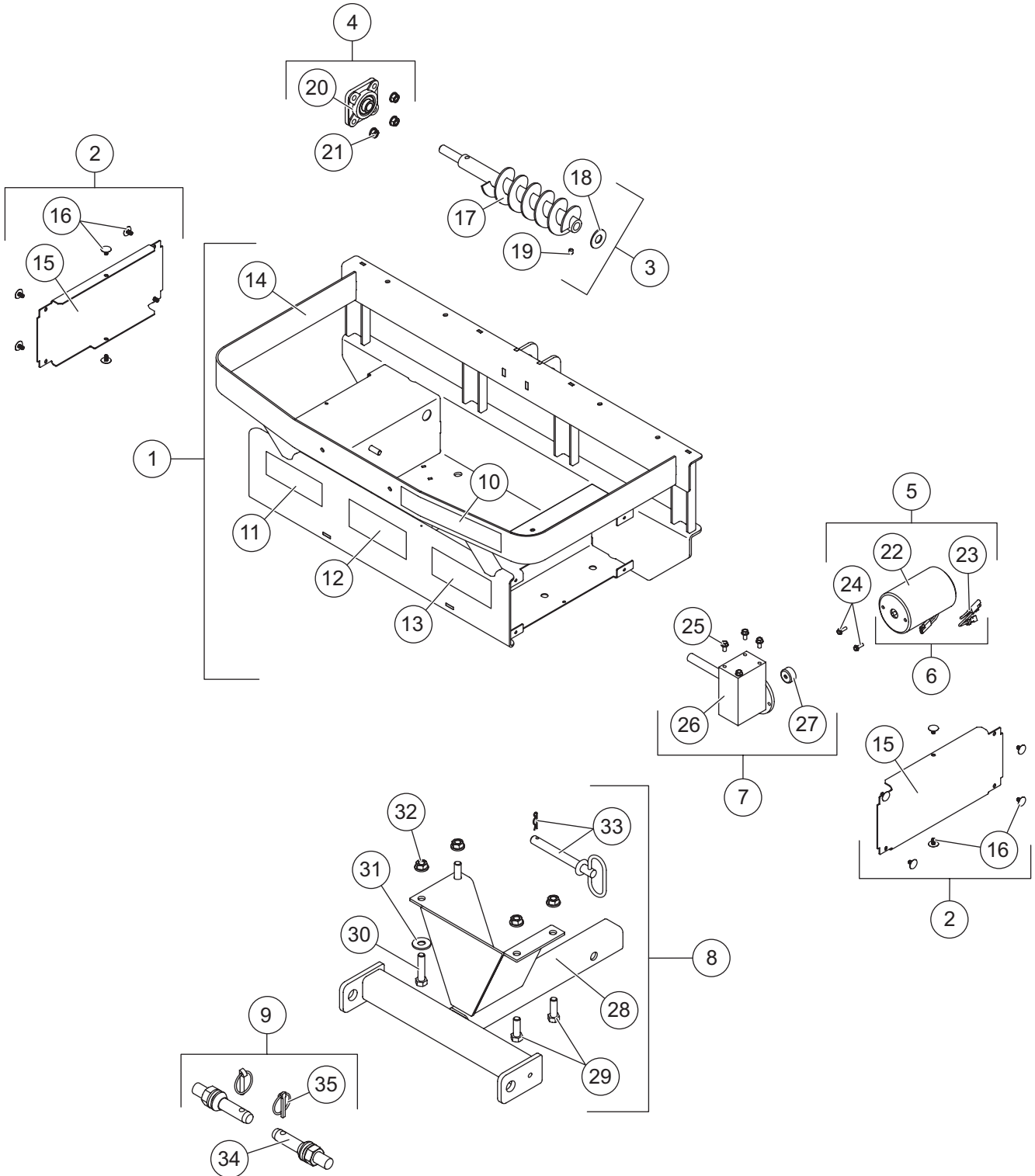


## SP-1575 BULK PRO TAILGATE SPREADER

<b>Hopper, Vibrator &amp; Baffle</b>							
<b>Item</b>	<b>Part</b>	<b>Qty</b>	<b>Description</b>	<b>Item</b>	<b>Part</b>	<b>Qty</b>	<b>Description</b>
1	75630	1	Lid Kit SP-1575	5	75659	1	Hopper Hardware Kit SP-1575
2	75655	1	Top Screen 30 x 14	6	75657	1	Baffle Kit SP-1575
3	75652	1	Hopper Kit SP-1575	7	75673	1	Vibrator – DC-80
4	75612	1	Hopper Strap Kit	8	75658	1	Vibrator Mount Kit
<b>Item 1</b>				<b>75630 Lid Kit SP-1575</b>			
9		1	Lid Assembly	11		4	#10 x 3/4 HWH Slotted Cap Screw
10	D6105	2	Flexible Draw Latch				
<b>Item 3</b>				<b>75652 Hopper Kit SP-1575</b>			
11		2	#10 x 3/4 HWH Slotted Cap Screw	13	D6198	2	Latch Keeper
12		1	Hopper 5.25 cu ft – Yellow				
<b>Item 4</b>				<b>75612 Hopper Strap Kit</b>			
10	D6105	2	Flexible Draw Latch	13	D6198	2	Latch Keeper
11		6	#10 x 3/4 HWH Slotted Cap Screw				
<b>Item 5</b>				<b>75659 Hopper Hardware Kit SP-1575</b>			
14		4	5/16-18 x 1 Hex Cap Screw	16		4	5/16-18 Serrated Flange Nut
15		4	5/16 Flat Washer				
<b>Item 6</b>				<b>75657 Baffle Kit</b>			
14		2	5/16-18 x 1 Hex Cap Screw	17		2	5/16-18 Hex Locknut Ext. Tooth GB
15		2	3/8 Flat Washer SS	18		1	Material Baffle SP-1575
<b>Item 8</b>				<b>75658 Vibrator Mount Kit</b>			
19		8	3/8-16 x 1 Hex Cap Screw	21		8	3/8-16 Serrated Flange Nut
20		4	3/8 Flat Washer SS	22		1	Vibrator Mount Bracket
SS = Stainless Steel				G = Grade			

# SP-1575 BULK PRO TAILGATE SPREADER

## FRAME, AUGER & HITCH

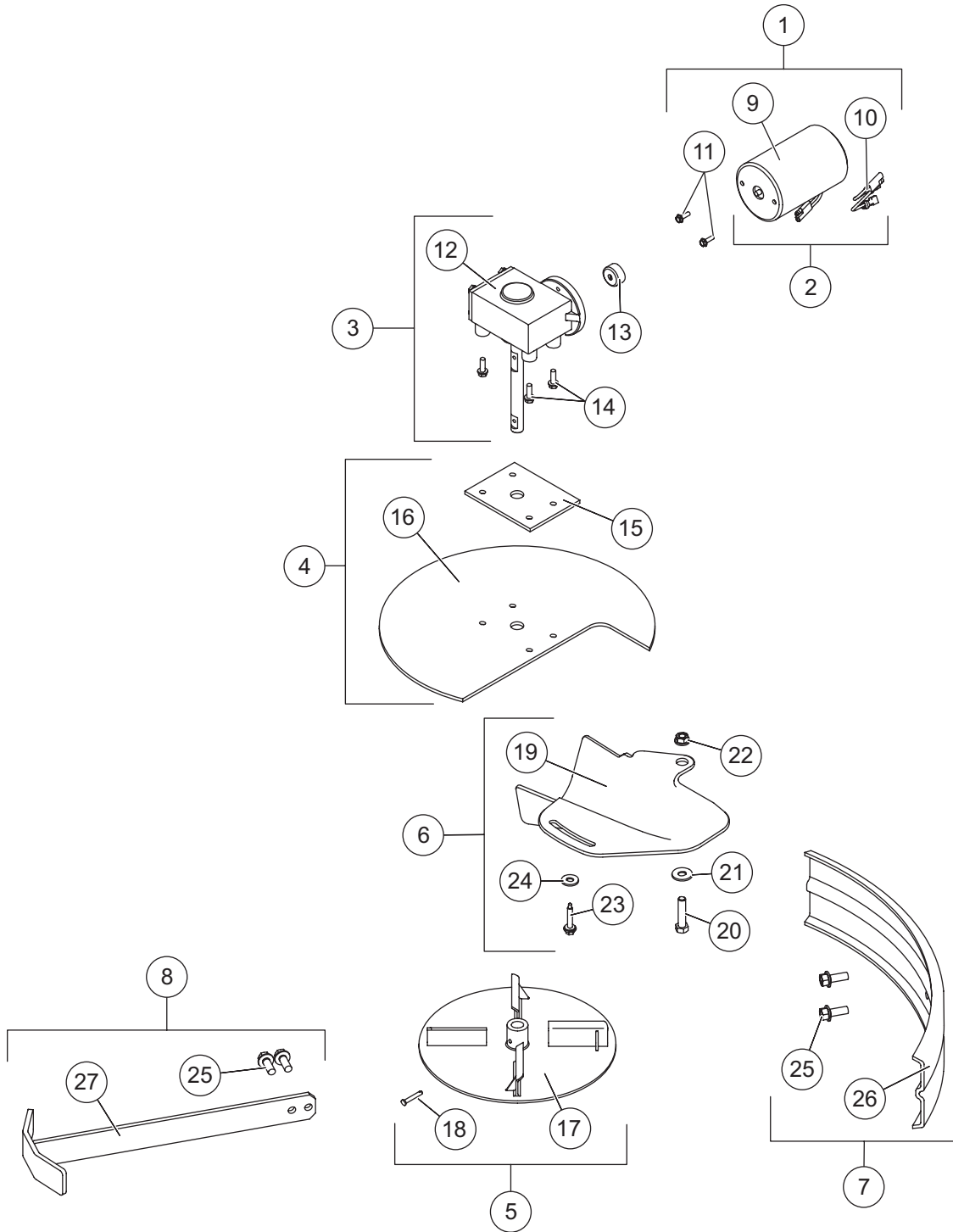


## SP-1575 BULK PRO TAILGATE SPREADER

Frame, Auger & Hitch							
Item	Part	Qty	Description	Item	Part	Qty	Description
1	75653	1	Frame Kit SP-1575	8	75654	1	Hitch Kit SP-1575
2	75667	2	Side Cover Kit SP-1575	9	75666	1	Lift Arm Pin Kit
3	75661	1	Auger Kit	10	75674	1	Label – Bulk Pro 1575
4	75660	1	Bearing Kit	11	75621	1	Label – Warning, Hands and Feet
5	75675	1	Motor Kit	12	75669	1	Label – Warning, Rotating Auger
6	D6320	1	Motor w/2-Pin Connector	13	75623	1	Label – Warning, Read Manual
7	75670	1	Auger Transmission Kit				
<b>Item 1</b>				<b>75653 Frame Kit SP-1575</b>			
10	75674	1	Label – Bulk Pro 1575	13	75623	1	Label – Warning, Read Manual
11	75621	1	Label – Warning, Hands and Feet	14		1	Main Frame SP-1575
12	75669	1	Label – Warning, Rotating Auger				
<b>Item 2</b>				<b>75667 Side Cover Kit SP-1575</b>			
15		1	Drive Cover SP-1575	16		6	1/4 x 3/4 x 1/2 Push Retainer Nylon
<b>Item 3</b>				<b>75661 Auger Kit</b>			
17	D5105	1	2-5/8 x 14 x 1-3/8 Auger	19	D6140	1	5/16-18 x 3/8 Socket Head Set Screw
18		1	5/8 Flat Washer Nylon				
<b>Item 4</b>				<b>75660 Bearing Kit</b>			
20	D6332	1	5/8 Bearing 4-Bolt Flange	21		4	3/8-16 Serrated Flange Nut
<b>Item 5</b>				<b>75675 Motor Kit</b>			
22	D6214	1	Motor 12V DC, 3 x 3.8	24		2	#10-32 x 5/8 Hex Cap Screw Serrated Flange w/Patch
23	D6651	1	Motor Connector Adapter				
<b>Item 6</b>				<b>D6320 Motor w/2-Pin Connector</b>			
22	D6214	1	Motor 12V DC, 3 x 3.8	23	D6651	1	Motor Connector Adapter
<b>Item 7</b>				<b>75670 Auger Transmission Kit</b>			
25		4	1/4-20 x 1/2 Hex Cap Screw Serrated Flange SS	26	D6566	1	Transmission 30:1 Worm Gear
				27	D6232	1	Motor Drive Coupler
<b>Item 8</b>				<b>75654 Receiver Hitch Kit SP-1575</b>			
28		1	2" Receiver Hitch	31		1	1/2 Flat Washer, Hardened
29		3	1/2-13 x 1 Hex Cap Screw	32		4	1/2-13 Serrated Flange Nut
30		1	1/2-13 x 1-1/2 Hex Cap Screw	33	75620	1	Hitch Pin with Cotter
<b>Item 9</b>				<b>75666 Lift Arm Pin Kit</b>			
34		2	7/8 x 5-1/2 Lift Arm Pin	35		2	5/16 x 1-9/16 Linch Pin
SS = Stainless Steel							

# SP-1575 BULK PRO TAILGATE SPREADER

## SPINNER ASSEMBLY & MATERIAL CHUTE

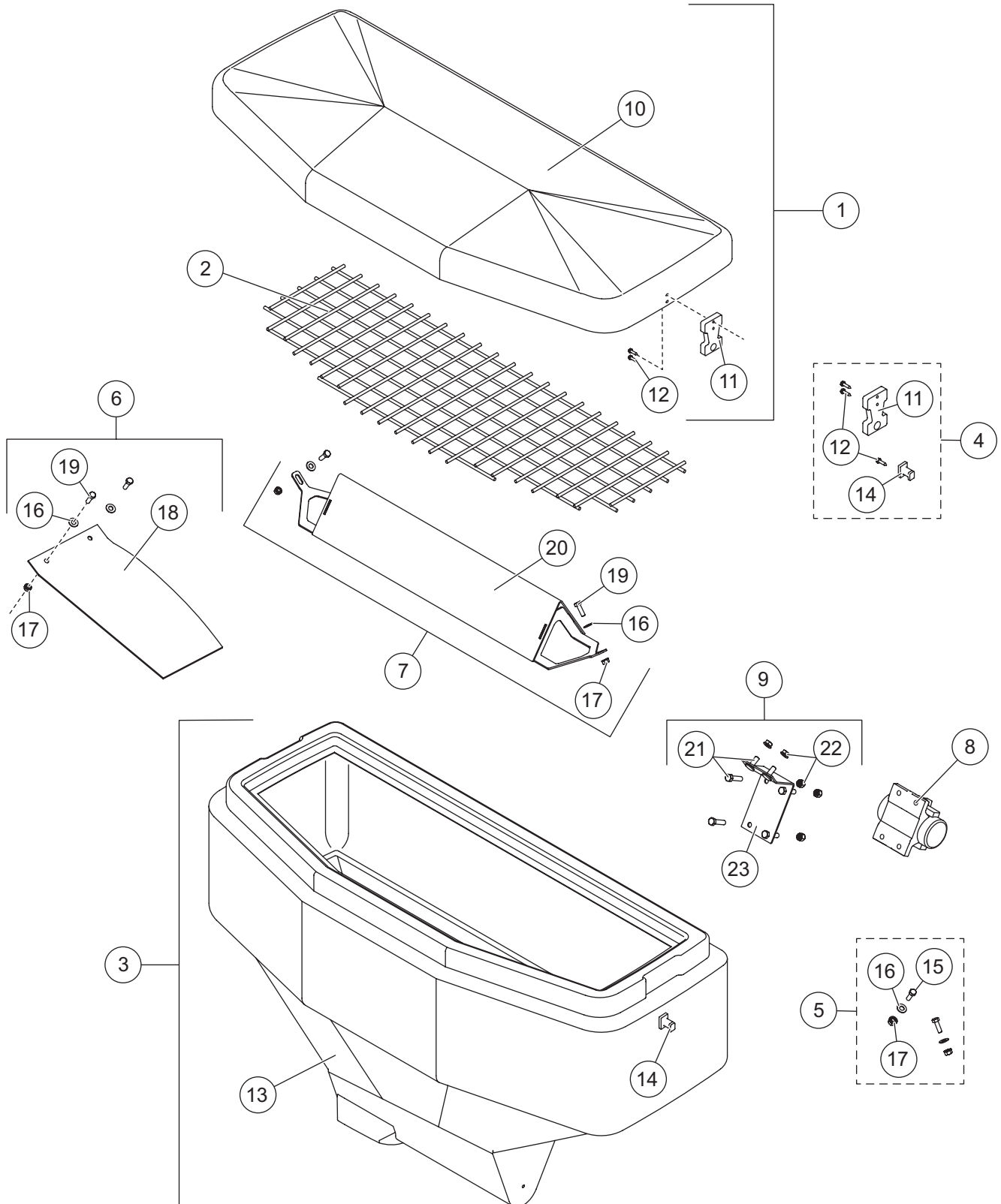


## SP-1575 BULK PRO TAILGATE SPREADER

<b>Spinner Assembly &amp; Material Chute</b>							
<b>Item</b>	<b>Part</b>	<b>Qty</b>	<b>Description</b>	<b>Item</b>	<b>Part</b>	<b>Qty</b>	<b>Description</b>
1	75675	1	Motor Kit	5	75618	1	Spinner Kit
2	D6320	1	Motor w/2-Pin Connector	6	75662	1	Material Chute Kit
3	75640	1	Spinner Transmission Kit	7	75665	1	Deflector Kit
4	75663	1	CE Guard Kit	8	75672	1	Protector Foot Kit
<b>Item 1</b>				<b>75675 Motor Kit</b>			
9	D6214	1	Motor 12V DC, 3 x 3.8	11		2	#10-32 x 5/8 Hex Cap Screw Serrated Flange w/Patch
10	D6651	1	Motor Connector Adapter				
<b>Item 2</b>				<b>D6320 Motor w/2-Pin Connector</b>			
9	D6214	1	Motor 12V DC, 3 x 3.8	10	D6651	1	Motor Connector Adapter
<b>Item 3</b>				<b>75640 Spinner Transmission Kit</b>			
12	D6107	1	Transmission 8:1 Worm Gear	14	D6132	4	1/4-20 x 3/4 Hex Cap Screw Serrated Flange SS
13	D6232	1	Motor Drive Coupler				
<b>Item 4</b>				<b>75663 CE Guard Kit</b>			
15	D5139	1	CE Guard Spacer	16	D5138	1	CE Guard
<b>Item 5</b>				<b>75618 Spinner Kit</b>			
17	D6750	1	Spinner 10" Poly	18		1	3/16 x 1-1/4 Detent Clevis pin
<b>Item 6</b>				<b>75662 Material Chute Kit</b>			
19		1	Material Chute SP-1575	22		1	1/2-13 Serrated Flange Nut
20		1	1/2-13 x 1-1/2 Hex Cap Screw	23		1	1/4 x 1-1/2 Driller w/R-M Washer
21		1	1/2 Flat Washer, Hardened	24		1	5/16 Flat Washer
<b>Item 7</b>				<b>75665 Deflector Kit</b>			
25		2	3/8-16 x 1 Hex Cap Screw Serrated Flange Type F	26	D6327	1	Deflector
<b>Item 8</b>				<b>75672 Protector Foot Kit</b>			
25		2	3/8-16 x 1 Hex Cap Screw Serrated Flange Type F	27		1	Spinner Protector Foot
SS = Stainless Steel							

# SP-1875 BULK PRO TAILGATE SPREADER

## HOPPER, VIBRATOR & INVERTED VEE



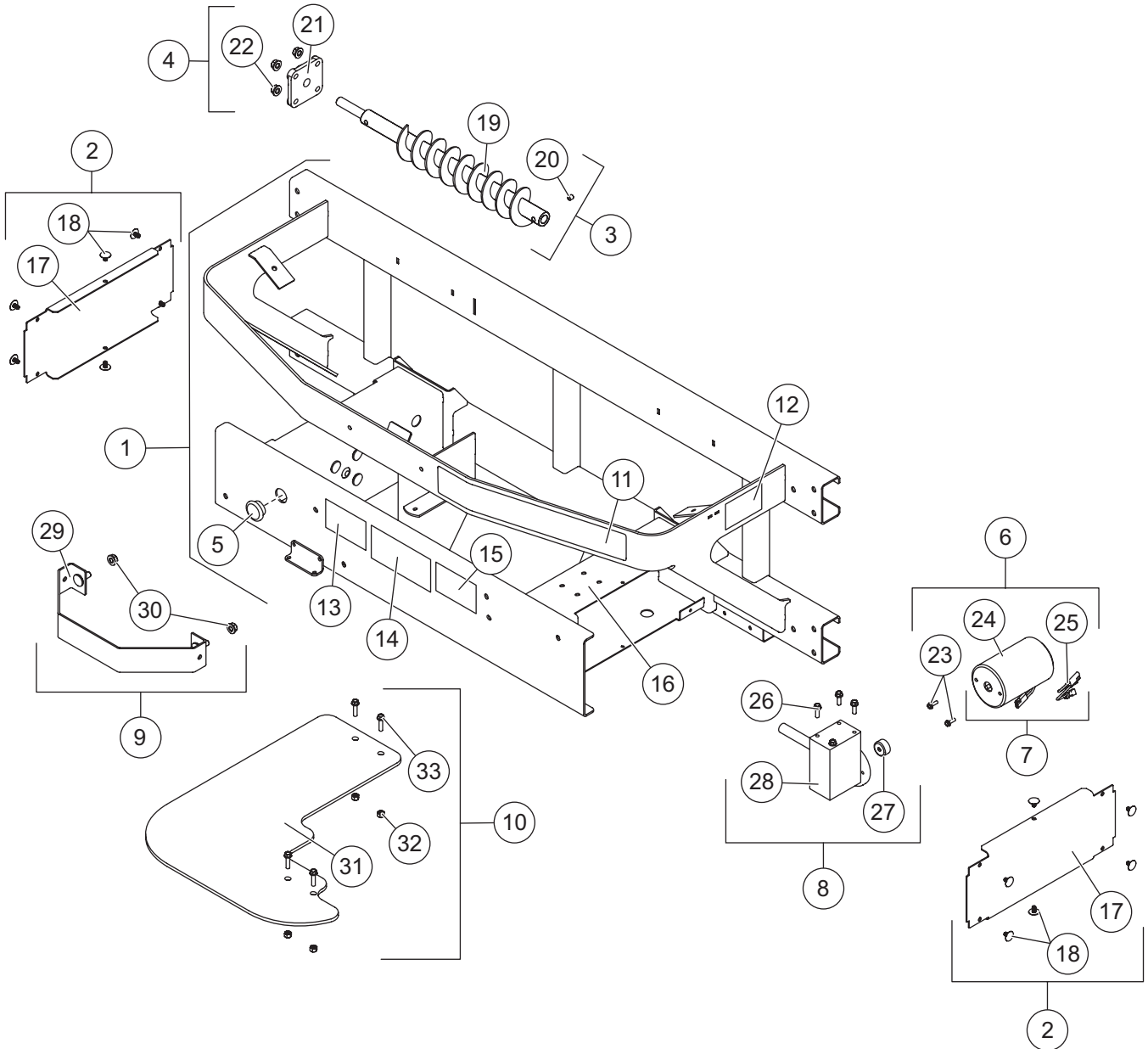


## SP-1875 BULK PRO TAILGATE SPREADER

<b>Hopper, Vibrator &amp; Inverted Vee</b>							
<b>Item</b>	<b>Part</b>	<b>Qty</b>	<b>Description</b>	<b>Item</b>	<b>Part</b>	<b>Qty</b>	<b>Description</b>
1	75677	1	Lid Kit SP-1875	6	75681	1	Baffle Kit SP-1875
2	75680	1	Top Screen 1875	7	75682	1	Inverted Vee Kit
3	75678	1	Hopper Kit SP-1875	8	75673	1	Vibrator – DC-80
4	75612	1	Hopper Strap Kit	9	75683	1	Vibrator Mount Bracket Kit
5	75614	1	Hopper Hardware Kit				
<b>Item 1</b>				<b>75677 Lid Kit SP-1875</b>			
10		1	Lid Assembly	12		4	#10 x 3/4 HWH Slotted Cap Screw
11	D6105	2	Flexible Draw Latch				
<b>Item 3</b>				<b>75678 Hopper Kit SP-1875</b>			
13		1	Hopper 8.75 cu ft – Yellow	ns		2	#10 x 3/4 HWH Slotted Cap Screw
13	D6198	2	Latch Keeper				
<b>Item 4</b>				<b>75612 Hopper Strap Kit</b>			
11	D6105	2	Flexible Draw Latch	14	D6198	2	Latch Keeper
12		6	#10 x 3/4 HWH Slotted Cap Screw				
<b>Item 5</b>				<b>75614 Hopper Hardware Kit SP-1875</b>			
15		2	5/16-18 x 1-1/4 Hex Cap Screw	17		2	5/16-18 Hex Locknut Ext. Tooth GB
16		2	3/8 Flat Washer				
<b>Item 6</b>				<b>75681 Baffle Kit SP-1875</b>			
16		2	3/8 Flat Washer SS	18		1	Material Baffle SP-1875
17		2	5/16-18 Hex Locknut Ext. Tooth GB	19		2	5/16-18 x 1 Hex Cap Screw
<b>Item 7</b>				<b>75682 Inverted Vee Kit</b>			
16		2	3/8 Flat Washer SS	19		2	5/16-18 x 1 Hex Cap Screw
17		2	5/16-18 Hex Locknut Ext. Tooth GB	20		1	Inverted Vee
<b>Item 9</b>				<b>75683 Vibrator Mount Bracket Kit</b>			
21		6	3/8-16 x 1 Hex Cap Screw	23		1	Mounting Bracket, Inverted Vee
22		6	3/8-16 Serrated Flange Nut				
SS = Stainless Steel				G = Grade			

# SP-1875 BULK PRO TAILGATE SPREADER

## FRAME, AUGER & SPINNER GUARD

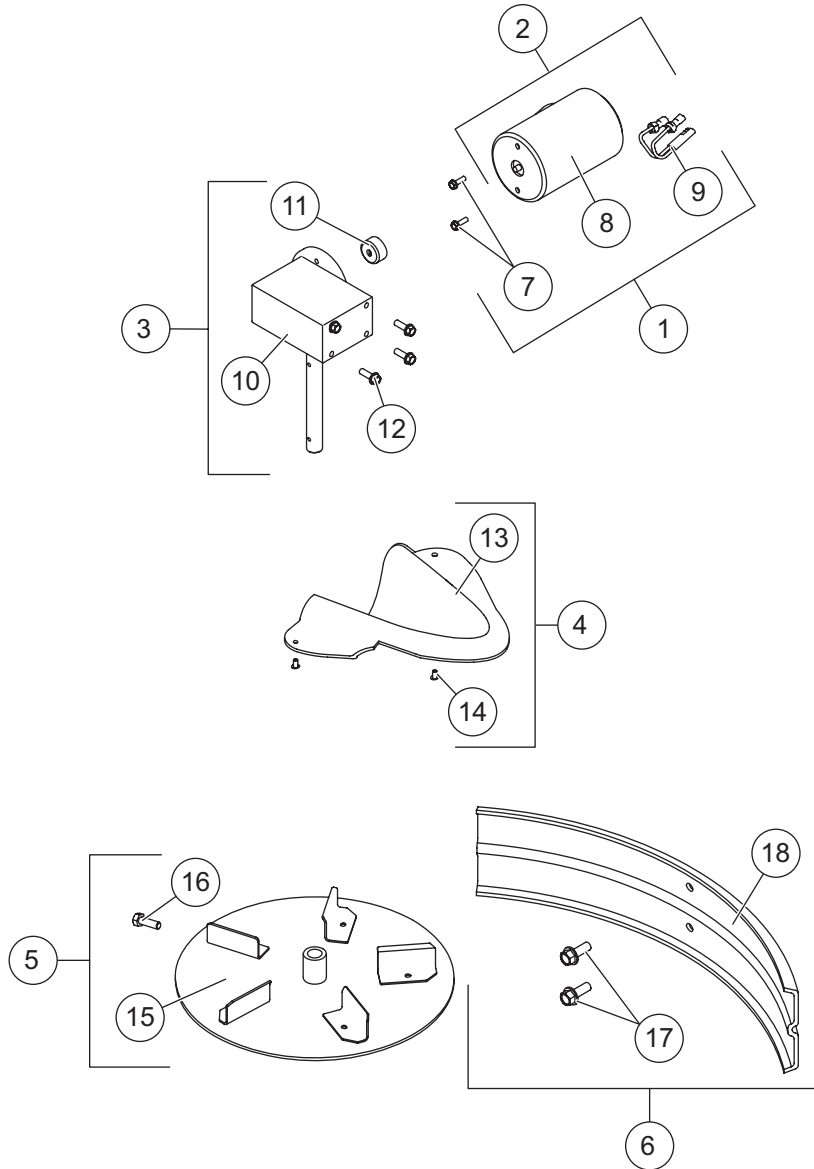


## SP-1875 BULK PRO TAILGATE SPREADER

<b>Frame, Auger &amp; Spinner Guard</b>							
<b>Item</b>	<b>Part</b>	<b>Qty</b>	<b>Description</b>	<b>Item</b>	<b>Part</b>	<b>Qty</b>	<b>Description</b>
1	75684	1	Frame Kit SP-1875	9	75688	1	Trim Ring Kit
2	75687	2	Side Cover Kit SP-1875	10	75690	1	Spinner Guard Kit
3	75679	1	Auger Kit SP-1875	11	75693	1	Label – Bulk Pro 1875
4	75660	1	Bearing Kit	12	75694	1	Label – Warning, Never Swing Spdr.
5	75689	1	Bearing Access Cover	13	75621	1	Label – Warning, Hands and Feet
6	75675	1	Motor Kit – Auger	14	75669	1	Label – Warning, Rotating Auger
7	D6320	1	Motor w/2-Pin Connector – Auger	15	75623	1	Label – Warning, Read Manual
8	75692	1	Auger Transmission Kit SP-1875				
<b>Item 1</b>				<b>75684 Frame Kit SP-1875</b>			
5	75689	1	Bearing Access Cover	14	75669	1	Label – Warning, Rotating Auger
11	75693	1	Label – Bulk Pro 1875	15	75623	1	Label – Warning, Read Manual
12	75694	1	Label – Warning, Never Swing Spdr.	16		1	Main Frame SP-1875
13	75621	1	Label – Warning, Hands and Feet				
<b>Item 2</b>				<b>75687 Side Cover Kit SP-1575</b>			
17		1	Drive Cover SP-1875	18		6	1/4 x 3/4 x 1/2 Push Retainer Nylon
<b>Item 3</b>				<b>75679 Auger Kit SP-1575</b>			
19	D6315	1	2-5/8 x 20 x 1-3/8 Auger	20		1	5/16-18 x 3/8 Socket Head Set Screw
<b>Item 4</b>				<b>75660 Bearing Kit</b>			
21	D6332	1	5/8 Bearing 4-Bolt Flange	22		4	3/8-16 Serrated Flange Nut
<b>Item 6</b>				<b>75675 Motor Kit – Auger</b>			
23		2	#10-32 x 5/8 Hex Cap Screw Serrated Flange w/Patch	24	D6214	1	Motor 12V DC, 3 x 3.8
				25	D6651	1	Motor Connector Adapter
<b>Item 7</b>				<b>D6320 Motor w/2-Pin Connector – Auger</b>			
24	D6214	1	Motor 12V DC, 3 x 3.8	25	D6651	1	Motor Connector Adapter
<b>Item 8</b>				<b>75692 Auger Transmission Kit SP-1875</b>			
26		4	1/4-20 x 3/4 Cap Screw Serrated Flange SS	27	D6232	1	Motor Drive Coupler
				28		1	Transmission 20:1 Worm Gear
<b>Item 9</b>				<b>75688 Trim Ring Kit</b>			
29		1	Trim Ring	30		2	3/8-16 Serrated Flange Nut
<b>Item 10</b>				<b>75690 Spinner Guard Kit</b>			
31		1	Spinner Guard	33		4	1/4-20 x 1 Hex Cap Screw Serrated Flange SS
32		4	1/4-20 Locknut				
SS = Stainless Steel							

# SP-1875 BULK PRO TAILGATE SPREADER

## SPINNER, CHUTE & DEFLECTOR

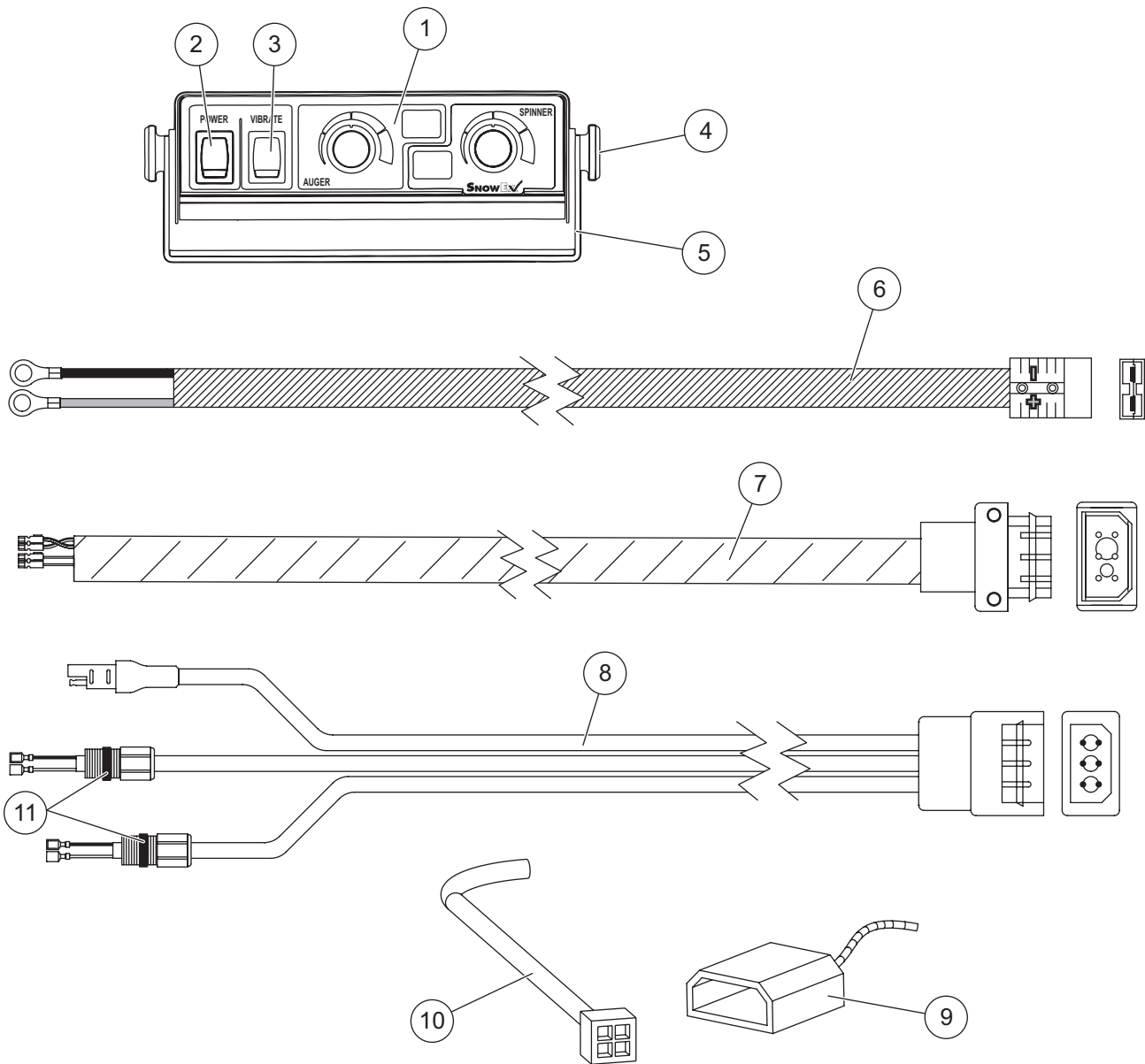


## SP-1875 BULK PRO TAILGATE SPREADER

<b>Spinner, Chute &amp; Deflector</b>							
<b>Item</b>	<b>Part</b>	<b>Qty</b>	<b>Description</b>	<b>Item</b>	<b>Part</b>	<b>Qty</b>	<b>Description</b>
1	75626	1	Motor Kit – Spinner	4	75691	1	Material Chute Kit SP-1875
2	D6106	1	Motor w/2-Pin Connector – Spinner	5	75685	1	Spinner Kit SP-1875
3	75686	1	Spinner Transmission Kit	6	75665	1	Deflector Kit
<b>Item 1</b>				<b>75626 Motor Kit – Spinner</b>			
7		2	1/4-20 x 3/4 Cap Screw Serrated Flange SS	8	D6214	1	Motor 12V DC, 3 x 3.8
				9	D6652	1	Motor Connector Adapter
<b>Item 2</b>				<b>D6106 Motor w/2-Pin Connector – Spinner</b>			
8	D6214	1	Motor 12V DC, 3 x 3.8	9	D6652	1	Motor Connector Adapter
<b>Item 3</b>				<b>75686 Spinner Transmission Kit</b>			
10		1	Transmission 8:1 Worm Gear	12		4	1/4-20 x 3/4 Cap Screw Serrated Flange SS
11	D6232	1	Motor Drive Coupler				
<b>Item 4</b>				<b>75691 Material Chute Kit SP-1875</b>			
13		1	Material Chute	14		2	3/16 x .354 Rivet – Black Aluminum
<b>Item 5</b>				<b>75685 Spinner Kit SP-1875</b>			
15		1	Spinner 12" Steel	16		1	5/16-18 x 1/2 Hex Cap Screw
<b>Item 6</b>				<b>75665 Deflector Kit</b>			
17		2	3/8-16 x 1 Hex Cap Screw Serrated Flange Type F	18	D6327	1	Deflector
SS = Stainless Steel							

# SP-1575/SP-1875 BULK PRO TAILGATE SPREADER

## ELECTRICAL COMPONENTS



## SP-1575/SP-1875 BULK PRO TAILGATE SPREADER

Electrical Components							
Item	Part	Qty	Description	Item	Part	Qty	Description
1	D6527	1	Spreader Control (incl. Items 2 & 3)	7	D6322	1	Vehicle Harness 311"
2	D6237	1	Power Switch 5-Terminal	8	75676	1	Spreader Harness Kit
3	D6354	1	Vibrator Switch 3-Terminal	9	D6343	1	Dust Cover
4	D6124	2	Bracket Knob	10	D6170	1	Anderson Connector Adapter 6"
5	D6329	1	Control Mounting Bracket	ns	D6344	1	Dielectric Grease 1-1/2 oz
6	D6341	1	Control Power Cable 38"				
<b>Item 8</b>				<b>75676 Spreader Harness Kit</b>			
		1	Spreader Harness	11		2	1/2 Nut NPT Black Nylon
ns = not shown							



531 Ajax Drive  
Madison Heights, MI 48071-2429  
[www.snowexproducts.com](http://www.snowexproducts.com)

 A DIVISION OF DOUGLAS DYNAMICS, LLC

Copyright © 2014 Douglas Dynamics, LLC. All rights reserved. This material may not be reproduced or copied, in whole or in part, in any printed, mechanical, electronic, film or other distribution and storage media, without the written consent of TrynEx International. Authorization to photocopy items for internal or personal use by TrynEx International outlets or spreader owner is granted.

TrynEx International reserves the right under its product improvement policy to change construction or design details and furnish equipment when so altered without reference to illustrations or specifications used. TrynEx International or the vehicle manufacturer may require or recommend optional equipment for spreaders. Do not exceed vehicle ratings with a spreader. TrynEx International offers a limited warranty for all spreaders and accessories. See separately printed page for this important information. The following are registered (®) or unregistered (™) trademarks of Douglas Dynamics, LLC: SnowEx®, TrynEx®.

**Printed in U.S.A.**