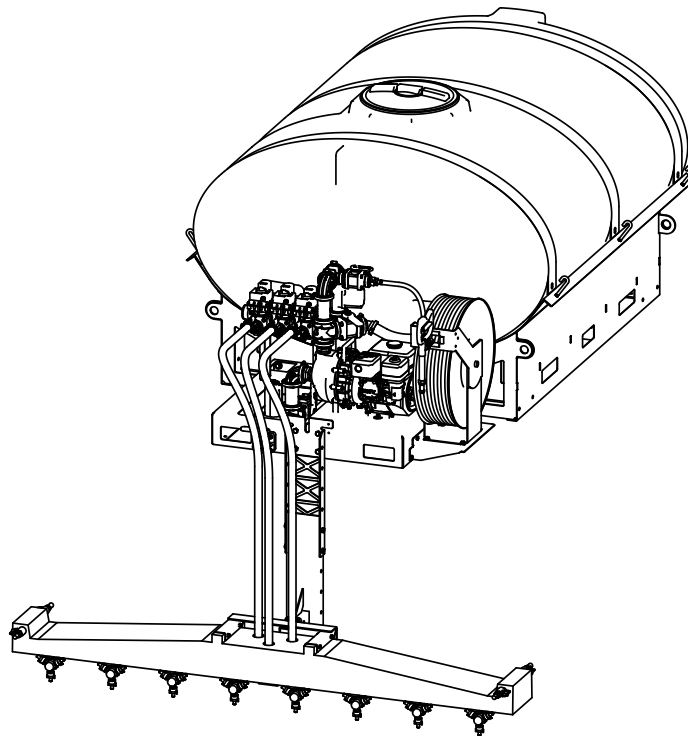




Liqui Maxx™ Sprayer Systems

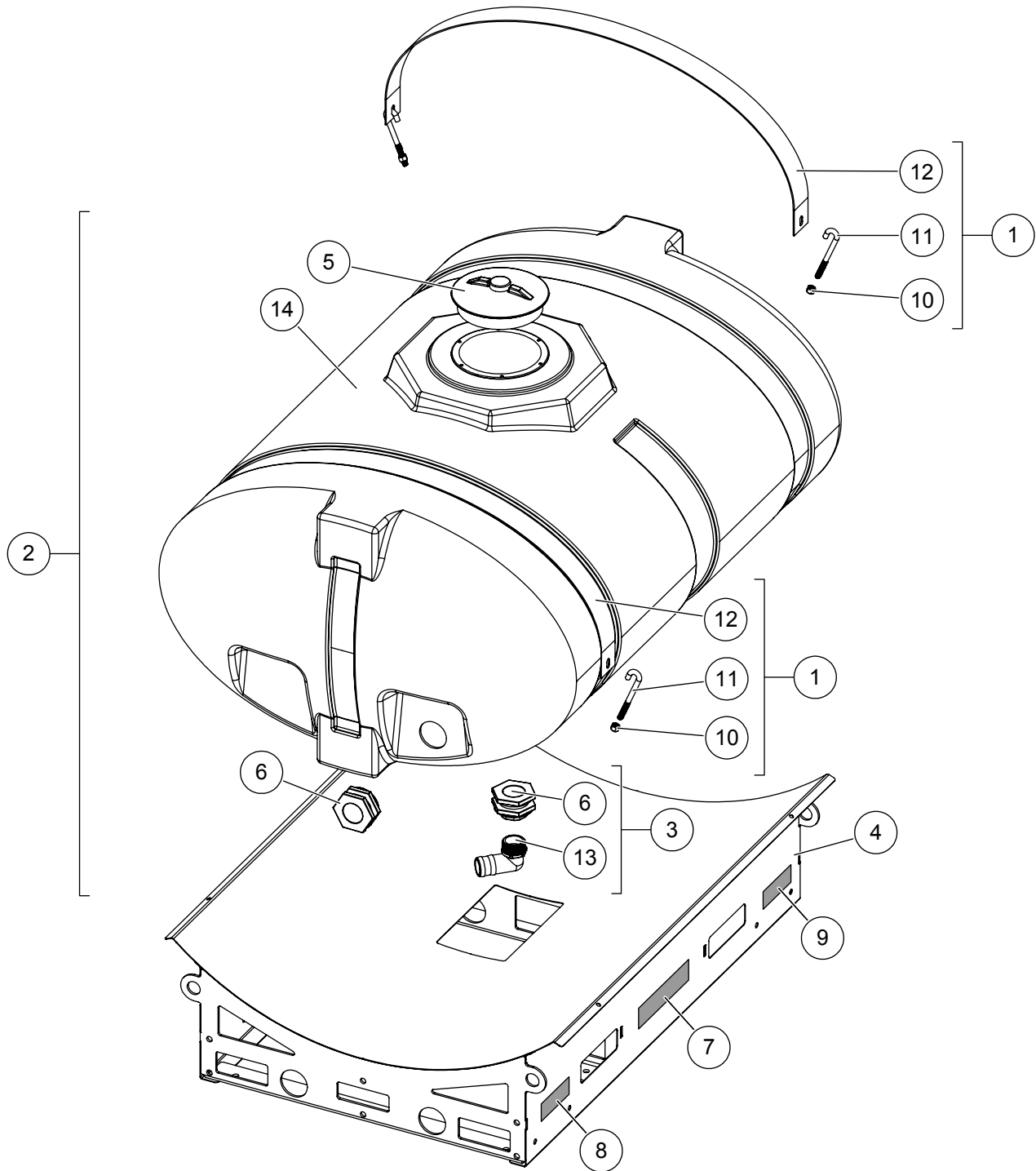
Parts List



This Parts List is for Liqui Maxx equipment with serial numbers beginning with 141107 and higher.

TSA-300 TANK PLATFORM

TANK AND SKID ASSEMBLY

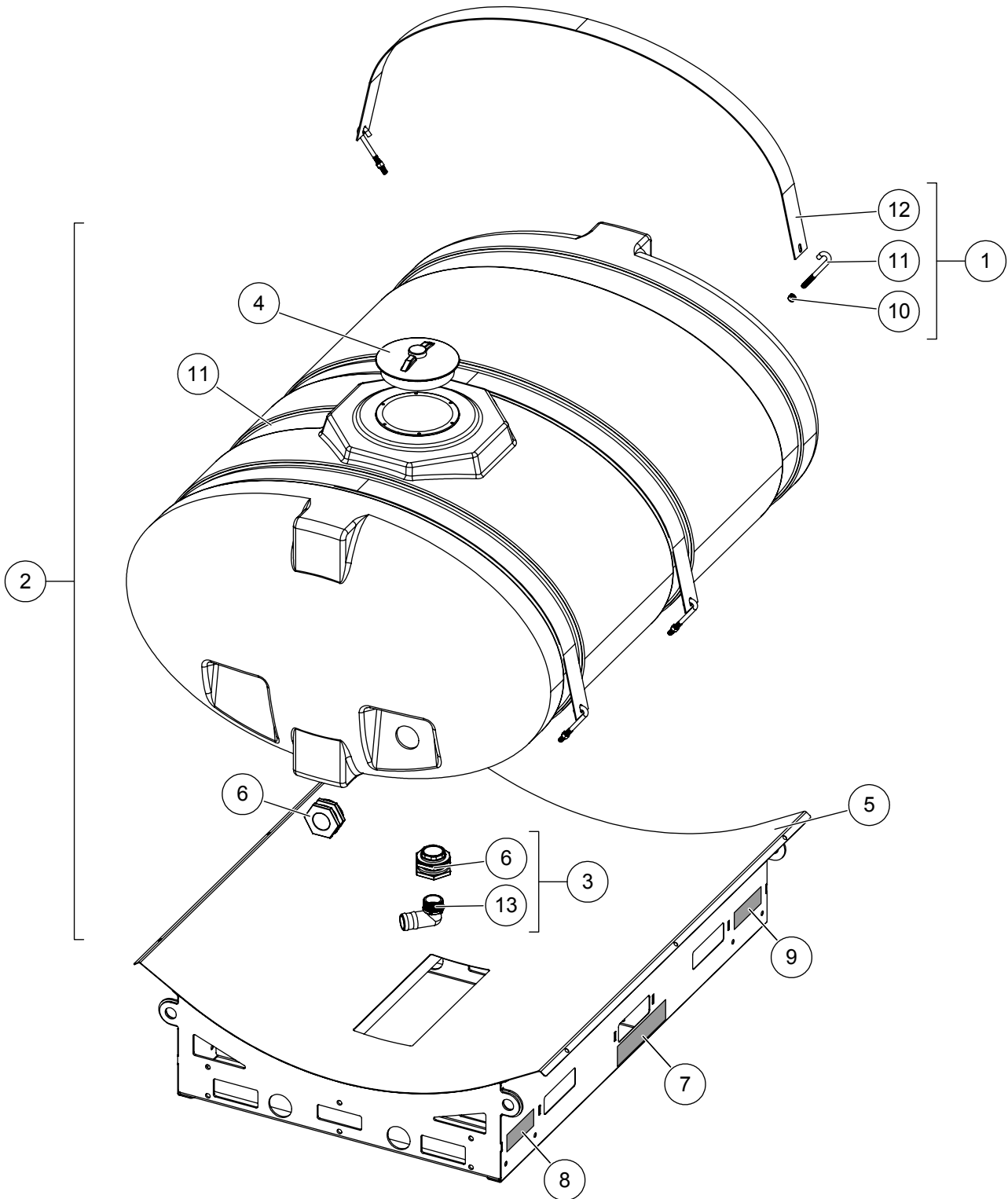


TSA-300 TANK PLATFORM

Tank and Skid Assembly							
Item	Part	Qty	Description	Item	Part	Qty	Description
1	76131	2	Tank Strap Kit, 300 Gal	6	D5184	2	Bulkhead Coupling
2	76123	1	Tank Kit, 300 Gal	7	10807	2	Label, Liqui Maxx™
3	76130	1	Hose Barb & Bulkhead Kit, Outlet	8	10817	2	Label, Warning Safety Goggles
4	F51606	1	Tank Base, 300 Gal	9	10818	2	Label, Warning GVWR Vehicle
5	76127	1	Tank Lid, 8"				
Item 1				76131 Tank Strap Kit, 300 Gal			
10		2	1/2-13 Hex Locknut G5	12		1	Tank Strap, 300 Gal
11		2	1/2-13 J-Hook Anchor Bolt				
Item 2				76123 Tank Kit, 300 Gal			
5	76127	1	Tank Lid, 8"	13	D5190	1	Hose Barb, 2 NPT x 2"
6	D5184	2	Bulkhead Coupling	14		1	Tank, Elliptical 300 Gal
Item 3				76130 Hose Barb & Bulkhead Kit, Outlet			
6	D5184	1	Bulkhead Coupling	13	D5190	1	Hose Barb, 2 NPT x 2"
G = Grade							

TSA-500 TANK PLATFORM

TANK AND SKID ASSEMBLY

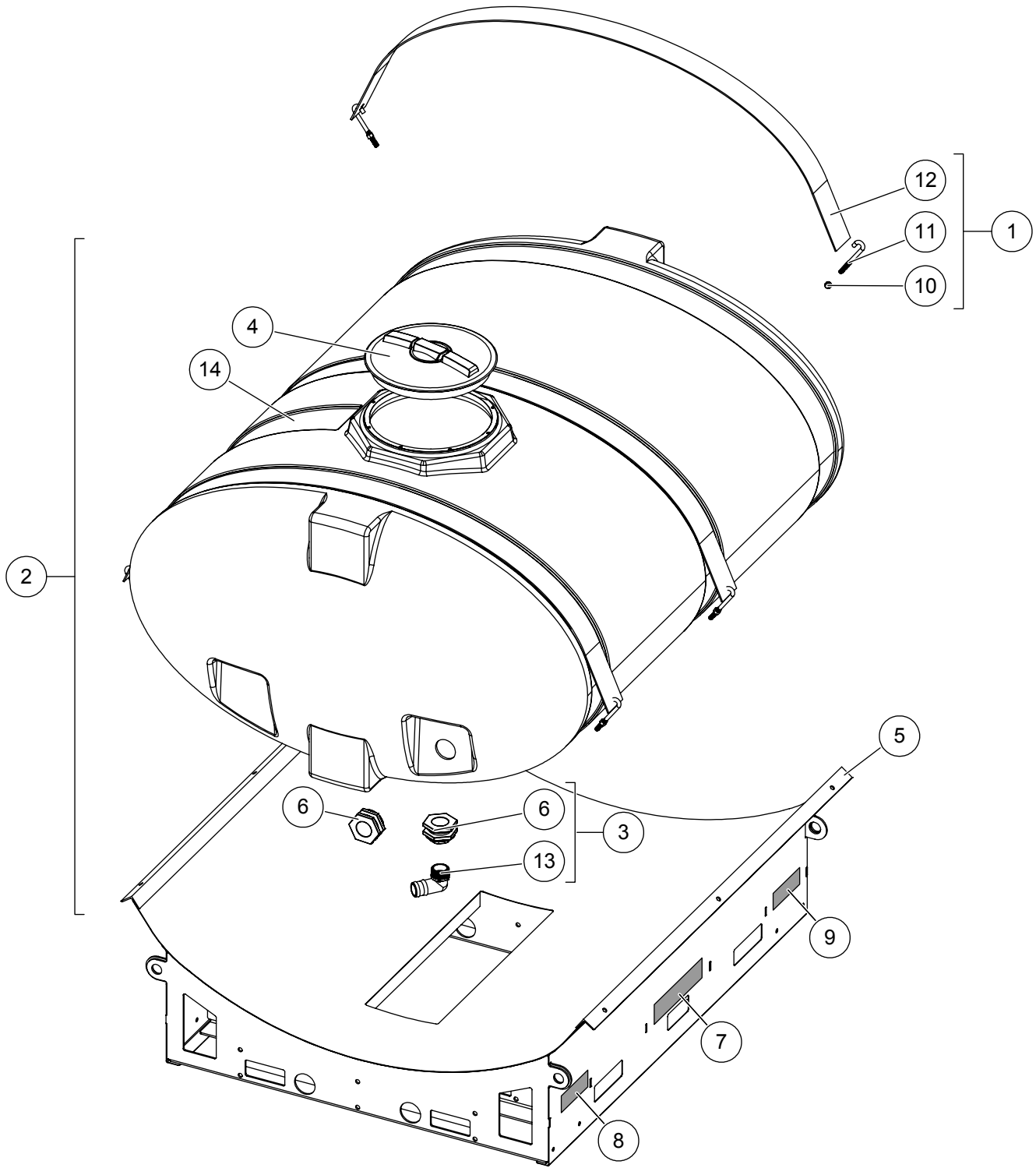


TSA-500 TANK PLATFORM

Tank and Skid Assembly							
Item	Part	Qty	Description	Item	Part	Qty	Description
1	76132	3	Tank Strap Kit, 500 Gal	6	D5184	2	Bulkhead Coupling
2	76124	1	Tank Kit, 500 Gal	7	10808	2	Label, Liqui Maxx™
3	76130	1	Hose Barb & Bulkhead Kit, Outlet	8	10817	2	Label, Warning Safety Goggles
4	76127	1	Tank Lid, 8"	9	10818	2	Label, Warning GVWR Vehicle
5	F51610	1	Tank Base, 500 Gal				
Item 1				76132 Tank Strap Kit, 500 Gal			
10		2	1/2-13 Hex Locknut G5	12		1	Tank Strap, 500 Gal
11		2	1/2-13 J-Hook Anchor Bolt				
Item 2				76124 Tank Kit, 500 Gal			
4	76127	1	Tank Lid, 8"	13	D5190	1	Hose Barb, 2 NPT x 2"
6	D5184	2	Bulkhead Coupling	14		1	Tank, Elliptical 500 Gal
Item 3				76130 Hose Barb & Bulkhead Kit, Outlet			
6	D5184	1	Bulkhead Coupling	13	D5190	1	Hose Barb, 2 NPT x 2"
G = Grade							

TSA-750 TANK PLATFORM

TANK AND SKID ASSEMBLY

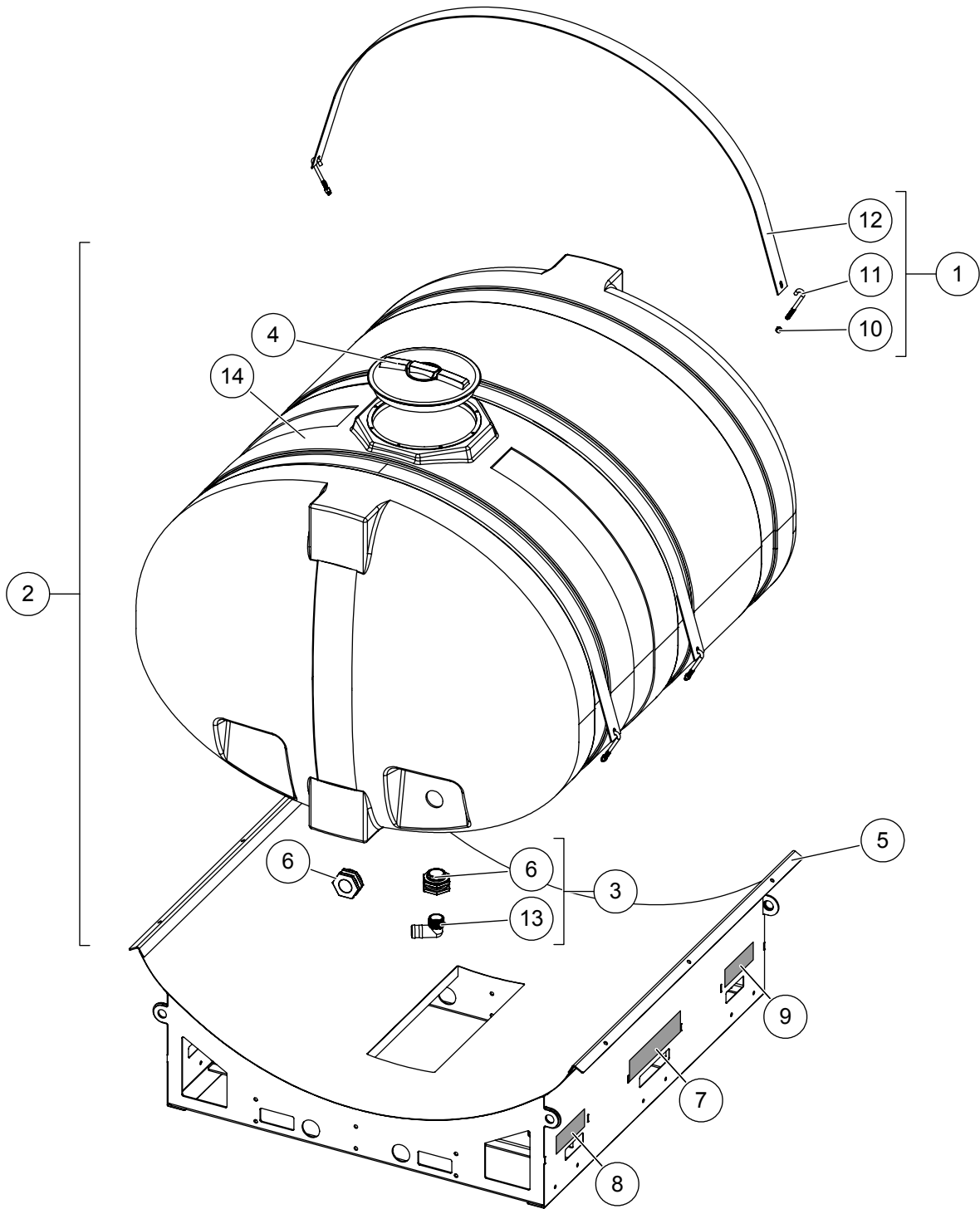


TSA-750 TANK PLATFORM

Tank and Skid Assembly							
Item	Part	Qty	Description	Item	Part	Qty	Description
1	76133	3	Tank Strap Kit, 750 Gal	6	D5184	2	Bulkhead Coupling
2	76125	1	Tank Kit, 750 Gal	7	10808	2	Label, Liqui Maxx™
3	76130	1	Hose Barb & Bulkhead Kit, Outlet	8	10817	2	Label, Warning Safety Goggles
4	76128	1	Tank Lid, 16"	9	10818	2	Label, Warning GVWR Vehicle
5	F51598	1	Tank Base, 750 Gal				
Item 1				76133 Tank Strap Kit, 750 Gal			
10		2	1/2-13 Hex Locknut G5	12		1	Tank Strap, 750 Gal
11		2	1/2-13 J-Hook Anchor Bolt				
Item 2				76125 Tank Kit, 750 Gal			
4	76128	1	Tank Lid, 16"	13	D5190	1	Hose Barb, 2 NPT x 2"
6	D5184	2	Bulkhead Coupling	14		1	Tank, Elliptical 750 Gal
Item 3				76130 Hose Barb & Bulkhead Kit, Outlet			
6	D5184	1	Bulkhead Coupling	13	D5190	1	Hose Barb, 2 NPT x 2"
G = Grade							

TSA-1250 TANK PLATFORM

TANK AND SKID ASSEMBLY

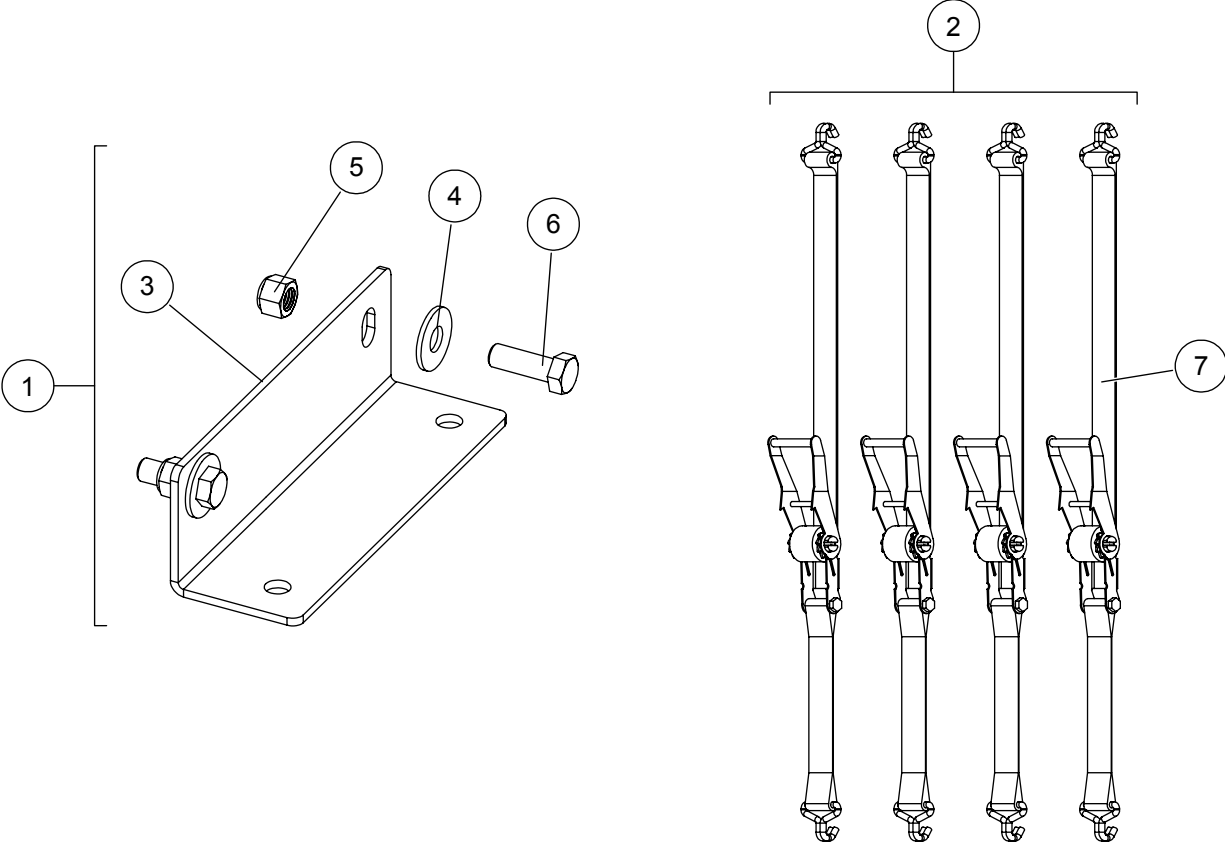


TSA-1250 TANK PLATFORM

Tank and Skid Assembly							
Item	Part	Qty	Description	Item	Part	Qty	Description
1	76134	3	Tank Strap Kit, 1250 Gal	6	D5184	2	Bulkhead Coupling
2	76126	1	Tank Kit, 1250 Gal	7	10808	2	Label, Liqui Maxx™
3	76130	1	Hose Barb & Bulkhead Kit, Outlet	8	10817	2	Label, Warning Safety Goggles
4	76128	1	Tank Lid, 16"	9	10818	2	Label, Warning GVWR Vehicle
5	F51614	1	Tank Base, 1250 Gal				
Item 1				76134 Tank Strap Kit, 1250 Gal			
10		2	1/2-13 Hex Locknut G5	12		1	Tank Strap, 1250 Gal
11		2	1/2-13 J-Hook Anchor Bolt				
Item 2				76126 Tank Kit, 1250 Gal			
4	76128	1	Tank Lid, 16"	13	D5190	1	Hose Barb, 2 NPT x 2"
6	D5184	2	Bulkhead Coupling	14		1	Tank, Elliptical 1250 Gal
Item 3				76130 Hose Barb & Bulkhead Kit, Outlet			
6	D5184	1	Bulkhead Coupling	13	D5190	1	Hose Barb, 2 NPT x 2"
G = Grade							

UMK-200 MOUNT KIT

BRACKETS, HARDWARE AND RATCHET STRAPS

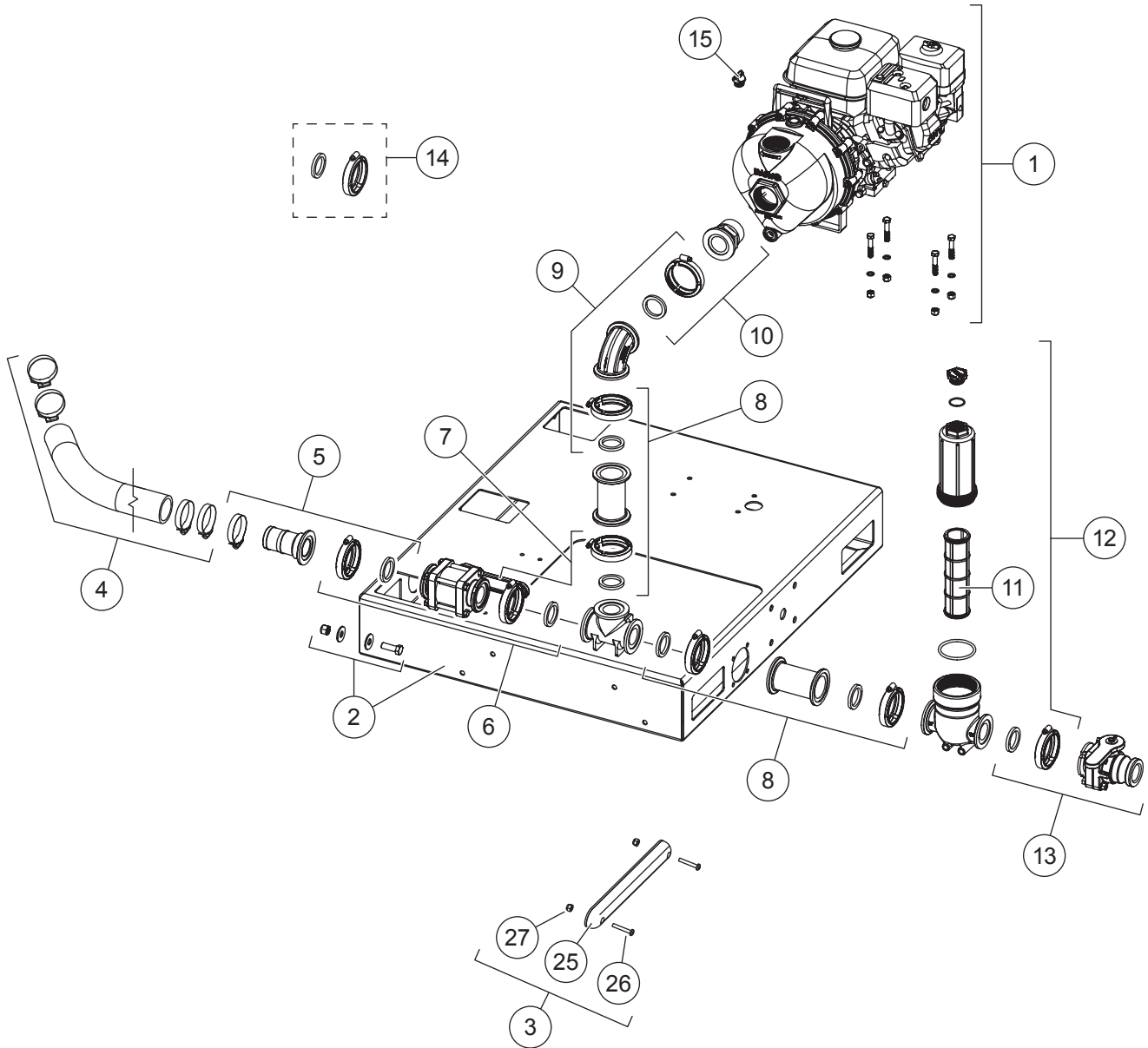


UMK-200 MOUNT KIT

Brackets, Hardware and Ratchet Straps							
Item	Part	Qty	Description	Item	Part	Qty	Description
1	76135	6	Replacement Bracket Kit, UMK-200	2	D6856-1	1	Ratchet Strap, 4PK
Item 1				76135 Replacement Bracket Kit, UMK-200			
3		1	Mounting Angle	5		2	1/2-13 Hex Locknut G5
4		2	1/2 Flat Washer	6		2	1/2-13 x 1-1/2 Hex Cap Screw G5
Item 2				D6856-1 Ratchet Strap, 4PK			
7		4	Ratchet Strap, 2" x 10', 3300 lbs				
G = Grade							

HFS-100 & HFD-200 PUMP PLATFORMS

BASE, PUMP AND INPUT PLUMBING ASSEMBLY

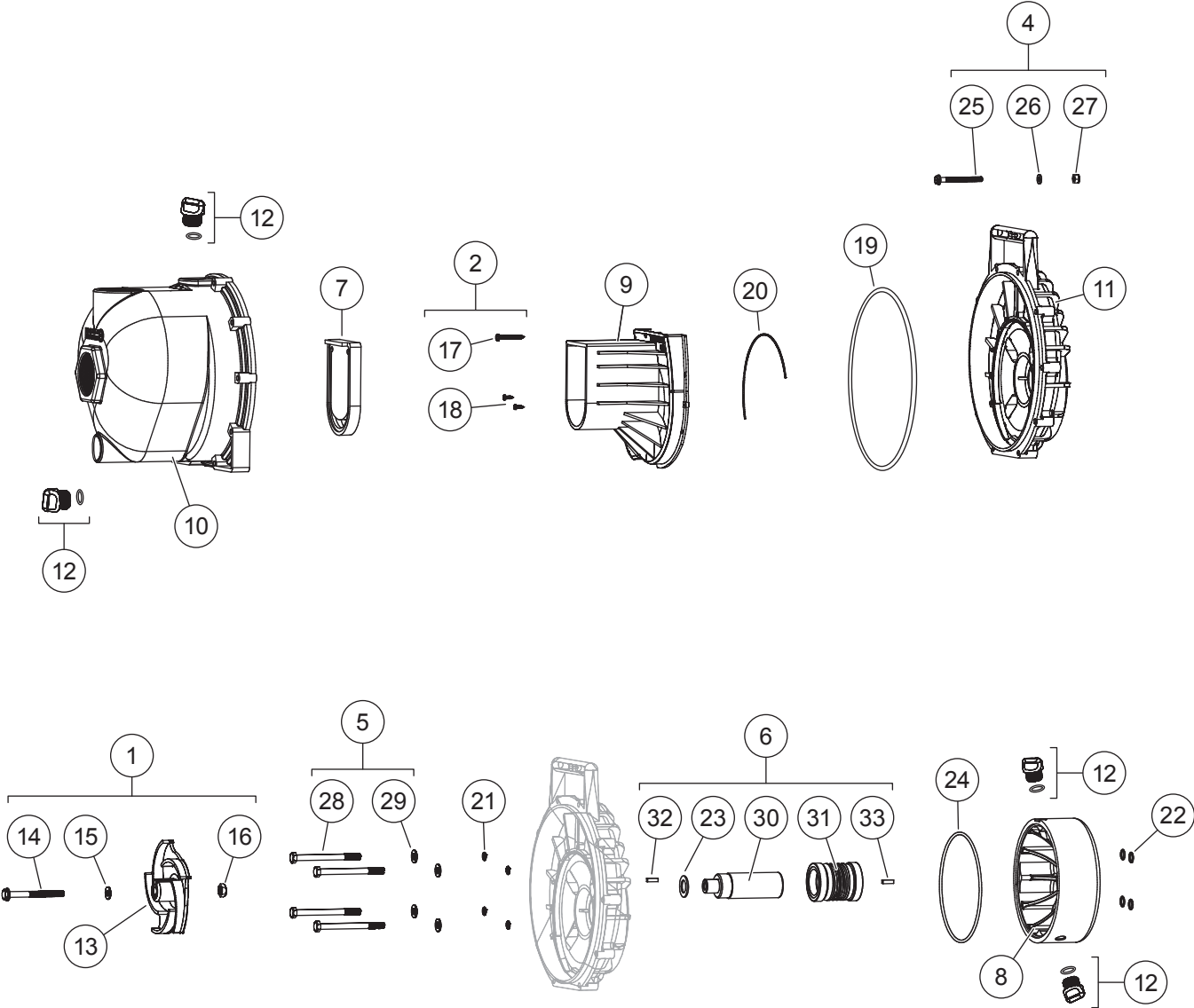


HFS-100 & HFD-200 PUMP PLATFORMS

Base, Pump and Input Plumbing Assembly							
Item	Part	Qty	Description	Item	Part	Qty	Description
1	76146	1	Pump & Motor Kit, 125 GPM, 5.5 hp	9	76143	1	Elbow Kit, 2" Flange
2	76150	1	Pump Base Kit, 32 x 37-1/2"	10	76142	1	Connection Kit, 2" Flange - MNPT
3	10872	1	CHMSL Kit	11	76137	1	Filter Kit, Line Strainer, 2" Flange
4	76144	1	Hose Kit, 2 x 45"	12	76138	1	Line Strainer Kit, 2" Flange
5	76136	1	Hose Barb Kit, Straight, 2" Flange	13	76145	1	Ball Valve Kit, 2" Flange - QDC
6	76141	1	Ball Valve Kit, 2" Flange	14	76147	8	Manifold Clamp & Seal, 2" Flange
7	76140	1	Tee Kit, 2" Flange	15	76149	3	Pump Plug
8	76139	2	Coupler Kit, 2" Flange	ns	D6513	1	Vehicle Harness, CHMSL
Item 1				76146 Pump & Motor Kit, 125 GPM, 5.5 hp, Wet-Seal			
16		1	Poly Pump, Wet Seal, 5.5 hp, 2"	19		4	3/8-16 x 2 Hex Cap Screw SS
17		1	Manifold MNPT Connection, 2"	20		4	3/8 Flat Washer Nylon
18		4	3/8-16 Hex Locknut SS				
Item 2				76150 Pump Base Kit, 32 x 37-1/2"			
21		1	Mounting Base	23		12	1/2 Flat Washer
22		6	1/2-13 x 1-1/2 Hex Cap Screw G5	24		6	1/2-13 Hex Locknut G5
Item 3				10872 CHMSL Kit			
25		1	CHMSL Brake Light	27		2	#10-32 Hex Locknut SS
26		2	#10-32 x 1-1/4 Phillips Machine Screw SS				
		G = Grade				SS = Stainless Steel	
						ns = not shown	

HFS-100 & HFD-200 PUMP PLATFORMS

PUMP REPAIR PARTS

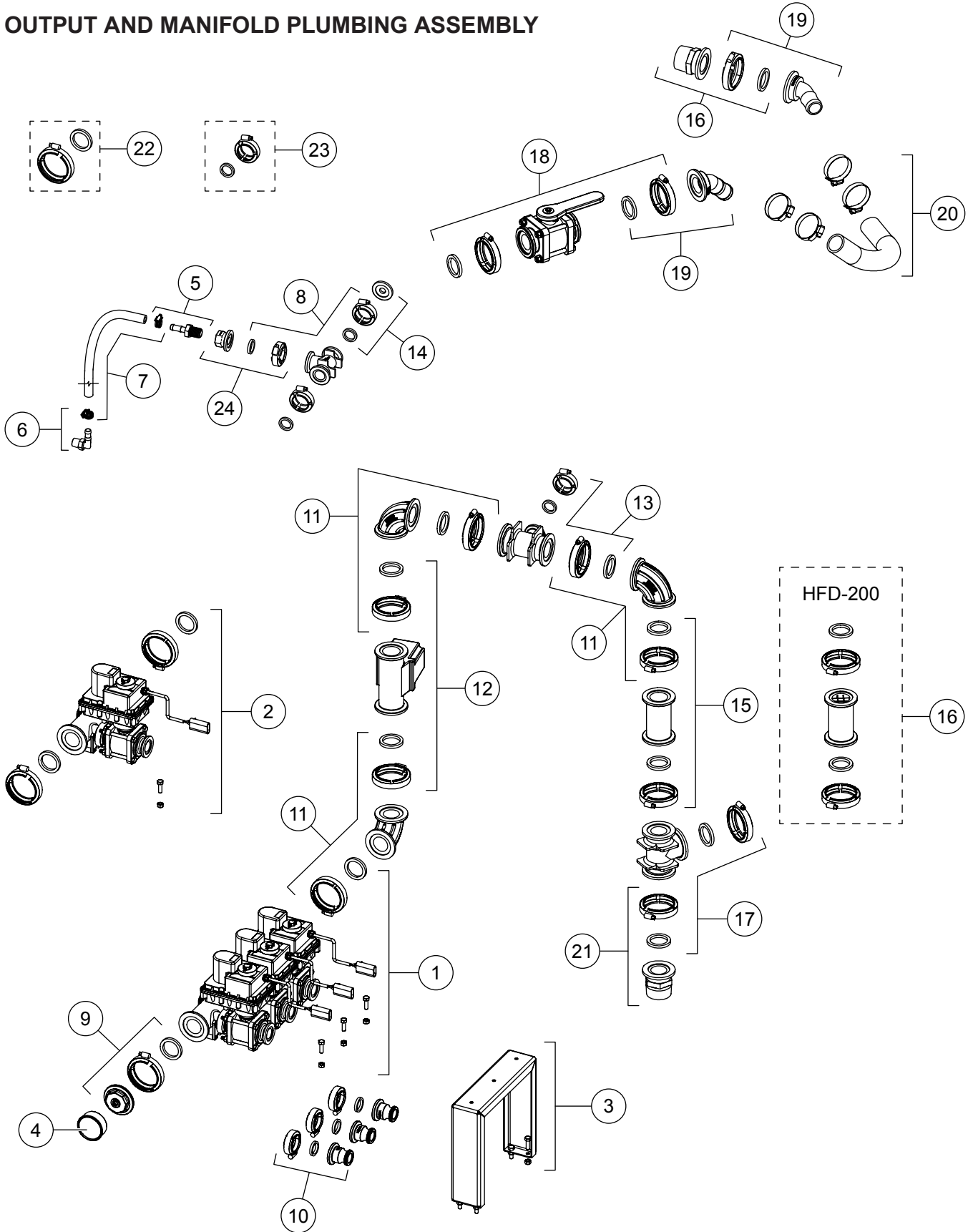


HFS-100 & HFD-200 PUMP PLATFORMS

Pump Repair Parts							
Item	Part	Qty	Description	Item	Part	Qty	Description
1	10855	1	Impeller Kit	7	10862	1	Check Valve, Banjo Pump
2	10856	1	Volute Hardware Kit	8	10863	1	Wet Seal Reservoir
3	10857	1	Seal Kit	9	10864	1	Volute
4	10858	1	Body Hardware Kit	10	10865	1	Body Assembly
5	10859	1	Wet Seal Hardware Kit	11	10866	1	Wet Seal Rear Bracket
6	10861	1	Mechanical Seal Kit	12	76149	4	Threaded Plug & O-Ring
Item 1				10855 Impeller Kit			
13		1	Impeller	15		1	Impeller Bolt Gasket
14		1	5/16-24 x 3-1/4 Hex Flange Screw	16		1	7/16-14 Hex Nut
Item 2				10856 Volute Hardware Kit			
17		1	#10 x 1-1/2 Phillips Screw	18		2	#6 x 1/2 Phillips Screw
Item 3				10857 Seal Kit			
15		1	Impeller Bolt Gasket	22		4	O-Ring
19		1	Body O-Ring	23		1	Gasket
20		1	O-Ring Segment	24		1	O-Ring
21		4	O-Ring for Bracket Screw				
Item 4				10858 Body Hardware Kit			
25		10	1/4-20 x 2-1/2 Hex Flange Screw	27		10	1/4-20 Hex Nut
26		10	1/4 Lock Washer				
Item 5				10859 Wet Seal Hardware Kit			
28		4	5/16-24 x 3-3/4 Hex Cap Screw	29		4	5/16 Flat Washer
Item 6				10861 Mechanical Seal Kit			
23		1	Gasket	32		1	3/16 sq x 5/8" Key
30		1	Adapter Shaft	33		1	1/4 sq x 3/4" Key
31		1	Mechanical Seal Assy				

HFS-100 & HFD-200 PUMP PLATFORMS

OUTPUT AND MANIFOLD PLUMBING ASSEMBLY



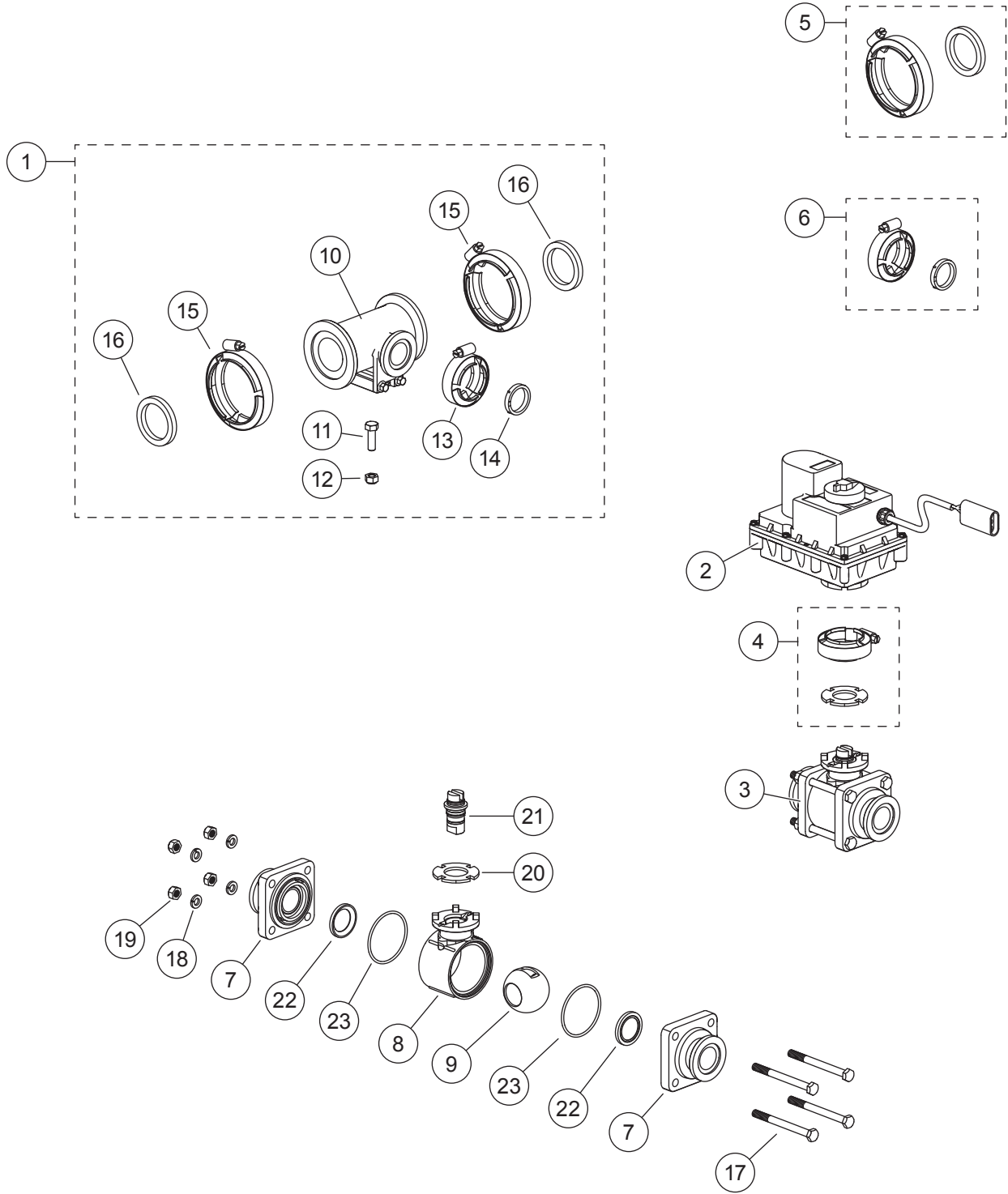
HFS-100 & HFD-200 PUMP PLATFORMS

Output and Manifold Plumbing Assembly							
Item	Part	Qty	Description	Item	Part	Qty	Description
1	76151	1	Electric Valve Manifold Kit, 2-1"	17	76140	1	Tee Kit, 2" Flange
2	10867	3	Electric Valve Kit, 2-1" Flange	18	76141	1	Ball Valve Kit, 2" Flange
3	76154	1	Valve Mount Bracket Kit	19	76185	1	Hose Barb Kit, 2" Flange - 1-1/2" 45°
4	F51823	1	Gauge, Back Mount, 0-100 psi	20	76159	1	Hose Kit, 1-1/2 x 16"
5	10868	1	Hose Barb Kit, 1/2 x 1/2 NPT	21	76142	1	Connection Kit, 2" Flange - MNPT
6	10869	1	Hose Barb Kit, 1/2 x 1/2 NPT 90°	22	76147	11	Manifold Clamp & Seal, 2" Flange
7	10870	1	Hose Kit, 1/2" Black w/ Clamps	23	76148	6	Manifold Clamp & Seal, 1" Flange
8	10871	1	Tee Kit, 1" Flange	24	76161	1	Reducer Kit, 1" FL - 1/2" NPT
9	76153	1	Reducer Kit, 2" Flange - 1/4" NPT	ns	10775	1	RoadMaster™ Control w/ Main Harness
10	76152	3	Quick-Connect, 1" Flange - QDC	ns	10778	1	Standard Control, Texas Industrial Remcor RC-1B
11	76143	3	Elbow Kit, 2" Flange	ns	10777	1	GPS Module, Micro-Trak Astro™ 5
12	76155	1	Servo Valve Kit, 2" Flange	ns	10776	1	Blast/Run/Hold, Remote Switch Box
13	76156	1	Tee Kit, 2"-1" Flange	ns	10821	1	Harness Ext, Tri Modular 10'
14	76157	1	Plug Kit, 1" Flange	ns	10822	1	Harness Ext, Tri Modular 5'
15	76139	1	Coupler Kit, 2" Flange				
16	76158	1	Flow Meter Kit, 2" Flange				
Item 1 76151 Electric Valve Manifold Kit, 2-1" Flange (Assembly of 10867 Qty 3)							
25		2	Bulkhead Gasket, 1/2 x 3/4", Poly	28		3	5/16-18 x 1 Hex Cap Screw SS
26		2	Clamp, Worm Screw 200 Series,	29		3	5/16-18 Hex Locknut SS
27		1	Electric Valve Manifold, Assembly				
Item 2 10867 Electric Valve Kit, 2-1" Flange							
25		2	Bulkhead Gasket, 1/2 x 3/4", Poly	29		1	5/16-18 Hex Locknut SS
26		2	Clamp, Worm Screw 200 Series,	30		1	Electric Valve
28		1	5/16-18 x 1 Hex Cap Screw SS				
Item 3 76154 Valve Mount Bracket Kit							
28		4	5/16-18 x 1 Hex Cap Screw SS	31		1	Valve Mount Bracket
29		4	5/16-18 Hex Locknut SS				
ns = not shown				SS = Stainless Steel			

RoadMaster™ and Astro™ are trademarks of Micro-Trak Systems, Inc.

HFS-100 & HFD-200 PUMP PLATFORMS

10867 ELECTRIC VALVE REPAIR PARTS

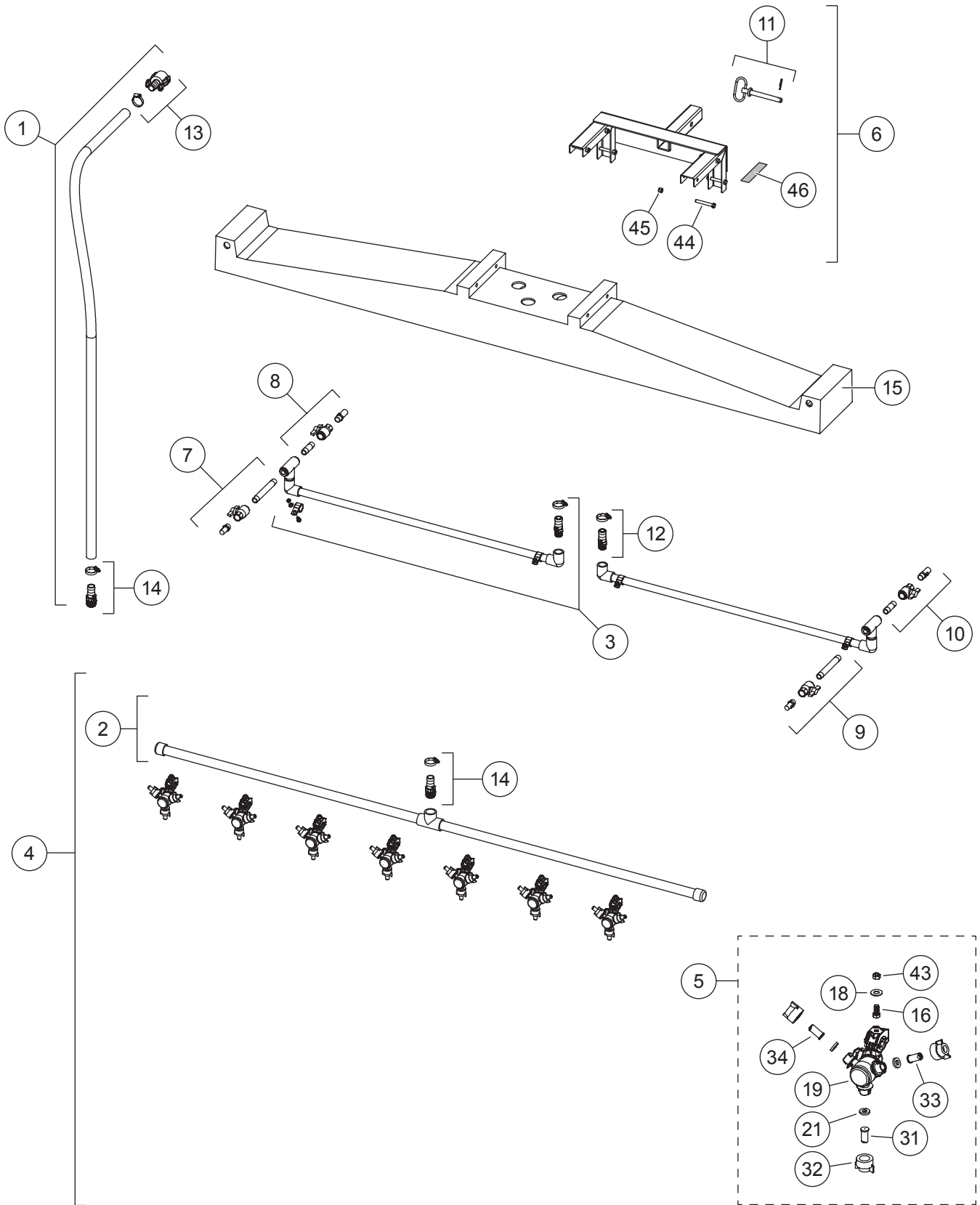


HFS-100 & HFD-200 PUMP PLATFORMS

10867 Electric Valve Repair Parts							
Item	Part	Qty	Description	Item	Part	Qty	Description
1	10882	1	Manifold Tee & Mounting Bracket Kit	5	76147	2	Manifold Clamp & Seal, 2"
ns	10880	1	Body Bolt Kit	6	76148	1	Manifold Clamp & Seal, 1"
ns	10881	1	Ball Valve Repair Kit	7	10877	1	Manifold End Plate, 1"
2	10873	1	Complete Motor Assembly	8	10878	1	Body, 1" Ball Valve
3	10876	1	Ball Valve Assembly, Electric	9	10879	1	Hollow Ball, 1" Electric Valve
4	10874	1	Clamp Kit, Electric Valve				
10882 Manifold Tee & Mounting Bracket Kit							
10		1	Manifold Tee, 2-1-2" & Mtg Bkt	14		1	Manifold Gasket, 1"
11		1	5/16-18 x 1 Hex Cap Screw SS	15		2	Manifold Clamp, 2"
12		1	5/16-18 Hex Locknut SS	16		2	Manifold Gasket, 2"
13		1	Manifold Clamp, 1"				
10880 Body Bolt Kit, 1" Electric Ball Valve							
17		4	5/16-18 x 3-1/2 Hex Cap Screw SS	19		4	5/16-18 Hex Nut SS
18		4	5/16 Lock Washer SS				
10881 Ball Valve Repair Kit							
20		1	Electric Valve Flange Gasket	22		2	Ball Seat, 1" Electric Valve
21	10884	1	Stem Seal, 1"	23		2	O-Ring, Body
			SS = Stainless Steel				ns = not shown

PBA-300 SPRAY BOOM

PBA-300 SPRAY BOOM ASSEMBLY

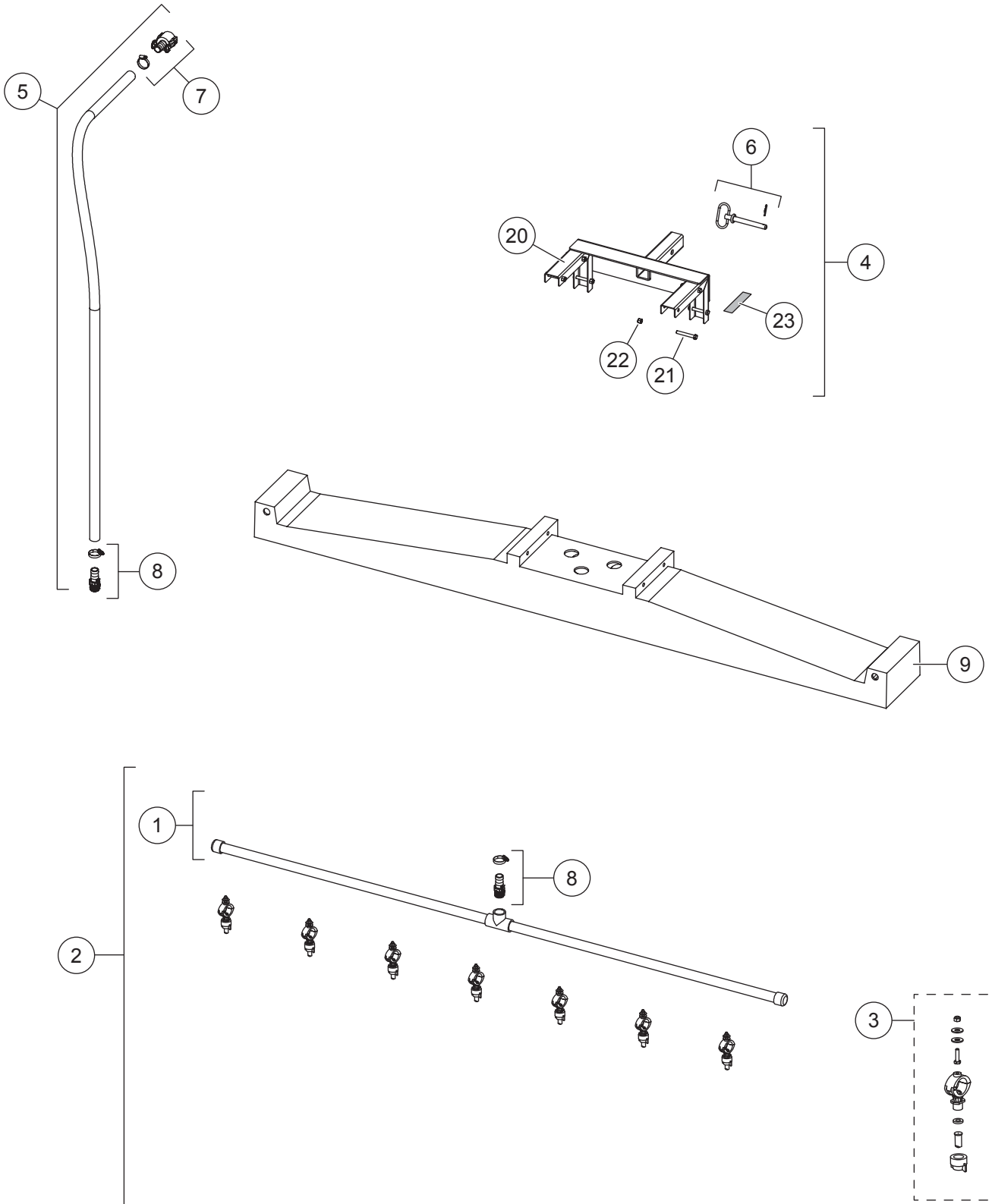


PBA-300 SPRAY BOOM

PBA-300 Spray Boom Assembly							
Item	Part	Qty	Description	Item	Part	Qty	Description
1	76169	3	Boom Hose Kit, 1 x 60"	9	76178	1	Low Speed Nozzle Kit, PS
2	76171	1	Spray Pipe, Center	10	76179	1	High Speed Nozzle Kit, PS
3	76172	2	Spray Pipe, Outside Lane	11	75620	1	Hitch Pin Kit, 5/8 x 5-1/2
4	76173	1	Center Spray Pipe Assy w/ Nozzles	12	76182	2	Hose Barb Kit, 3/4 NPT x 1"
5	76174	8	Nozzle Assy, Triple-Stream, 1-1.5-2	13	76183	3	Quick-Connect Kit, 1 x 1"
6	76175	1	Hitch Kit, PBA Series 2	14	76184	1	Hose Barb Kit, 1 NPT x 1"
7	76176	1	Low Speed Nozzle Kit, DS	15	F51643	1	Poly Boom Cover, Yellow
8	76177	1	High Speed Nozzle Kit, DS				
Item 1				76169 Hose Kit, 1 x 60"			
20		1	Hose Barb, 3/4 NPT x 1"	25		1	1" Female Coupler x 1" HB
22		2	Band Clamp, 11/16 x 1-1/2	40		60	Hose, 1" EPDM Black
Item 2				76171 Spray Pipe, Center			
22		1	Band Clamp, 11/16 x 1-1/2	35		1	Main Spray Bar
23		1	Hose Barb, 1 NPT x 1"				
Item 3				76172 Spray Pipe, Outside Lane			
17		2	1/4-20 x 3/4 Hex Cap Screw SS Serrated Flange	24		2	Clamp, 1" Rubber Coated
20		1	Hose Barb, 3/4 NPT x 1"	36		1	Feed Pipe, Outside Lane
22		1	Band Clamp, 11/16 x 1-1/2	41		2	1/4 Flat Washer SS
				42		2	1/4-20 Hex Locknut SS
Item 4				76173 Center Spray Pipe Assembly With Nozzles			
5	76174	8	Nozzle Assembly, Triple-Stream, 1-1.5-2 GPM	23		1	Hose Barb, 1 NPT x 1"
22		1	Band Clamp, 11/16 x 1-1/2	35		1	Main Spray Pipe
Item 5				76174 Nozzle Assembly, Triple-Stream, 1-1.5-2 GPM			
16		1	5/16-18 x 3/4 Hex Cap Screw SS	32	F51662	3	Spray Tip Cap, Black Nylon
18		1	3/8 USS Flat Washer SS	33	F51663	1	Spray Nozzle, 1 GPM, Blue
19	D6939	1	Triple Rotary Nozzle Body	34	F51664	1	Spray Nozzle, 1.5 GPM, Green
21	D6961	3	Nozzle Seat Gasket	43		1	5/16-18 Hex Locknut SS
31	F51661	1	Spray Nozzle, 2 GPM, Black				
Item 6				76175 Hitch Kit, PBA Series 2			
11	75620	1	Hitch Pin, 5/8 x 5-1/2	45		6	3/8-16 Hex Locknut
27		1	Hitch Mount	46	10829	1	Label, Boom Height
44		6	3/8-16 x 2-3/4 Hex Cap Screw SS				
Item 7				76176 Low Speed Nozzle Kit, DS			
28		1	1/2 PVC Utility Ball Valve	37		1	Nipple, 1/2 x 6" Sch 80
30		1	XP Boomjet Nozzle, DS				
Item 8				76177 High Speed Nozzle Kit, DS			
26		1	Nipple, 1/2 x 2-1/2" Sch 80	39		1	XP Boomjet Nozzle, White DS
28		1	1/2 PVC Utility Ball Valve				
Item 9				76178 Low Speed Nozzle Kit, PS			
28		1	1/2 PVC Utility Ball Valve	38		1	XP Boomjet Nozzle, Red PS
37		1	Nipple, 1/2 x 6" Sch 80				
Item 10				76179 High Speed Nozzle Kit, PS			
26		1	Nipple, 1/2 x 2-1/2" Sch 80	29		1	XP Boomjet Nozzle, White PS
28		1	1/2" PVC Utility Ball Valve				
SS = Stainless Steel							

PBA-200 SPRAY BOOM

PBA-200 SPRAY BOOM ASSEMBLY

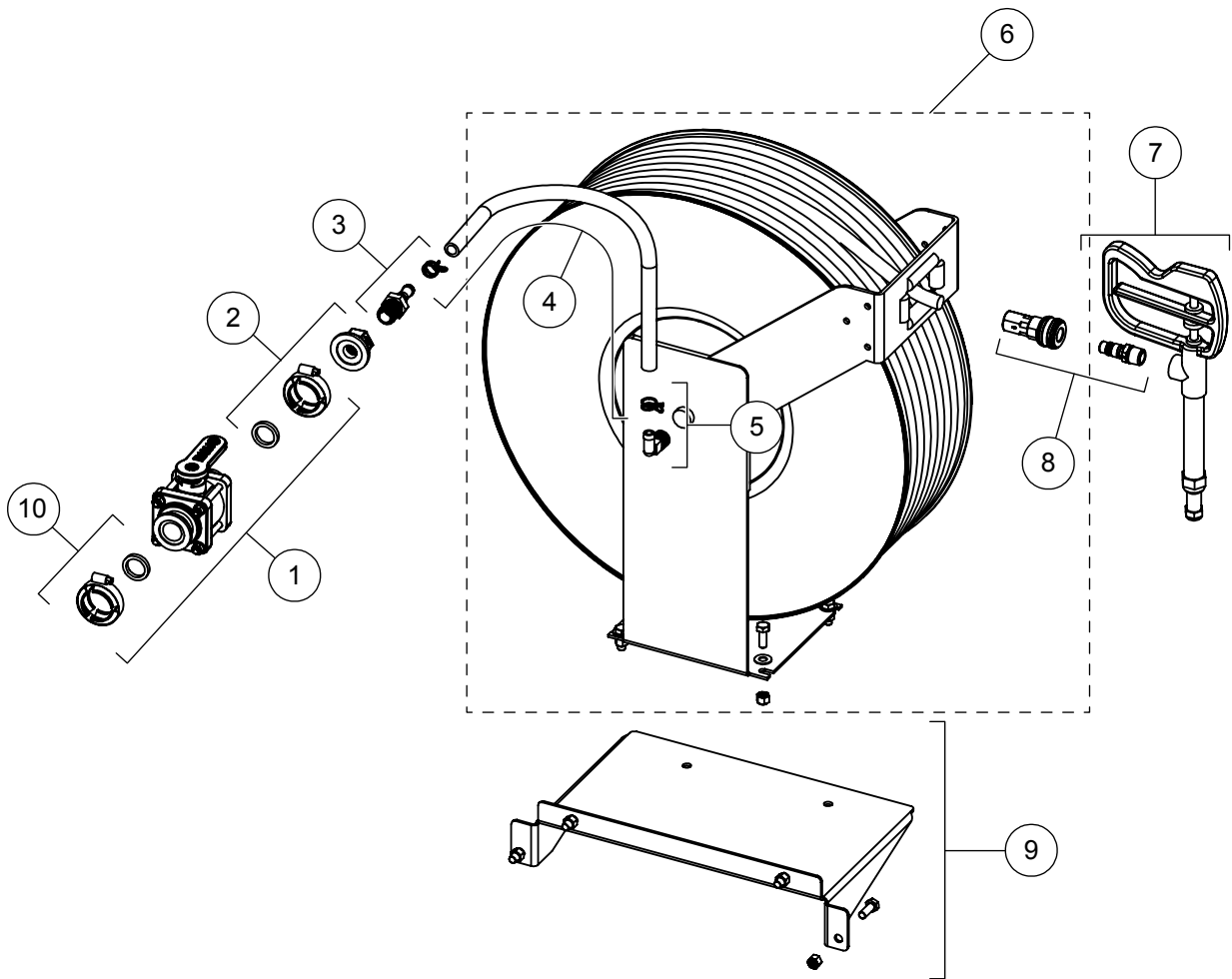


PBA-200 SPRAY BOOM

PBA-200 Spray Boom Assembly							
Item	Part	Qty	Description	Item	Part	Qty	Description
1	76171	1	Spray Pipe, Center	6	75620	1	Hitch Pin Kit, 5/8 x 5-1/2
2	10885	1	Center Spray Pipe w/ Nozzles	7	76183	1	Quick-Connect Kit, 1 x 1"
3	10886	1	Nozzle Assy, Tri-Stream, 2 GPM	8	76184	1	Hose Barb Kit, 1 NPT x 1"
4	76175	1	Hitch Kit, PBA Series 2	9	F51643	1	Poly Boom Cover, Yellow
5	76169	1	Boom Hose Kit, 1 x 60"				
Item 1				76171 Spray Pipe, Center			
10		1	Band Clamp, 11/16 x 1-1/2	12		1	Main Spray Bar
11		1	Hose Barb, 1 NPT x 1"				
Item 2				10885 Center Spray Pipe w/ Nozzles			
3	10886	8	Nozzle Assy, Triple-Stream, 2 GPM	11		1	Hose Barb, 1 NPT x 1"
10		1	Band Clamp, 11/16 x 1-1/2	12		1	Main Spray Pipe
Item 3				10886 Nozzle Assembly, Triple-Stream, 2 GPM			
13	F51762	1	Single Nozzle Body, Wet Boom	17		1	5/16-18 x 3/4 Hex Cap Screw SS
14	F51661	1	Spray Nozzle, 2 GPM, Black	18		1	3/8 USS Flat Washer SS
15	F51662	1	Spray Tip Cap, Black Nylon	19		1	5/16-18 Hex Locknut SS
16	D6961	1	Nozzle Seat Gasket				
Item 4				76175 Hitch Kit, PBA Series 2			
6	75620	1	Hitch Pin, 5/8 x 5-1/2	22		6	3/8-16 Hex Locknut
20		1	Hitch Mount	23		1	Label, Boom Height
21		6	3/8-16 x 2-3/4 Hex Cap Screw SS				
SS = Stainless Steel							

HRK-200 HOSE REEL ACCESSORY

HOSE REEL ASSEMBLY

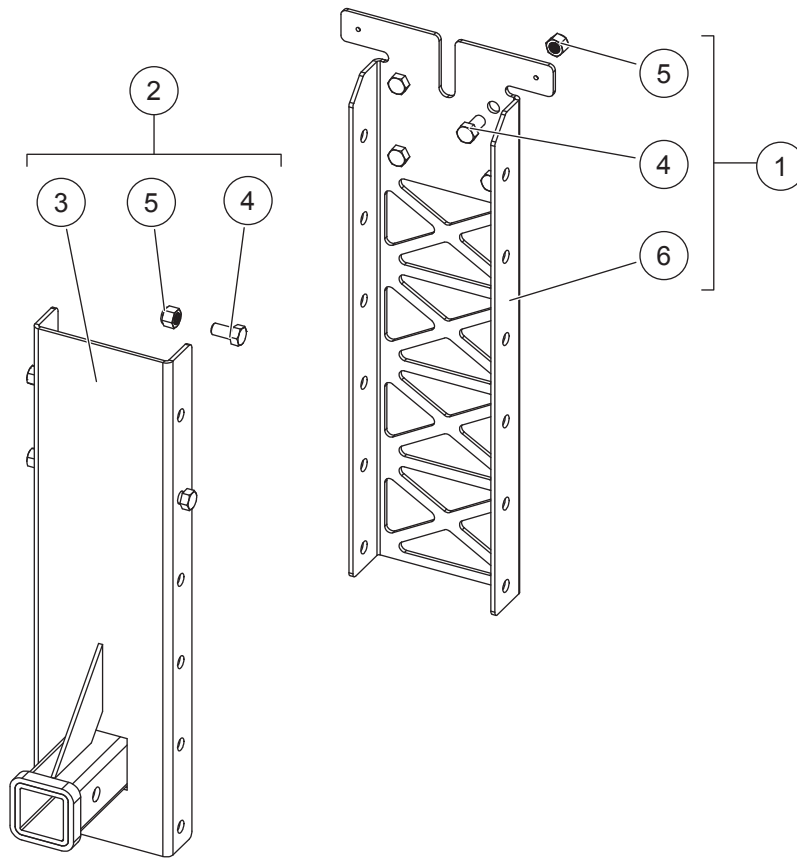


HRK-200 HOSE REEL ACCESSORY

Hose Reel Assembly							
Item	Part	Qty	Description	Item	Part	Qty	Description
1	76160	1	Ball Valve Kit, 1" Flange	6	76165	1	Hose Reel Kit, 100'
2	76161	1	Reducer Kit, 1" Flange - 1/2" NPT	7	76166	1	Spray Gun With 1/2" MPT Fitting
3	76163	1	Hose Barb Kit, 1/2 NPT x 1/2"	8	76168	1	Hose Reel Coupler 1/2" FPT/MPT
4	76162	1	Reel Inlet Hose Kit, 1/2 x 22	9	76167	1	Hose Reel Base Kit
5	76164	1	Hose Barb Kit, 1/2 x 1/2" 90° Brass	10	76148	2	Manifold Clamp & Seal, 1" Flange
Item 6				76165 Hose Reel Kit, 100'			
11		1	Hose Reel, 100' Spring Return	14		4	3/8 Flat Washer SS
12		1	Hose Barb, 1/2" Male Thread	15		4	3/8-16 x 1 Hex Cap Screw SS
13		1	Coupler Socket, 1/2" FPT	16		1	Clamp, Double Spring 3/8"
Item 9				76167 Hose Reel Base Kit			
15		4	3/8-16 x 1 Hex Cap Screw SS	18		1	3/8-16 Hex Cap Screw SS
17		1	Hose Reel Support Bracket				
SS = Stainless Steel							

BRM-175 SPRAY BOOM HITCH ACCESSORY

HITCH ASSEMBLY



BRM-175 SPRAY BOOM HITCH ACCESSORY

Hitch Assembly							
Item	Part	Qty	Description	Item	Part	Qty	Description
1	76180	3	Hitch Bracket Kit, BRM-175	2	76181	1	Hitch Mount Kit, BRM-175
Item 1				76180 Hitch Bracket Kit, BRM-175			
4		4	1/2-13 x 1 Hex Cap Screw G5	6		1	Hitch Bracket
5		4	1/2-13 Hex Locknut G5				
Item 2				76181 Hitch Mount Kit, BRM-175			
3		1	Hitch Mount Weldment	5		4	1/2-13 Hex Locknut G5
4		4	1/2-13 x 1 Hex Cap Screw G5				
G = Grade							



TrynEx International
531 Ajax Drive
Madison Heights, MI 48071-2429
www.snowexproducts.com

 A DIVISION OF DOUGLAS DYNAMICS, LLC

Copyright © 2015 Douglas Dynamics, LLC. All rights reserved. This material may not be reproduced or copied, in whole or in part, in any printed, mechanical, electronic, film or other distribution and storage media, without the written consent of TrynEx International, LLC. Authorization to photocopy items for internal or personal use by TrynEx International, LLC outlets or spreader owner is granted.

TrynEx International, LLC reserves the right under its product improvement policy to change construction or design details and furnish equipment when so altered without reference to illustrations or specifications used. TrynEx International, LLC or the vehicle manufacturer may require or recommend optional equipment for spreaders. Do not exceed vehicle ratings with a spreader. TrynEx International, LLC offers a limited warranty for all spreaders and accessories. See separately printed page for this important information. The following are registered (®) or unregistered (™) trademarks of Douglas Dynamics, LLC: SnowEx®, Liqui Maxx™.

Printed in U.S.A.