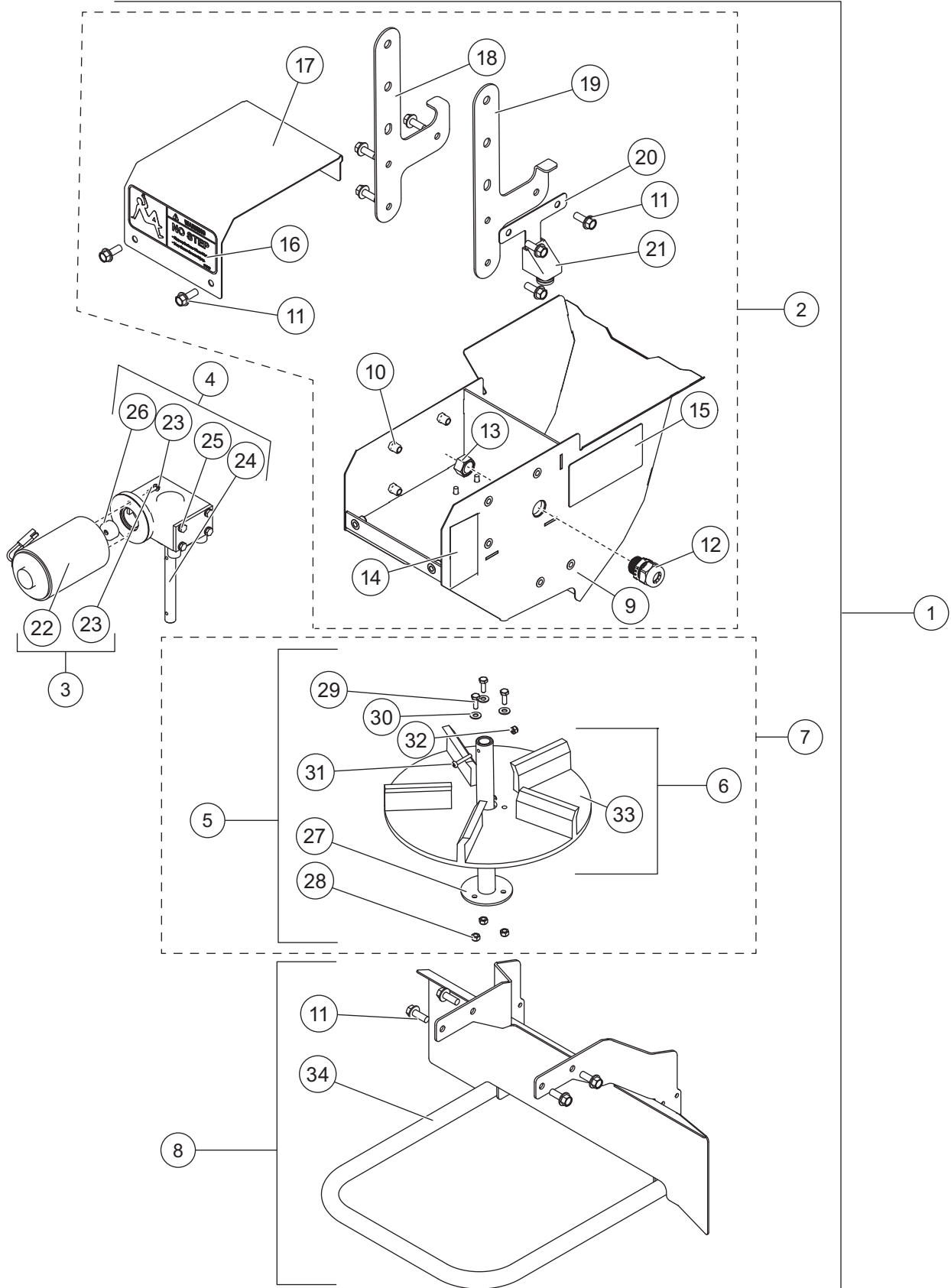


HELIXX™ STAINLESS STEEL HOPPER SPREADERS

SPINNER DRIVE COMPONENTS – 0.7 yd³ & 0.35 yd³



HELIXX™ STAINLESS STEEL HOPPER SPREADERS

Spinner Drive Components							
Item	Part	Qty	Description	Item	Part	Qty	Description
1	83890	1	Chute Assembly	5	83889	1	Spinner Mount Kit
2	83888	1	Spinner Drive Housing	6	85438	1	Spinner Disk Service Kit
3	75901	1	Spinner Motor Service Kit	7	83887	1	Spinner Disk and Mount Kit
4	83722	1	Spinner Transmission Kit	8	85437	1	Spinner Guard Service Kit
Item 1 83890 Chute Assembly							
	74690	1	Spinner Drive Assembly				
Item 2 83888 Spinner Drive Housing							
9		1	Chute Motor Enclosure	16	D6545	1	Label – Warning, No Step
10		12	3/8-16 Hex Rivnut SS	17		1	Chute Motor Cover
11		8	3/8-16 x 1 Serrated Flange Hex Cap Screw SS	18	91639	1	Chute Hanger, DS
12		1	10/2 3/4 NPT Strain Relief	19	91641	1	Chute Hanger, PS
13		1	3/4 Nut, Nylon	20		1	Cable Boot Bracket
14	29593	2	Label – Warning, Multiple Pinch Points	21	11992	1	Dust Cover, Spinner Harness
15	92969	1	Label – Warning, Chute Disconnect	ns	11100	1	Label – Warning, Rear Camera
Item 3 75901 Spinner Motor Service Kit							
22	72690	1	Motor	23		2	#10-32 x 5/8 Hex Cap Screw
Item 4 83722 Spinner Transmission Kit							
23		2	#10-32 x 5/8 Hex Cap Screw	25		4	1/4-20 x 1/2 Hex Cap Screw
24	D6107	1	Worm Transmission 8:1, 5.9" Shaft	26	D6232	1	Motor Drive Coupler
Item 5 83889 Spinner Mount Kit							
27		1	Spinner Hub	30		3	1/4 Flat Washer, Type A Narrow
28		3	1/4-20 Hex Locknut GB	31		2	#10-32 x 2 Hex Cap Screw
29		3	1/4-20 x 3/4 Hex Cap Screw SS	32		2	#10-32 Hex Locknut GB
Item 6 85438 Spinner Disk Service Kit							
33	D6823	1	12 x 5/8 Spinner	ns		3	1/4 Flat Washer SS
ns		3	1/4-20 x 1 Serrated Flange Hex Cap Screw SS	ns		3	1/4-20 Nylon Nut
Item 7 83887 Spinner Disk and Mount Kit							
5	83889	1	Spinner Mount Kit	6	85438	1	Spinner Disk Service Kit
Item 8 85437 Spinner Guard Service Kit							
11		4	3/8-16 x 1 Serrated Flange Hex Cap Screw SS	ns		4	3/8-16 Hex Locknut SS
				30		1	Deflector
G = Grade		SS = Stainless Steel			ns = not shown		