



Hopper and Drive Components

Striker™ Hopper Spreaders

0.35 yd³ & 0.7 yd³

#98805, 98810

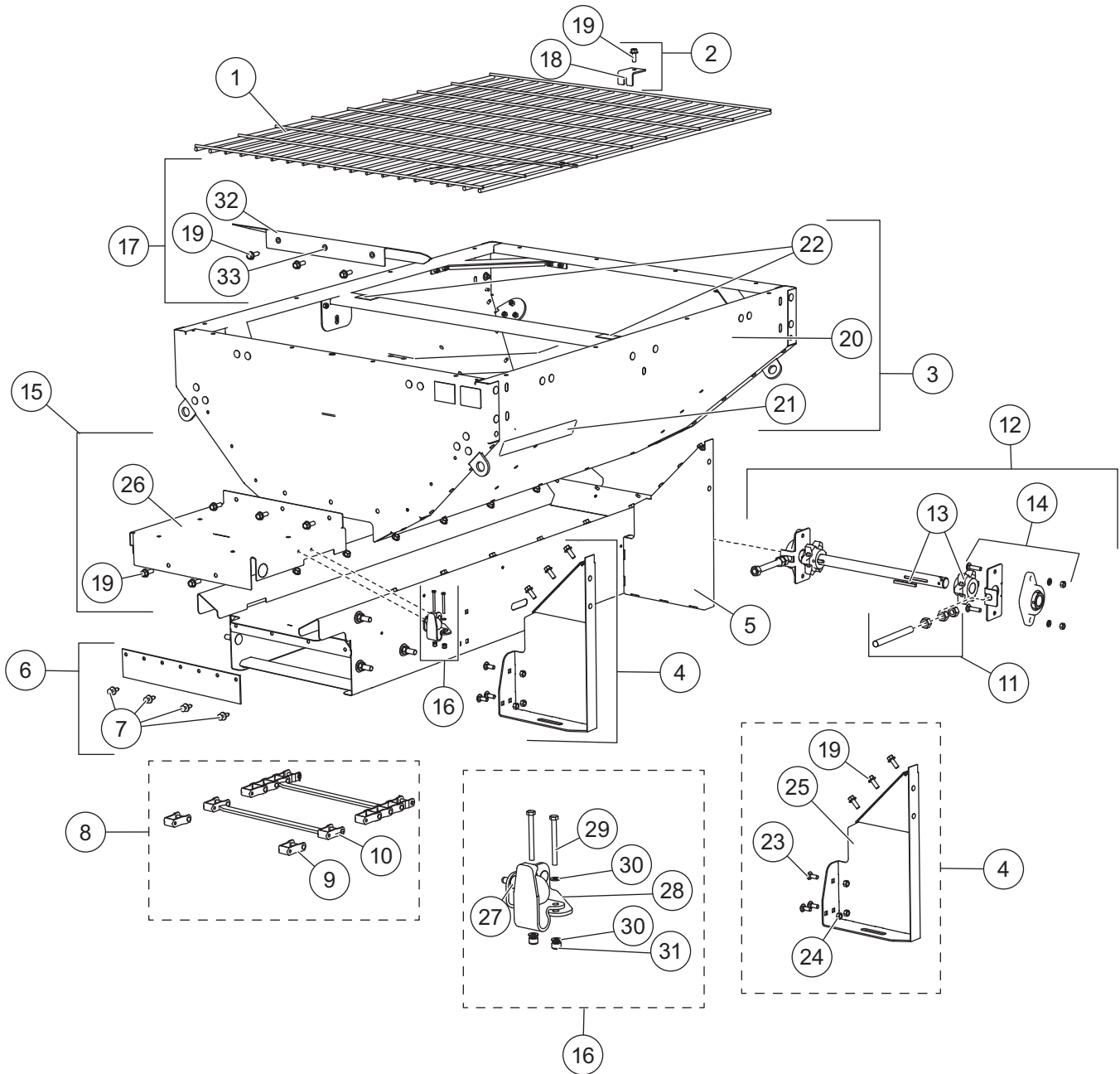
Parts List



This Parts List is for WESTERN® Striker hopper spreaders with serial numbers beginning with 200706 and higher.

Striker™ HOPPER SPREADER

HOPPER COMPONENTS – 0.7 yd³

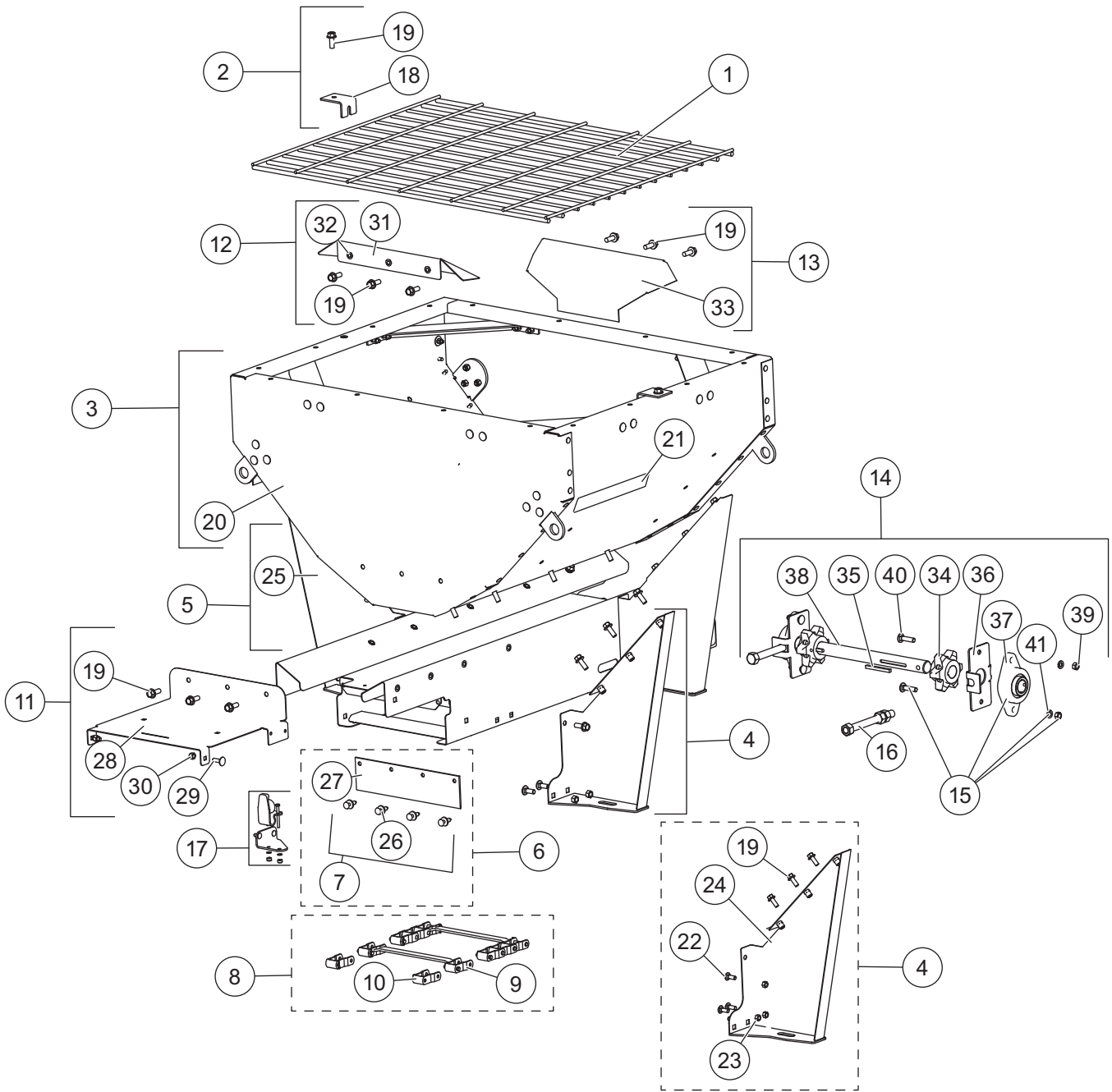


Striker™ HOPPER SPREADER

0.7 yd³ Hopper Components							
Item	Part	Qty	Description	Item	Part	Qty	Description
1	74697	1	Top Screen – 0.7 yd ³	10	68492	1	Conveyor Repair Bar w/Pins & Cotters
2	83896	1	Screen Attachment Kit	11	99073	2	Tensioner Bolt Kit
3	83895	1	Hopper Service Kit – 0.7 yd ³ Chain	12	99480	1	Idle Shaft Assembly Kit
4	83293	1	Leg Service Kit A – 0.7 yd ³ Chain	13	99479	1	6-Tooth Sprocket Kit
5	83294	1	Leg Service Kit B – 0.7 yd ³ Chain	14	94953	1	Spreader Bearing Kit
6	78266	1	Wiper Replacement Kit	15	83275	1	Mixing Chamber Cover Kit
7	99079	1	Rivet Kit, Steel Hopper Wiper (pkg of 4)	16	83308	1	Spinner Module Dust Cover
8	74768	1	Pintle Chain	17	83276	1	Tail-Side Doghouse Kit – 0.7 yd ³ Chain
9	68475	1	Conveyor Repair Link w/Pins & Cotters				
Item 2				83896 Screen Attachment Kit			
18		2	Top Screen Clamp	19		2	3/8-16 x 1 Hex Cap Screw SS
Item 3				83895 Hopper Service Kit – 0.7 yd³ Chain			
19		24	3/8-16 x 1 Hex Cap Screw SS	21	68584	2	Label – Warning/Caution, Spreaders
20	74645	1	Hopper Assembly – 0.7 yd ³	22	67272	2	Label – Caution, Do Not Lift
Item 4				83293 Leg Service Kit A – 0.7 yd³ Chain			
19		3	3/8-16 x 1 Hex Cap Screw SS	24		3	3/8-16 Hex Locknut GB
23		3	3/8-16 x 1 Carriage Bolt	25		1	Rib Assembly, Cab-Side
Item 5				83294 Leg Service Kit B – 0.7 yd³ Chain			
19		3	3/8-16 x 1 Hex Cap Screw SS	24		3	3/8-16 Hex Locknut GB
23		3	3/8-16 x 1 Carriage Bolt	ns		1	Rib Assembly, Cab-Side
Item 15				83275 Mixing Chamber Cover Kit			
19		3	3/8-16 x 1 Hex Cap Screw SS	26		1	Mixing Chamber Cover
Item 16				83308 Spinner Module Dust Cover			
27	74792	1	Spinner Harness Boot Bracket	31		2	#10-32 Hex Locknut GB
28	11991	1	Dust Cover, Spinner Plug	ns		2	1/4-20 x 3/4 Hex Cap Screw SS
29		2	#10-32 x 2 Hex Cap Screw	ns		2	1/4-20 Hex Locknut GB
30		2	#10 Flat Washer, Type A SS				
Item 17				83276 Tail-Side Doghouse Kit – 0.7 yd³ Chain			
19		3	3/8-16 x 1 Hex Cap Screw SS	33		3	3/8-16 Hex Rivnut SS
32	74813	1	Tail-Side Doghouse				
		SS = Stainless Steel				ns = not shown	
						G = Grade	

Striker™ HOPPER SPREADER

HOPPER COMPONENTS – 0.35 yd³

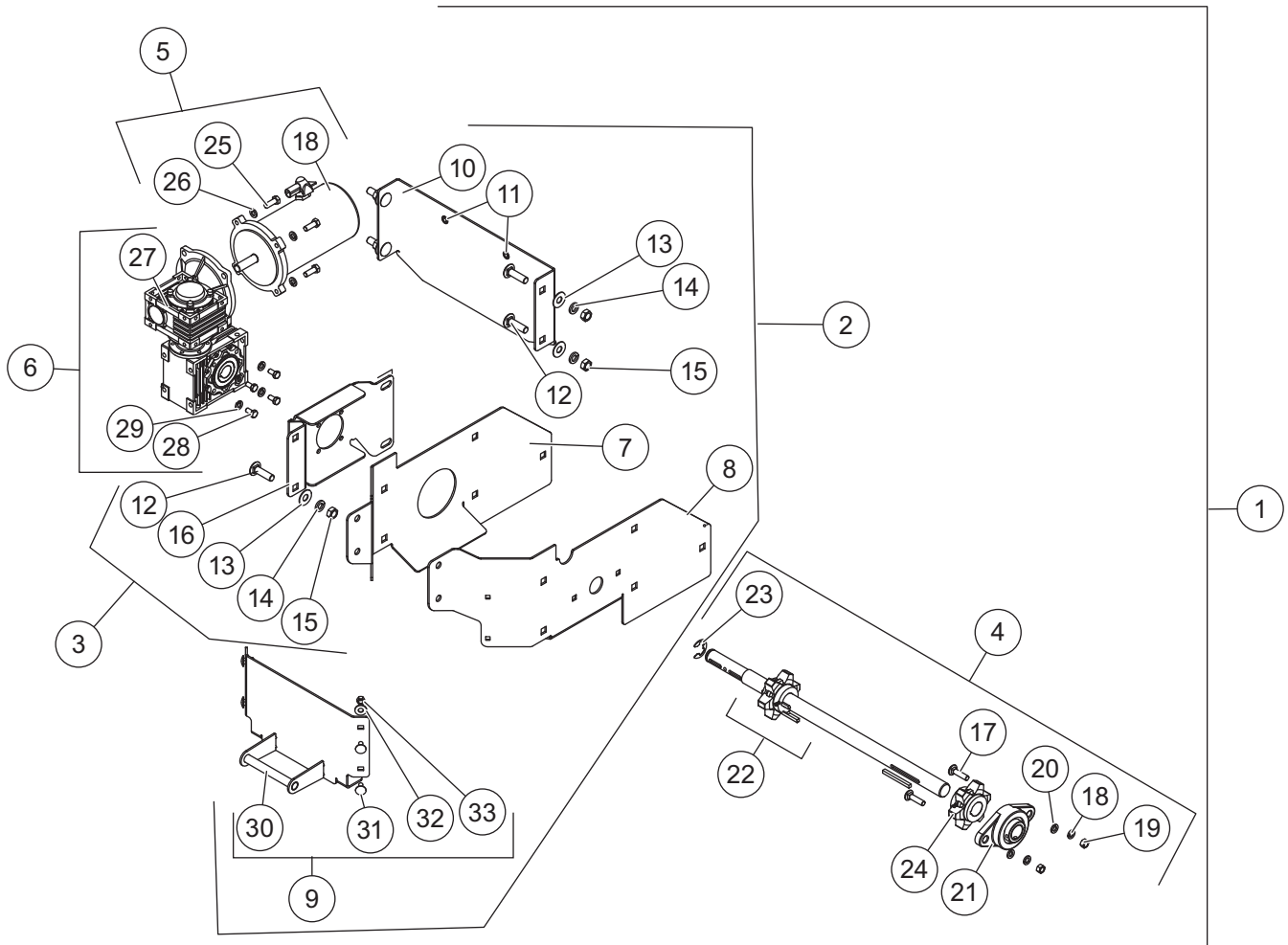


Striker™ HOPPER SPREADER

0.35 yd³ Hopper Components								
Item	Part	Qty	Description	Item	Part	Qty	Description	
1	74696	1	Top Screen – 0.35 yd ³	10	68475	1	Conveyor Repair Link w/Pins & Cotters	
2	83896	1	Screen Attachment Kit	11	83268	1	Mixing Chamber Cover Kit – 0.35 yd ³	
3	83265	1	Hopper Service Kit – 0.35 yd ³	12	83269	1	Tail-Side Doghouse Kit – 0.35 yd ³	
4	83296	1	Leg Service Kit A – 0.35 yd ³	13	83271	1	Cab-Side Doghouse Kit – 0.35 yd ³	
5	83297	1	Leg Service Kit B – 0.35 yd ³	14	83266	1	Idler Shaft Assembly Kit – 0.35 yd ³	
6	83272	1	Wiper Replacement Kit – 0.35 yd ³	15	94953	1	Spreader Bearing Kit	
7	99079	1	Rivet Kit, Steel Hopper Wiper (pkg of 4)	16	99073	1	Tensioner Bolt Kit	
8	74758	1	Conveyor Chain, 48-Link	17	83308	1	Spinner Module Dust Cover	
9	68375	1	Conveyor Repair Bar w/Pins & Cotters					
Item 2				83896 Screen Attachment Kit				
	18	2	Top Screen Clamp		19	2	3/8-16 x 1 Hex Cap Screw SS	
Item 3				83265 Hopper Service Kit – 0.35 yd³				
	19	22	3/8-16 x 1 Hex Cap Screw SS		21	68584	2	Label – Warning/Caution, Spreaders
	20	1	Hopper Assembly – 0.35 yd ³					
Item 4				83296 Leg Service Kit A – 0.35 yd³				
	19	4	3/8-16 x 1 Hex Cap Screw SS		23	2	3/8-16 Hex Locknut GB	
	22	2	3/8-16 x 1 Carriage Bolt		24	1	Rib, PS – 0.35 yd ³	
Item 5				83297 Leg Service Kit B – 0.35 yd³				
	19	4	3/8-16 x 1 Hex Cap Screw SS		23	2	3/8-16 Hex Locknut GB	
	22	2	3/8-16 x 1 Carriage Bolt		25	1	Rib, DS – 0.35 yd ³	
Item 6				83272 Wiper Replacement Kit – 0.35 yd³				
	26	4	Push Type Retainer		27	74686	1	Wiper Belt – 0.35 yd ³
Item 11				83268 Mixing Chamber Cover Kit – 0.35 yd³				
	19	3	3/8-16 x 1 Hex Cap Screw SS		29	2	5/16-18 x 1 Carriage Bolt	
	28	1	Mixing Chamber Cover – 0.35 yd ³		30	2	5/16-18 Hex Locknut GB	
Item 12				83269 Tail-Side Doghouse Kit – 0.35 yd³				
	19	3	3/8-16 x 1 Hex Cap Screw SS		32	3	3/8-16 Hex Rivnut SS	
	31	1	Tail-Side Doghouse – 0.35 yd ³					
Item 13				83271 Cab-Side Doghouse Kit – 0.35 yd³				
	19	3	3/8-16 x 1 Hex Cap Screw SS		33	1	Cab-Side Doghouse – 0.35 yd ³	
	ns	3	3/8-16 Hex Rivnut SS					
Item 14				83266 Idler Shaft Assembly Kit – 0.35 yd³				
	34	2	Drive Sprocket Machining 6T		38	74662	1	Idler Shaft, 3'
	35	2	Brass Key, 2.75"		39	4	3/8-16 Hex Locknut SS	
	36	2	Bearing Alignment Plate		40	4	3/8-16 x 1-1/2 Carriage Bolt	
	37	2	2-Bolt Flange Bearing, 1.125 ID		41	4	3/8 Flat Washer Type A Wide SS	
			SS = Stainless Steel				ns = not shown	
							G = Grade	

Striker™ HOPPER SPREADER

POWERGROUP COMPONENTS – 0.7 yd³

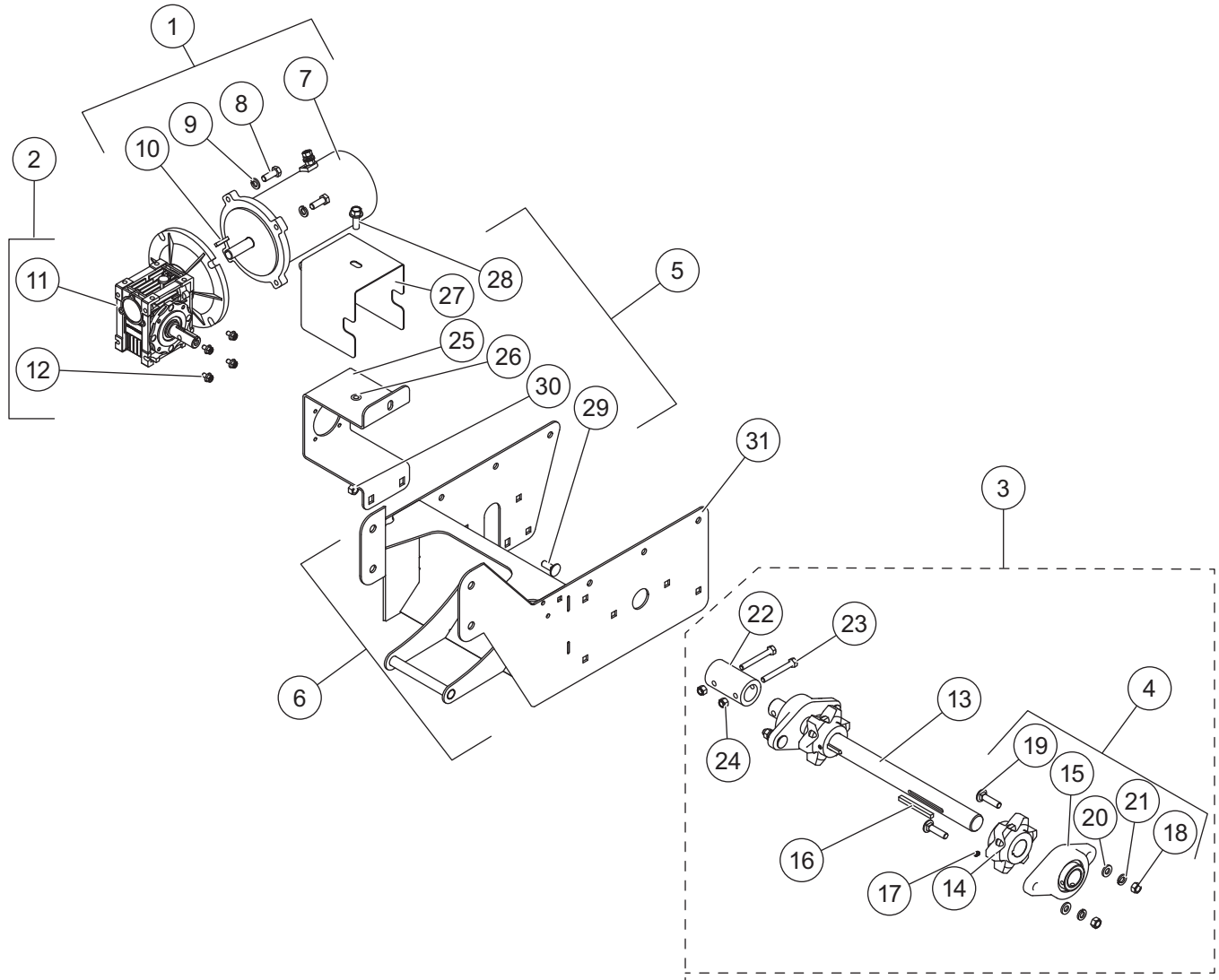


Striker™ HOPPER SPREADER

Powergroup Components – 0.7 yd³							
Item	Part	Qty	Description	Item	Part	Qty	Description
1	99091	1	Electric Conveyor Drive Kit	4	99094	1	Drive Shaft Kit, Electric
2	83274	1	Powergroup Mount Kit – 0.7 yd ³	5	99085	1	Motor Kit, 1/2 hp
3	83273	1	Gear Box Bracket Kit – 0.7 yd ³	6	99087	1	Transmission Kit
Item 2 83274 Powergroup Mount Kit – 0.7 yd³							
7		1	Powergroup Side Plate – DS	12		10	1/2-13 x 3/4 Carriage Bolt SS
8		1	Powergroup Side Plate – PS	13		10	1/2 Flat Washer Type A Wide SS
9	30387	1	Powergroup Mount Kit	14		10	1/2 Spring Lock Washer SS
10		1	Powergroup Brace	15		10	1/2-13 Hex Nut SS
11		2	3/8-16 Hex Rivnut SS				
Item 3 83273 Gear Box Bracket Kit – 0.7 yd³							
12		4	1/2-13 x 3/4 Carriage Bolt SS	15		4	1/2-13 Hex Nut SS
13		4	1/2 Flat Washer Type A Wide SS	16		1	Gear Box Mount Bracket
14		4	1/2 Spring Lock Washer SS				
Item 4 99094 Drive Shaft Kit, Electric							
17		2	3/8-16 x 1-1/2 Carriage Bolt SS	21	94536	1	2-Bolt Flange Bearing 1.125 ID
18		2	3/8 Spring Lock Washer SS	22	99251	1	Drive Shaft Assembly
19		2	3/8-16 Hex Nut SS	23	330	1	1" Retaining Ring
20		2	3/8 Flat Washer SS	24	99479	2	6-Tooth Sprocket
Item 5 99085 Motor Kit, 1/2 hp							
18		2	3/8 Spring Lock Washer SS	26		4	3/8-16 x 1 Hex Cap Screw SS
25		1	Motor, 1/2 hp, 1750 rpm	ns	65195	1	Machine Key, 0.188 sq x 1.000
Item 6 99087 Transmission Kit							
27		1	10 x 10 2X Worm Gear Drive	29		4	M8 Spring Lock Washer SS
28		4	M8-1.25 x 16 Hex Cap Screw SS				
Item 9 30387 Powergroup Mount Kit							
30		1	Chute Pin Guide	32		4	5/16 Flat Washer Type A Narrow
31		4	5/16-18 x 3/4 Carriage Bolt SS	33		4	5/16-18 Hex Locknut GB
SS = Stainless Steel		G = Grade		ns = not shown		M = Metric	

Striker™ HOPPER SPREADER

POWERGROUP COMPONENTS – 0.35 yd³

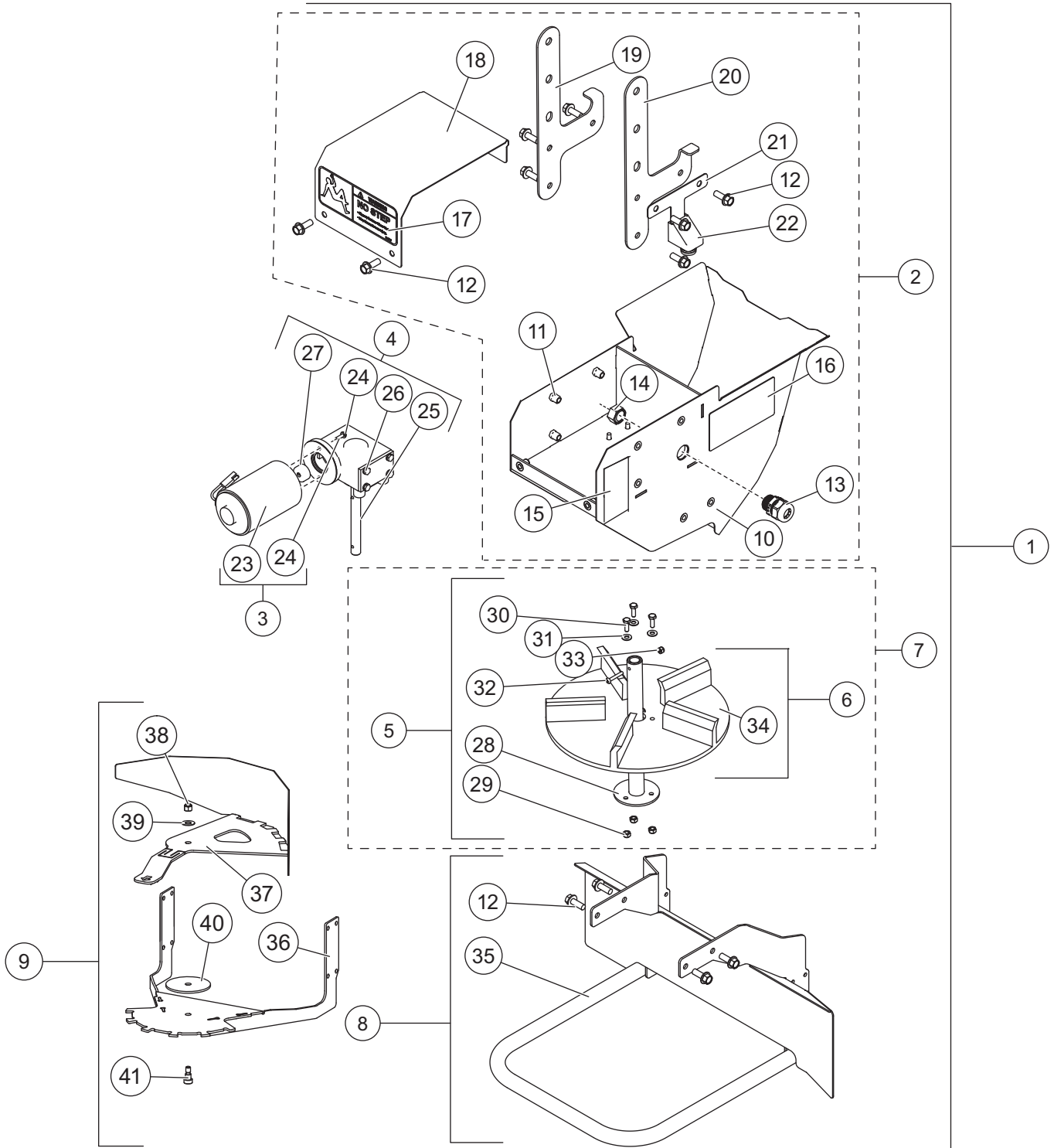


Striker™ HOPPER SPREADER

Powergroup Components – 0.35 yd³							
Item	Part	Qty	Description	Item	Part	Qty	Description
1	85479	1	Motor, 1/2 hp, 1750 rpm	4	94953	1	Spreader Bearing Kit
2	83267	1	Transmission Service Kit, 80:1	5	83263	1	Gear Box Bracket Kit – 0.35 yd ³
3	83264	1	Drive Shaft Kit – 0.35 yd ³	6	83262	1	Powergroup Mount Kit – 0.35 yd ³
Item 1				85479 Motor, 1/2 hp, 1750 rpm			
7	D6825-1	1	Motor, 1/2 hp, 1750 rpm	9		4	3/8 Spring Lock Washer SS
8		4	3/8-16 x 1 Hex Cap Screw SS	10	65195	1	Machine Key, 0.188 sq x 1.000
Item 2				83267 Transmission Service Kit, 80:1			
11	10923	1	Transmission, 80:1 MRVC 040	12		1	M6-1 x 10 Flanged Hex Cap Screw
Item 3				83264 Drive Shaft Kit – 0.35 yd³			
13	74661	1	Gear Box Shaft	19		4	3/8-16 x 1-1/2 Carriage Bolt
14	65909	2	Drive Sprocket Machining 6T	20		4	3/8 Flat Washer Type A Wide SS
15	94536	2	2-Bolt Flange Bearing, 1.125 ID	21		4	3/8 Spring Lock Washer SS
16	95076	2	2.75" Brass Key	22	74678	1	Drive Shaft Coupler – 0.35 yd ³
17		2	1/4-20 x 3/8 Socket Set Screw	23		2	5/16 x 2-1/4 Hex Cap Screw
18		4	3/8-16 Hex Nut SS	24		2	5/16-18 Hex Locknut GB
Item 4				94953 Spreader Bearing Kit			
15	94536	1	2-Bolt Flange Bearing, 1.125 ID	20		2	3/8 Flat Washer Type A Wide SS
18		2	3/8-16 Hex Nut SS	21		2	3/8 Spring Lock Washer SS
19		2	3/8-16 x 1-1/2 Carriage Bolt				
Item 5				83263 Gear Box Bracket Kit – 0.35 yd³			
25		1	Gear Box Mount Bracket – 0.35 yd ³	28		2	3/8-16 x 1 Hex Cap Screw, SS
26		1	3/8-16 Hex Rivnut SS	29		2	3/8-16 x 1 Carriage Bolt
27	91432	1	Motor Coupler Guard	30		2	3/8-16 Hex Locknut GB
Item 6				83262 Powergroup Mount Kit – 0.35 yd³			
31		1	Chain Powergroup Mount – 0.35 yd ³	ns		2	3/8-16 x 1 Carriage Bolt
ns		6	3/8-16 x 1 Hex Cap Screw, SS	ns		2	3/8-16 Hex Locknut GB
		SS = Stainless Steel				G = Grade	
						ns = not shown	
						M = Metric	

Striker™ HOPPER SPREADER

CHUTE & SPINNER DRIVE ASSEMBLY COMPONENTS – 0.7 yd³ & 0.35 yd³

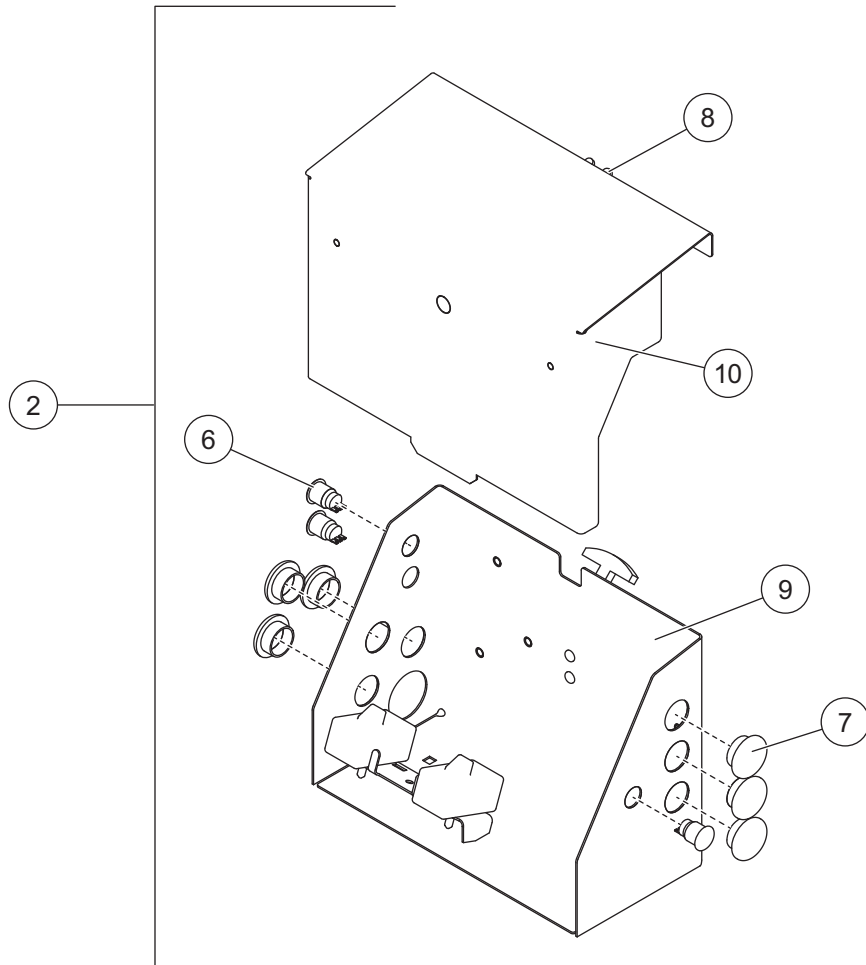
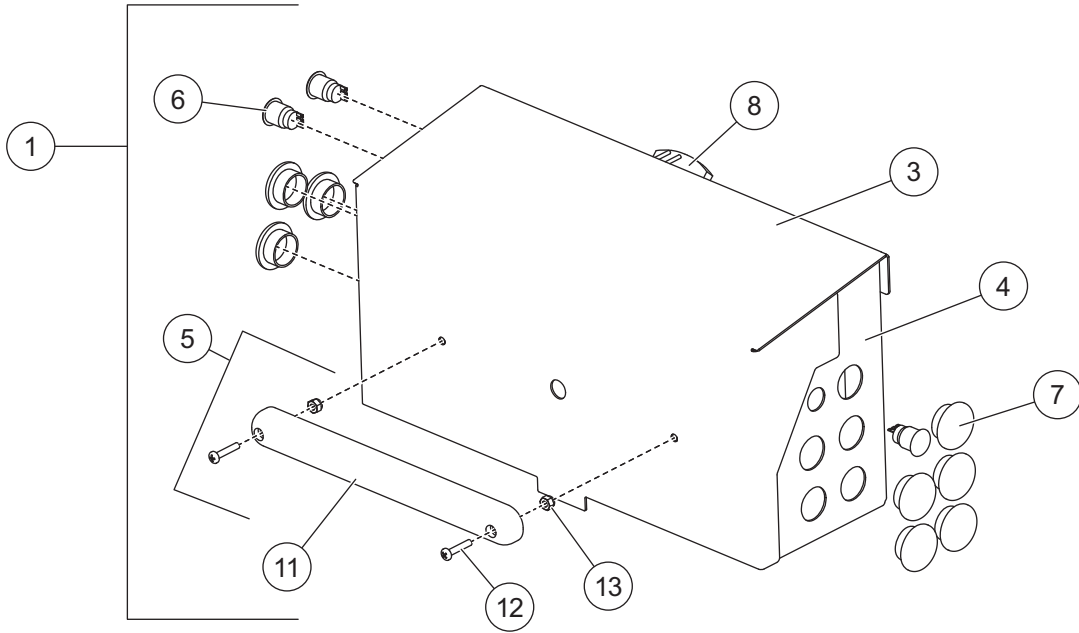


Striker™ HOPPER SPREADER

Chute & Spinner Drive Assembly Components							
Item	Part	Qty	Description	Item	Part	Qty	Description
1	83890	1	Chute Assembly	6	85438	1	Spinner Disk Service Kit
2	83888	1	Spinner Drive Housing	7	83887	1	Spinner Disk and Mount Kit
3	75901	1	Spinner Motor Service Kit	8	85437	1	Spinner Guard Service Kit
4	83722	1	Spinner Transmission Kit	9	83270	1	Shutter Accessory, Chute
5	83889	1	Spinner Mount Kit				
Item 1				83890 Chute Assembly			
	74690	1	Spinner Drive Assembly		91959	2	3/32 x 2-1/4 Hairpin Cotter
	11981	2	Chute Locking Pin				
Item 2				83888 Spinner Drive Housing			
10		1	Chute Motor Enclosure	17	D6545	1	Label – Warning, No Step
11		12	3/8-16 Hex Rivnut SS	18		1	Chute Motor Cover
12		12	3/8-16 x 1 Serrated Flange Hex Cap Screw SS	19	91639	1	Chute Hanger, DS
				20	91641	1	Chute Hanger, PS
13		1	10/2 3/4 NPT Strain Relief	21		1	Cable Boot Bracket
14		1	3/4 Nut, Nylon	22	11992	1	Dust Cover, Spinner Harness
15	29593	2	Label – Warning, Multiple Pinch Points	ns	11100	1	Label – Warning, Rear Camera
16	92969	1	Label – Warning, Chute Disconnect				
Item 3				75901 Spinner Motor Service Kit			
23	72690	1	Motor	24		2	#10-32 x 5/8 Hex Cap Screw
Item 4				83722 Spinner Transmission Kit			
24		2	#10-32 x 5/8 Hex Cap Screw	26		4	1/4-20 x 1/2 Hex Cap Screw
25	D6107	1	Worm Transmission 8:1, 5.9" Shaft	27	D6232	1	Motor Drive Coupler
Item 5				83889 Spinner Mount Kit			
28		1	Spinner Hub	31		3	1/4 Flat Washer, Type A Narrow
29		3	1/4-20 Hex Locknut GB	32		2	#10-32 x 2 Hex Cap Screw
30		3	1/4-20 x 3/4 Hex Cap Screw SS	33		2	#10-32 Hex Locknut GB
Item 6				85438 Spinner Disk Service Kit			
34	D6823	1	12 x 5/8 Spinner	ns		3	1/4 Flat Washer SS
ns		3	1/4-20 x 1 Serrated Flange Hex Cap Screw SS	ns		3	1/4-20 Nylon Nut
Item 7				83887 Spinner Disk and Mount Kit			
5	83889	1	Spinner Mount Kit	6	85438	1	Spinner Disk Service Kit
Item 8				85437 Spinner Guard Service Kit			
12		4	3/8-16 x 1 Serrated Flange Hex Cap Screw SS	35		1	Deflector
Item 9				83270 Shutter Accessory, Chute			
36		1	Shutter Mount	39		1	3/8 Flat Washer SS
37		1	Shutter Deflector	40		1	Plastic Washer
38		2	5/16-18 Hex Locknut GB SS	41		1	3/8 x 5/16 x 5/16-18 Shoulder Bolt SS
		G = Grade				SS = Stainless Steel	
						ns = not shown	

Striker™ HOPPER SPREADER

ELECTRICAL ENCLOSURE ASSEMBLY – 0.7 yd³ & 0.35 yd³

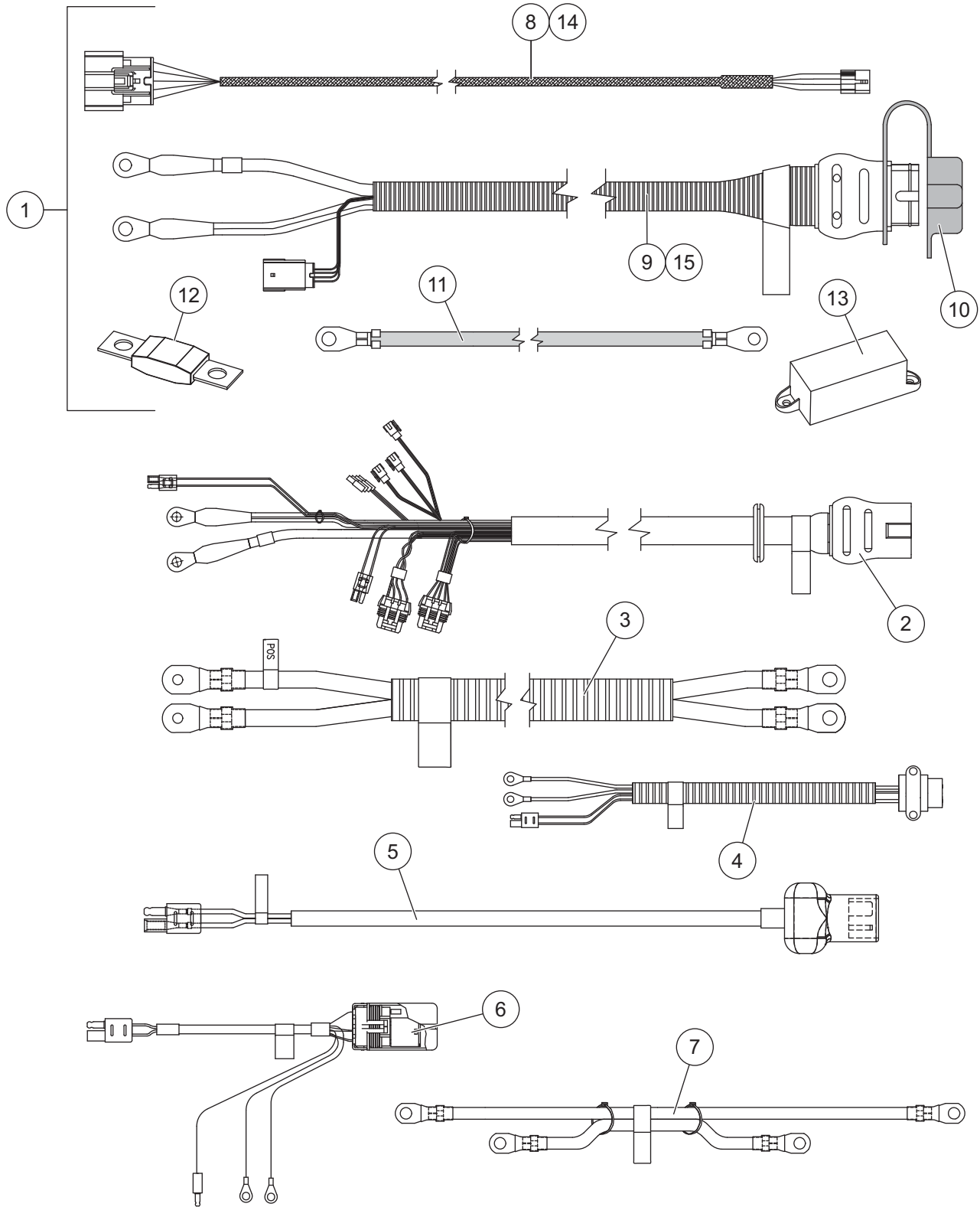


Striker™ HOPPER SPREADER

Electrical Enclosure Components							
Item	Part	Qty	Description	Item	Part	Qty	Description
1	83299	1	Electrical Box Assembly – 0.7 yd ³	2	83292	1	Electrical Box Assembly – 0.35 yd ³
Item 1				83299 Electrical Box Assembly – 0.7 yd³			
3		1	Mailbox Cover	8		1	Keeper
4		1	Electrical Enclosure – 0.7 yd ³	ns		1	Rubber Latch Assembly
5	99080	1	CHMSL Kit	ns		4	3/16 Pop Rivet
6	99254	3	Switch, Push Button MO	ns	87480	1	Label – Information, Feed/Work Light
7	99195	8	Break-Thru Plug	ns	85481	1	Label – Information, Feed Light
Item 2				83292 Electrical Box Assembly – 0.35 yd³			
6	99254	3	Switch, Push Button MO	ns		1	Rubber Latch Assembly
7	99195	6	Break-Thru Plug	ns		4	3/16 Pop Rivet
8		1	Keeper	ns	87480	1	Label – Information, Feed/Work Light
9		1	Electrical Enclosure – 0.35 yd ³	ns	85481	1	Label – Information, Feed Light
10		1	Mailbox Cover – 0.35 yd ³				
Item 5				99080 CHMSL Kit			
11		1	CHMSL w/8" Lead	13		2	#10-32 Hex Locknut GB SS
12		2	#10-32 x 1 Machine Screw				
		G = Grade				SS = Stainless Steel	
						ns = not shown	

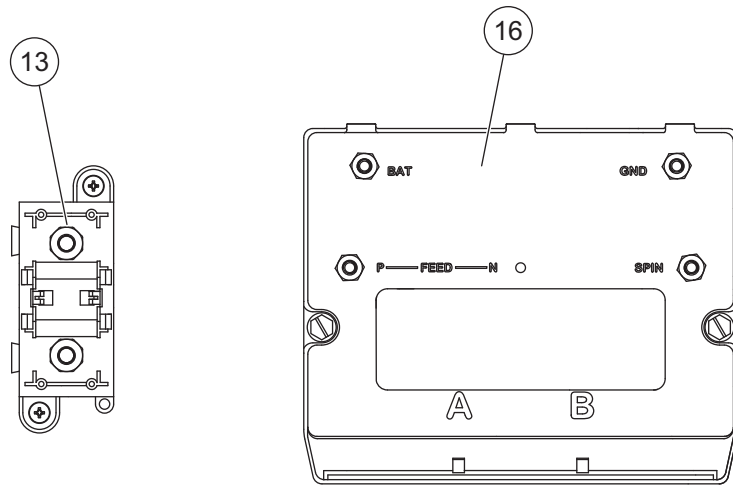
Striker™ HOPPER SPREADER

ELECTRICAL COMPONENTS – 0.7 yd³ & 0.35 yd³



Not drawn to scale.

Striker™ HOPPER SPREADER

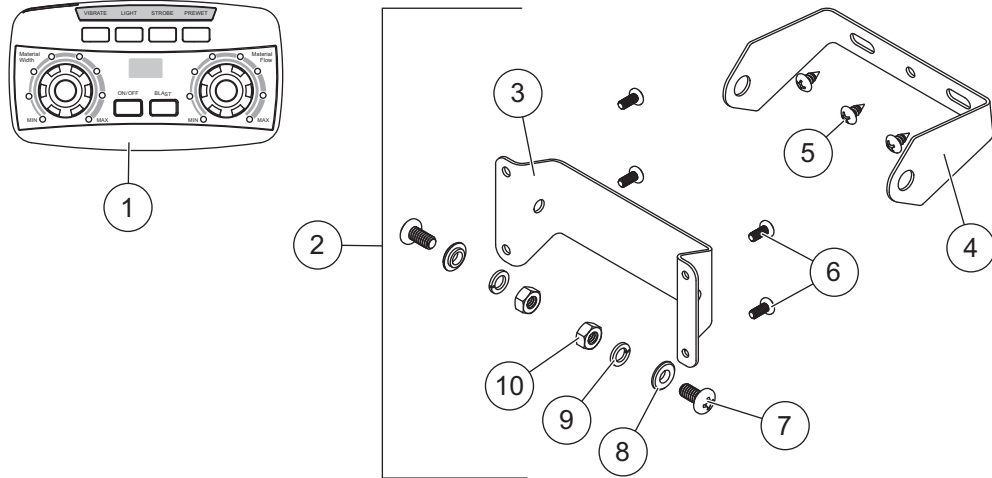


Cables & Harnessing, Electrical Components

Item	Part	Qty	Description	Item	Part	Qty	Description
1	78402	1	Vehicle-Side Harness Kit, 300"	6	78382	1	Vibrator Harness Assembly
	85692	1	Vehicle-Side Harness Kit, 140"	7	78385	1	Module to Isolated Stud Cable Assy
2	83688	1	Hopper Cable Assembly	ns	83712	1	Vibrator Extension Harness, 24"
3	78987	1	Module to Auger Motor Cable Assy	ns	69916	1	8-Pin Cable Boot
4	85448	1	Spinner Module Cable Assembly	ns	61592	1	Butt Splice
5	78883	1	Spinner Motor Cable Assembly				
Item 1 78402 Vehicle-Side Harness Kit, 300"							
8	69902	1	Vehicle Control Harness	12	95836	1	Fuse, 100A
9	83690	1	Vehicle Harness Assy (incl. item 10)	13	95837	2	Fuse Holder/Isolated Stud Block
10	99759	1	Plug Cover	ns		6	Cable Tie, HD
11	22511	1	22" Battery Cable – Red	ns		10	Cable Tie, 15.35"
Item 1 85692 Vehicle-Side Harness Kit, 140"							
11	22511	1	22" Battery Cable – Red	ns		2	1/4-20 x 3/4 Hex Cap Screw SS
12	95836	1	Fuse, 100A	ns		2	1/4-20 Hex Locknut GB
13	95837	2	Fuse Holder/Isolated Stud Block	ns		2	1/4 Flat Washer, Type A Narrow
14	69901	1	Vehicle Control Harness	ns		6	Cable Tie, HD
15	78904	1	Vehicle Harness Assy (incl. item 10)	ns		10	Cable Tie, 15.35"
Electrical Box Components							
13	95837	1	Fuse Holder/Isolated Stud Block	16	52385	1	Spreader Module, 4-Post
ns = not shown			G = Grade			SS = Stainless Steel	

Striker™ HOPPER SPREADER

CAB CONTROL



99534 Cab Control Kit							
Item	Part	Qty	Description	Item	Part	Qty	Description
1	99774	1	Cab Control 2-Knob	2	52345	1	Cab Control Bracket Kit
Item 2				52345 Cab Control Bracket Kit			
3		1	Control Bracket, Inner	7		2	1/4-20 x 1/2 Pan Head Machine Screw SS – Black Oxide
4		1	Control Bracket, Outer	8		2	1/4 Shoulder Washer – Black Oxide
5		3	#10 x 3/8 Tapping Screw SS	9		2	1/4 Lock Washer SS
6		4	#8-32 x 3/8 Phillips Pan Head Machine Screw	10		2	1/4-20 Hex Nut G5 – Black Oxide
G = Grade				SS = Stainless Steel			

Striker™ HOPPER SPREADER

ACCESSORIES

Accessory Kits			
Part	Description	Part	Description
99494	Strobe Light Kit	85696	Spill Guard Kit – 0.35 yd ³
99505-1	Primary Work Light Kit	85697	Spill Guard Kit – 0.7 yd ³
99732-1	Auxiliary Work Light Kit	85698	Side Extensions – 0.35 yd ³
85694	License Plate Kit	85699	Side Extensions – 0.7 yd ³
11763	Grease Point Kit (0.7 yd ³ only)	85693	Truck Conversion Kit – 0.35 yd ³
76668	Vibrator Kit	85706	Inverted V Kit – 0.35 yd ³
85692	Vehicle-Side Harness Kit – 0.35 yd ³	85707	Inverted V Kit – 0.7 yd ³
78402	Vehicle-Side Harness Kit – 0.7 yd ³	30062	Tarp Kit – 0.35 yd ³
68790	Ratchet Strap Kit (pkg of 4)	30063	Tarp Kit – 0.7 yd ³
85695	Pre-Wet, Chain, 50-gal	30055	Bungee Kit, 9" – 0.35 yd ³
99080	CHMSL Kit	30056	Bungee Kit, 15" – 0.7 yd ³

Striker™ HOPPER SPREADER



Western Products
PO Box 245038
Milwaukee, WI 53224-9538
www.westernplows.com

 A DIVISION OF DOUGLAS DYNAMICS, LLC

Copyright © 2021 Douglas Dynamics, LLC. All rights reserved. This material may not be reproduced or copied, in whole or in part, in any printed, mechanical, electronic, film, or other distribution and storage media, without the written consent of Western Products. Authorization to photocopy items for internal or personal use by Western Products outlets or spreader owner is granted.

Western Products reserves the right under its product improvement policy to change construction or design details and furnish equipment when so altered without reference to illustrations or specifications used. Western Products or the vehicle manufacturer may require or recommend optional equipment for spreaders. Do not exceed vehicle ratings with a spreader. Western Products offers a limited warranty for all spreaders and accessories. See separately printed page for this important information. The following are registered (®) or unregistered (™) trademarks of Douglas Dynamics, LLC: Striker™, WESTERN®.

Printed in U.S.A.