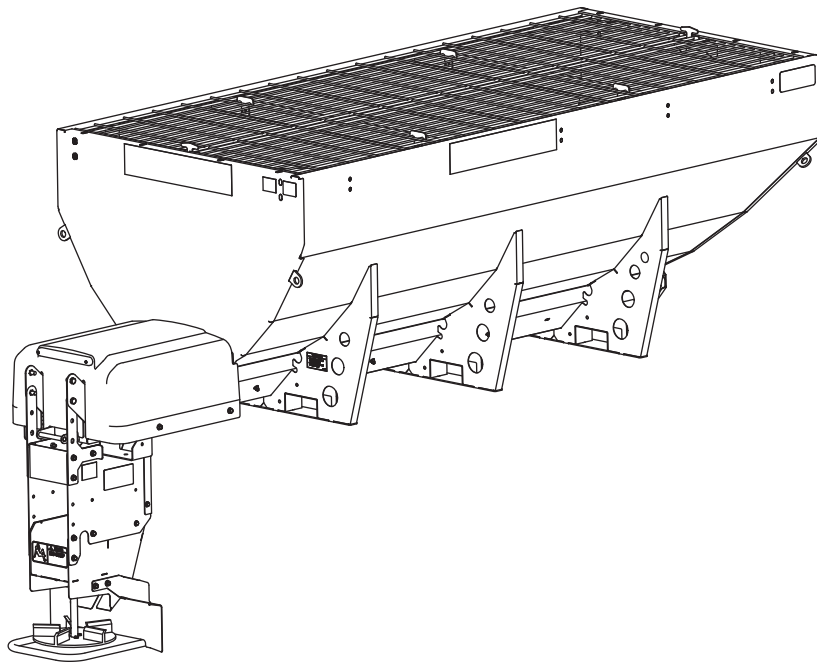




# HELIXX™ Stainless Steel Hopper Spreader

1.5, 2.0, 3.0, 4.5, & 6.0 yd<sup>3</sup>

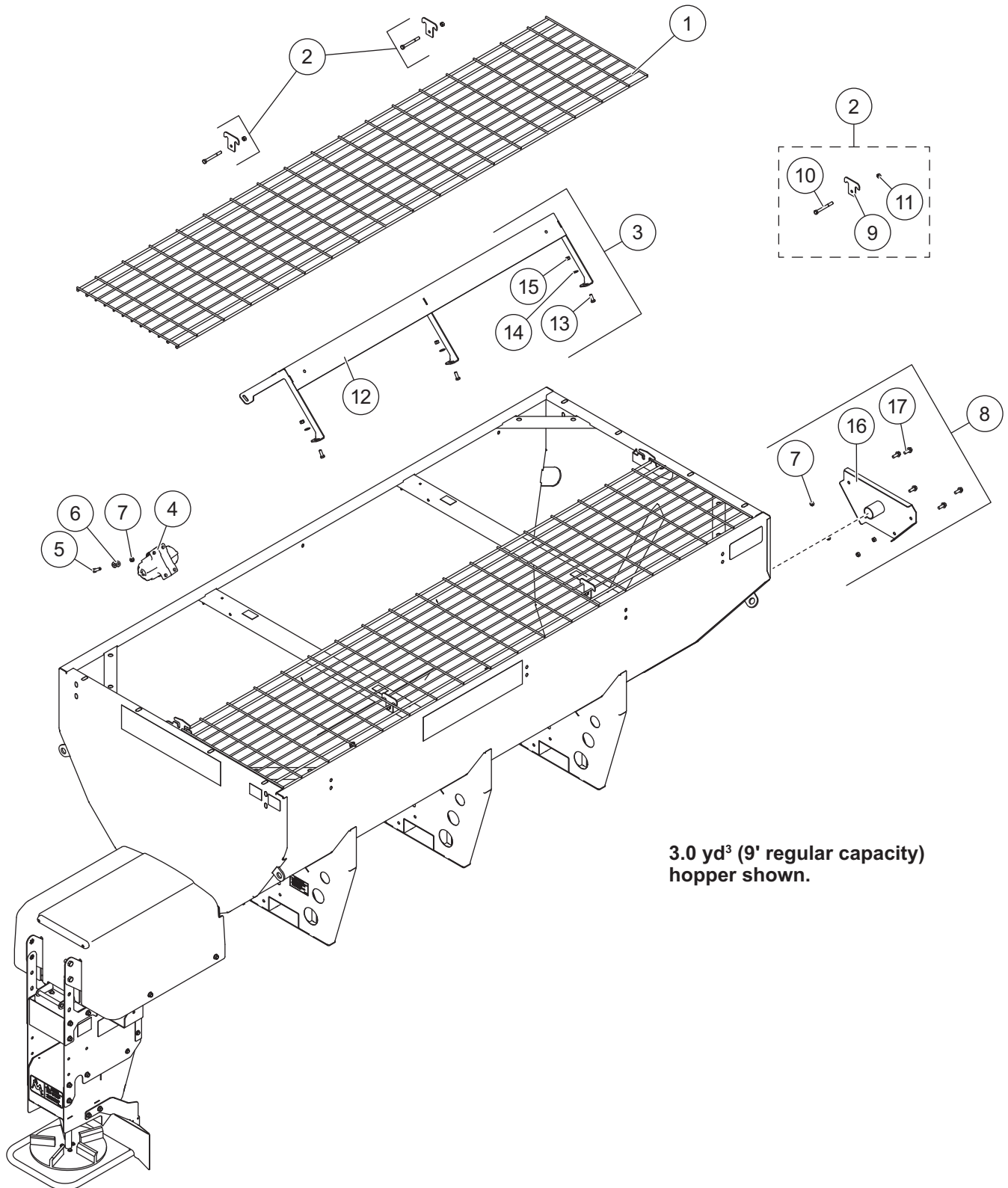
## Parts List



This Parts List is for SnowEx® HELIXX stainless steel hopper spreaders  
with serial numbers beginning with 191001 and higher.

# HELIXX™ STAINLESS STEEL HOPPER SPREADERS

## HOPPER ASSEMBLY



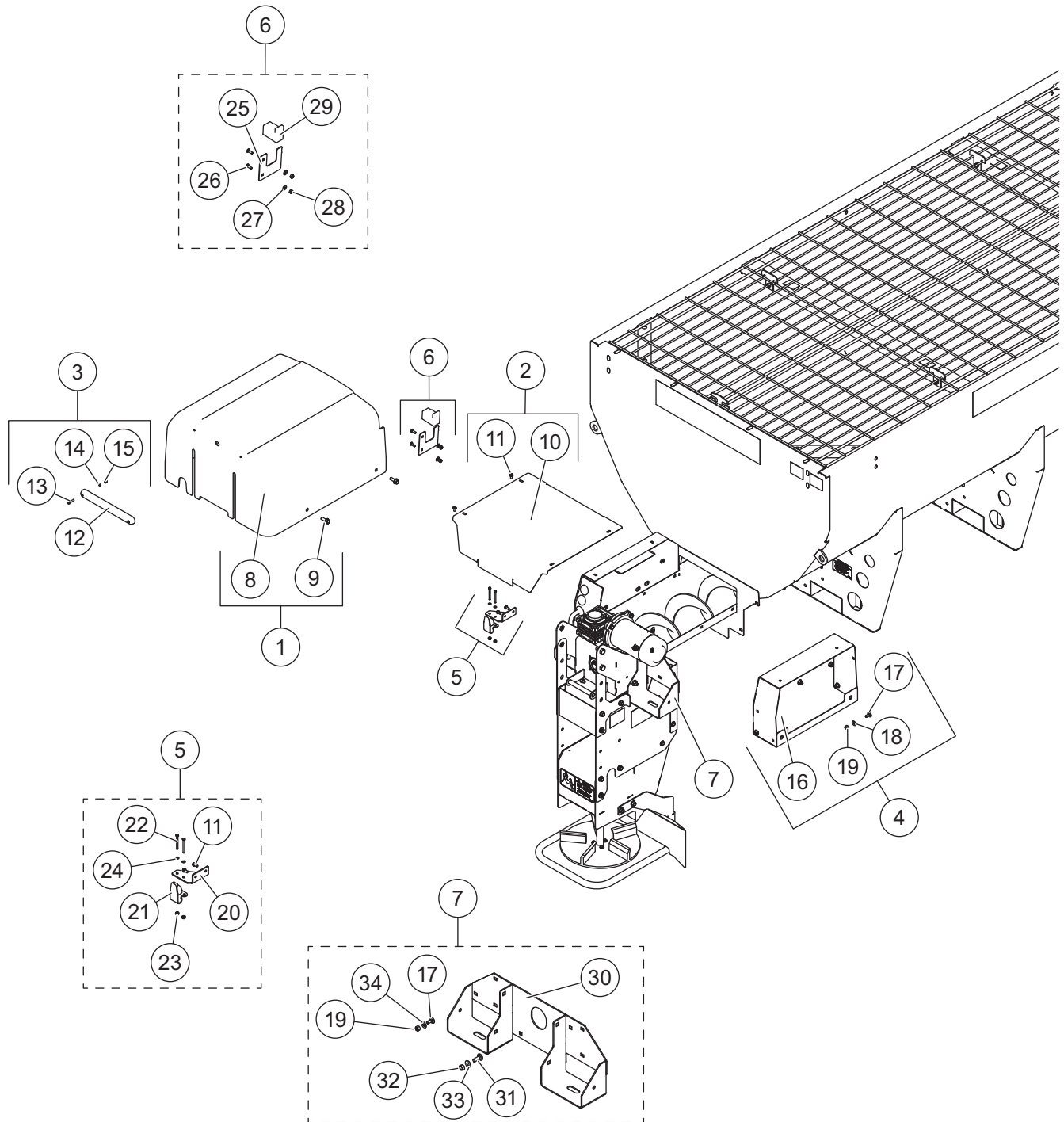
**3.0 yd<sup>3</sup> (9' regular capacity)  
hopper shown.**

# HELIXX™ STAINLESS STEEL HOPPER SPREADERS

<b>Hopper Assembly Components</b>						
Item	Part	Qty	Description	Item	Part	Qty Description
1	99515	2	Top Screen – 1.5 yd <sup>3</sup> (7') Hopper	ns	85468	1 Inverted V Kit – 7' & 8' Hoppers
	99516	2	Top Screen – 2.0 yd <sup>3</sup> (8') Hopper	4	75673	1 Vibrator Kit
	99517	2	Top Screen – 3.0 yd <sup>3</sup> (9' RC) Hopper	5		4 3/8-16 x 1-1/2 Hex Cap Screw SS
	99518	2	Top Screen – 4.5 yd <sup>3</sup> (9' HC) Hopper	6		8 3/8 Flat Washer SS
	99519	2	Top Screen – 6.0 yd <sup>3</sup> (10') Hopper	7		4 3/8-16 Hex Locknut GB SS
2	85470	1	Screen Attachment Kit (set of 4)	8	85471	1 Cab-Side Trough Cap Kit
3	85469	1	Inverted V Kit – 9' & 10' Hoppers			
<b>Item 2                                 85470 Screen Attachment Kit (set of 4)</b>						
9	4	Screen Bracket Clamp	11	4	3/8-16 Hex Locknut GB SS	
10	4	3/8-16 x 3-1/2 Hex Cap Screw SS				
<b>Item 3                                 85469 Inverted V Kit (9' &amp; 10' hoppers)</b>						
12	1	Inverted V, Long	14	6	3/8 Spring Lock Washer SS	
13	6	3/8-16 x 1 Carriage Bolt	15	6	3/8-16 Hex Nut SS	
<b>85468 Inverted V Kit (7' &amp; 8' hoppers)</b>						
ns	1	Inverted V, Short	14	4	3/8 Spring Lock Washer SS	
13	4	3/8-16 x 1 Carriage Bolt	15	4	3/8-16 Hex Nut SS	
<b>Item 8                                 85471 Cab-Side Trough Cap Kit</b>						
7	4	3/8-16 Hex Locknut GB SS	17	4	3/8-16 x 1 Serrated Flange Hex Cap Screw SS	
16	1	Front Trough Cap				
ns = not shown      RC = Regular Capacity      HC = High Capacity      SS = Stainless Steel      G = Grade						

# HELIXX™ STAINLESS STEEL HOPPER SPREADERS

## COVER ASSEMBLIES

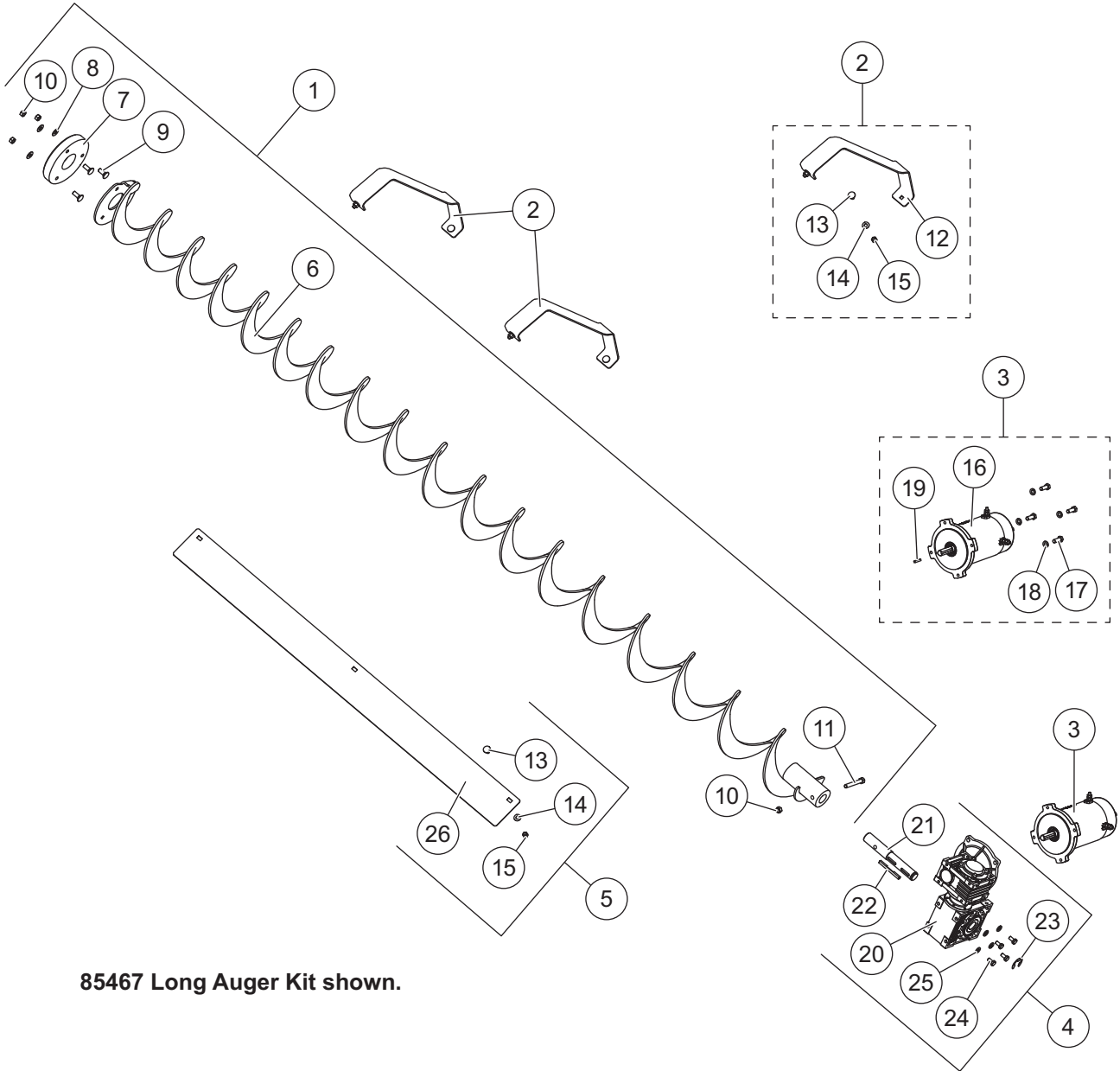


# HELIXX™ STAINLESS STEEL HOPPER SPREADERS

<b>Cover Assemblies</b>							
<b>Item</b>	<b>Part</b>	<b>Qty</b>	<b>Description</b>	<b>Item</b>	<b>Part</b>	<b>Qty</b>	<b>Description</b>
1	85475	1	Auger Extension Cover Service Kit	ns	D6335	2	Label – Warning, Rotating Auger
2	85474	1	Trough Extension Cover Service Kit	ns	D6544	1	Label – Warning, Rotating Parts
3	85449	1	CHMSL Kit	ns	D6545	1	Label – Warning, No Step
4	85473	1	Saddle Bag Service Kit	ns	D6546	1	Label – Warning, GVWR
5	85476	1	Spinner Module Dust Cover Service Kit	ns	11100	1	Label – Warning, Rear Camera
6	85478	1	Harness Boot Service Kit	ns	29593	2	Label – Warning, Multiple Pinch Points
7	85464	1	Rear Fork Pocket Service Kit	ns	67272	1	Label – Caution, Do Not Lift
ns	D6192	1	Label – Warning, Hands & Feet	ns	92969	1	Label – Warning, Chute Disconnect
ns	D6194	1	Label – Warning, Read Owner's Manual	ns	92971	1	Label – Warning, Disconnect Spinner
<b>Item 1</b>				<b>85475 Auger Extension Cover Service Kit</b>			
8		1	Auger Extension Cover	9		4	3/8-16 x 1 Serrated Flange Hex Cap Screw SS
<b>Item 2</b>				<b>85474 Trough Extension Cover Service Kit</b>			
10		1	Trough Extension Cover	11		4	1/4-20 x 1/2 Hex Washer-Head Machine Screw SS
<b>Item 3</b>				<b>85449 CHMSL Kit</b>			
12		1	CHMSL, 8" Lead	14		2	#10 Flat Washer SS
13		2	#10-32 x 1 Phillips Pan Head Screw SS	15		2	#10-32 Hex Locknut GB SS
<b>Item 4</b>				<b>85473 Saddle Bag Service Kit</b>			
16		1	Saddle Bag Enclosure	19		8	5/16-18 Hex Locknut GB
17		8	5/16-18 x 3/4 Carriage Bolt SS	ns		8	3/8-16 Hex Rivnut SS
18		8	5/16 Flat Washer SS, Type A Narrow				
<b>Item 5</b>				<b>85476 Spinner Module Dust Cover Service Kit</b>			
11		2	1/4-20 x 1/2 Hex Washer-Head Machine Screw SS	22		2	#10-32 x 2 Hex Cap Screw MS
20		1	Chute Harness Bracket	23		2	#10-32 Hex Locknut GB SS
21	11991	1	Dust Cover, Spinner Plug	24		2	#10 Flat Washer, Type A SS
<b>Item 6</b>				<b>85478 Harness Boot Service Kit</b>			
25		1	Harness Boot Holder	28		2	1/4-20 Hex Locknut GB
26		2	1/4-20 x 3/4 Carriage Bolt	29		1	8-Pin Cable Boot
27		2	1/4 Flat Washer, Type A Narrow				
<b>Item 7</b>				<b>85464 Rear Fork Pocket Service Kit</b>			
17		6	5/16-18 x 3/4 Carriage Bolt SS	32		8	3/8-16 Hex Locknut GB
19		6	5/16-18 Hex Locknut GB	33		8	3/8 Flat Washer SS
30		1	Rear Attachment	34		6	5/16 Flat Washer SS
31		8	3/8-16 x 1 Carriage Bolt				
		ns = not shown				SS = Stainless Steel	
						MS = Mild Steel	
						G = Grade	

# HELIXX™ STAINLESS STEEL HOPPER SPREADERS

## DRIVETRAIN ASSEMBLY



# HELIXX™ STAINLESS STEEL HOPPER SPREADERS

Drivetrain Assembly Components							
Item	Part	Qty	Description	Item	Part	Qty	Description
1	85467	1	Auger Kit, Long – 9' & 10' Hoppers	4	85431	1	Transmission Kit
ns	85466	1	Auger Kit, Short – 7' & 8' Hoppers	5	85477	1	Wear Plate, Long – 9' & 10' Hoppers
2	85422	1*	Auger Keeper Kit	ns	85422	1	Wear Plate, Short – 7' & 8' Hoppers
3	85432	1	Motor Kit 3/4 hp – 9' & 10' Hoppers				
ns	85479	1	Motor Kit 1/2 hp – 7' & 8' Hoppers				
<b>Item 1</b>				<b>85467 Auger Kit, Long – 9' &amp; 10' Hoppers</b>			
6		1	Auger, 107", 6" OD	9		3	3/8-16 x 1 Carriage Bolt
7	11888	1	Front Auger Bearing	10		4	3/8-16 Hex Locknut GB SS
8		3	3/8 Flat Washer SS	11		1	3/8-16 x 2-3/4 Hex Cap Screw
<b>85466 Auger Kit, Short – 7' &amp; 8' Hoppers</b>				<b>85422 Auger Keeper Kit</b>			
ns		1	Auger, 92", 6" OD	9		3	3/8-16 x 1 Carriage Bolt
7	11888	1	Front Auger Bearing	10		4	3/8-16 Hex Locknut GB SS
8		3	3/8 Flat Washer SS	11		1	3/8-16 x 2-3/4 Hex Cap Screw
<b>Item 2</b>				<b>85432 Motor Kit 3/4 hp – 9' &amp; 10' Hoppers</b>			
12		1	Auger Keeper	14		2	5/16 Flat Washer SS
13		2	5/16-18 x 3/4 Carriage Bolt	15		2	5/16-18 Hex Locknut GB SS
<b>Item 3</b>				<b>85479 Motor Kit 1/2 hp – 7' &amp; 8' Hoppers</b>			
16		1	3/4 hp Motor 1750 rpm	18		4	3/8 Spring Lock Washer SS
17		4	3/8-16 x 1 Hex Cap Screw SS	19		1	Machine Key, 3/16 x 1
<b>Item 4</b>				<b>85431 Transmission Kit</b>			
20		1	10 x 10 2X Worm Gear Drive	23		1	1" Retaining Ring
21	11892	1	Auger Drive Shaft	24		4	M8-1.25 x 16 Hex Cap Screw SS
22	99572	1	Machine Key, 1/4 x 3	25		4	M8 Spring Lock Washer SS
<b>Item 5</b>				<b>85477 Wear Plate, Long – 9' &amp; 10' Hoppers</b>			
13		4	5/16-18 x 3/4 Carriage Bolt	15		4	5/16-18 Hex Locknut GB SS
14		4	5/16 Flat Washer SS	26		1	Auger Wear Plate, Long
<b>85422 Wear Plate, Short – 7' &amp; 8' Hoppers</b>				<b>85422 Wear Plate, Short – 7' &amp; 8' Hoppers</b>			
13		3	5/16-18 x 3/4 Carriage Bolt	15		3	5/16-18 Hex Locknut GB SS
14		3	5/16 Flat Washer SS	ns		1	Auger Wear Plate, Short

ns = not shown

G = Grade

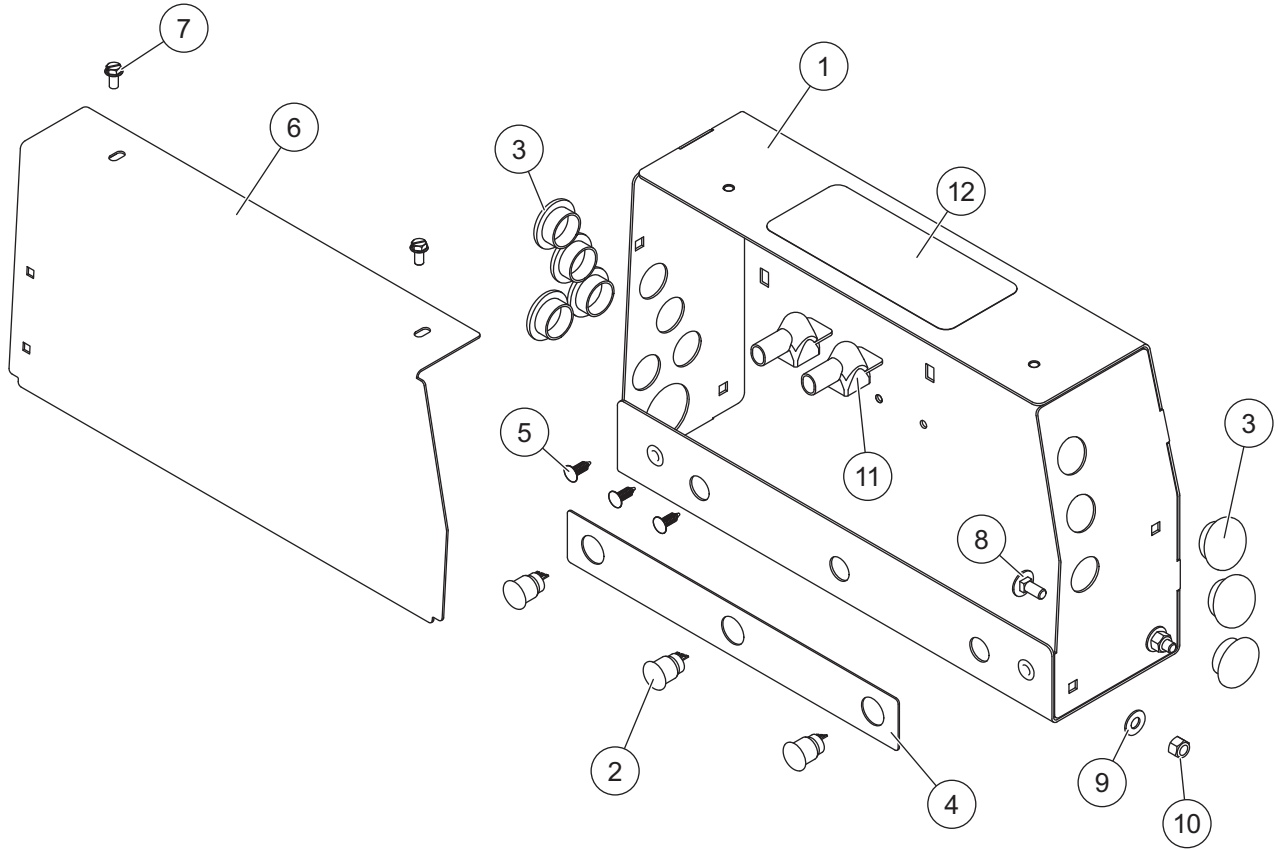
SS = Stainless Steel

M = Metric

\* The short auger kit (PN 85466) requires one auger keeper; long auger kit (PN 85467) requires two auger keepers.

# HELIXX™ STAINLESS STEEL HOPPER SPREADERS

## ELECTRICAL BOX ASSEMBLY



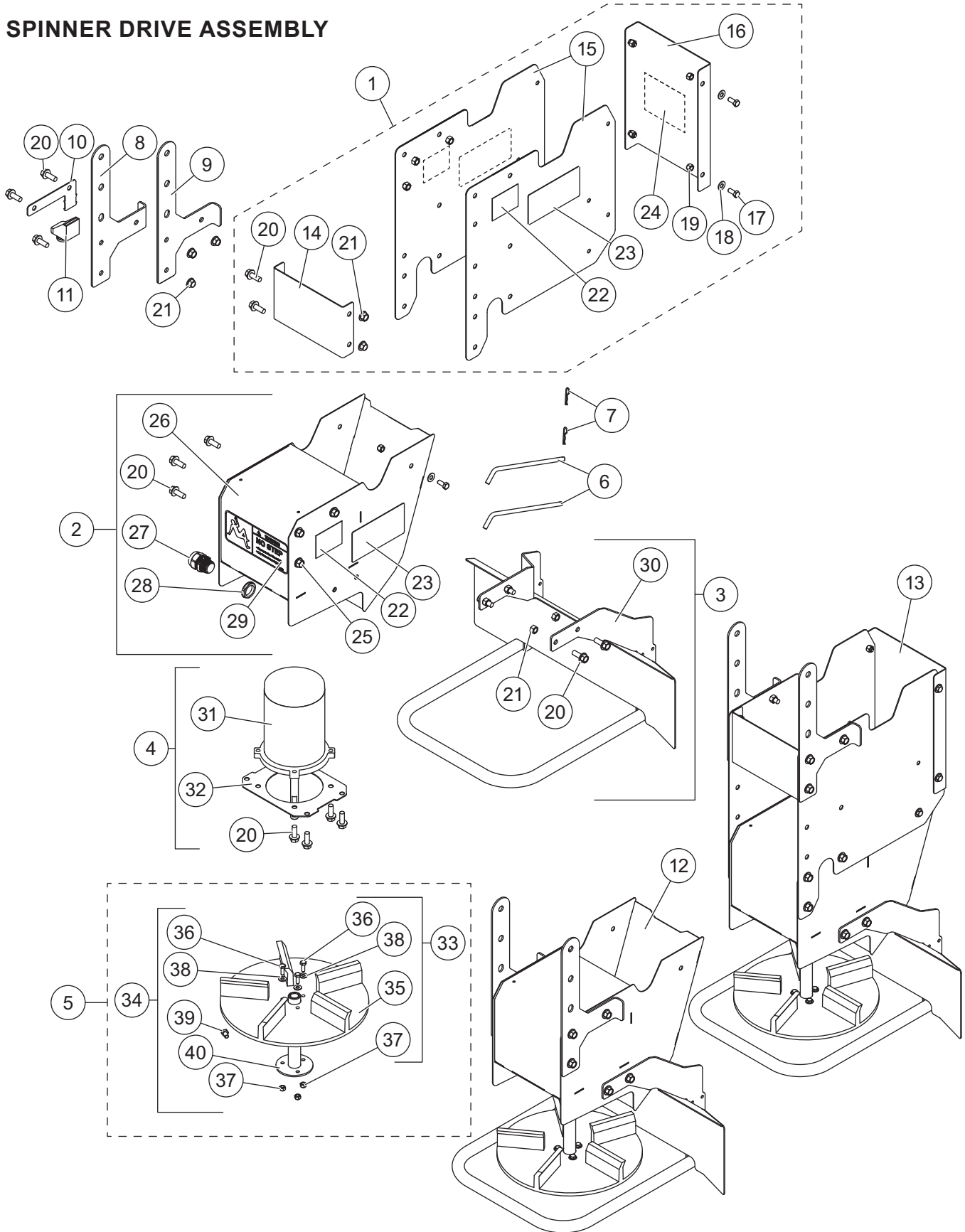


# HELIXX™ STAINLESS STEEL HOPPER SPREADERS

85472 Electrical Box Assembly							
Item	Part	Qty	Description	Item	Part	Qty	Description
1		1	Electrical Enclosure	7		2	1/4-20 x 1/2 Hex Washer-Head Machine Screw
ns		2	3/8-16 Hex Rivnut SS				
2	99254	3	Switch, Push Button MO	8		8	5/16-18 x 3/4 Carriage Bolt SS
3		7	Break-Thru Plug	9		8	5/16 Flat Washer SS
4	77420	1	Label – Information, Material Feed/ Work Light Control	10		8	5/16-18 Hex Locknut GB SS
5		3	1/4 x 3/4 x 1/2 Push Retainer	11		2	Motor Terminal Cover
6		1	Electrical Box Cover	12	D6335	1	Label – Warning, Rotating Auger
		G = Grade				ns = not shown	
						SS = Stainless Steel	

# HELIXX™ STAINLESS STEEL HOPPER SPREADERS

## SPINNER DRIVE ASSEMBLY



# HELIXX™ STAINLESS STEEL HOPPER SPREADERS

<b>Spinner Drive Assembly Components</b>							
<b>Item</b>	<b>Part</b>	<b>Qty</b>	<b>Description</b>	<b>Item</b>	<b>Part</b>	<b>Qty</b>	<b>Description</b>
1	80221*	1	Chute Extension Kit	8	11871	1	Chute Hanger – DS
2	85434	1	Spinner Drive Housing	9	11872	1	Chute Hanger – PS
3	85437	1	Spinner Guard Service Kit	10	90774	1	Cable Boot Bracket
4	85436	1	Spinner Motor Service Kit	11	11992	1	Spinner Harness Dust Cover
5	80222	1	Spinner Disk Kit	12	77570	1	Spinner Drive Assembly Kit
6	11981	2	Chute Locking Pin	13	77571	1	Spinner Drive Extension Assembly Kit
7	D4135	2	0.093 x 2-3/8 Hair Pin Cotter, Zinc				
<b>Item 1 80221* Chute Extension Kit</b>							
14		1	Chute Extension Stiffener	20		6	3/8-16 x 1 Serrated Flange Hex Cap Screw SS
15		2	Chute Extension Side Plate	21		6	3/8-16 Locknut SS
16		1	Chute Extension Funnel	22	29593	2	Label – Warning, Multiple Pinch Points
17		6	5/16-18 x 3/4 Hex Cap Screw SS	23	11100	1	Label – Warning, Rear Camera
18		6	5/16 Flat Washer SS	24	92971	1	Label – Warning, Disconnect
19		6	5/16-18 Hex Locknut SS				
<b>Item 2 85434 Spinner Drive Housing</b>							
20		6	3/8-16 x 1 Serrated Flange Hex Cap Screw SS	26		1	Chute Motor Enclosure
22	29593	2	Label – Warning, Multiple Pinch Points	27		1	10/2 3/4 NPT Strain Relief
23	11100	1	Label – Warning, Rear Camera	28		1	3/4 Locknut, Nylon
25		6	3/8-16 Hex Rivnut SS	29	D6545	1	Label – Warning, No Step
<b>Item 3 85437 Spinner Guard Service Kit</b>							
20		4	3/8-16 x 1 Serrated Flange Hex Cap Screw SS	21		4	3/8-16 Locknut SS
				30		1	Deflector
<b>Item 4 85436 Spinner Motor Service Kit</b>							
20		4	3/8-16 x 1 Serrated Flange Hex Cap Screw SS	31	D6887	1	Spinner Motor, Direct Drive
				32		1	Spinner Motor Plate
<b>Item 5 80222 Spinner Disk Kit</b>							
33	85438	1	Spinner Disk Service Kit	34	85439	1	Spinner Disk Mount Service Kit
<b>Item 33 85438 Spinner Disk Service Kit</b>							
35	D6823	1	12 x 5/8 Spinner	37		3	1/4-20 Locknut Zinc
36		3	1/4-20 x 1 Serrated Hex Washer-Head Cap Screw SS	38		3	1/4 Flat Washer SS
<b>Item 34 85439 Spinner Disk Mount Service Kit</b>							
36		3	1/4-20 x 1 Serrated Hex Washer-Head Cap Screw SS	38		3	1/4 Flat Washer SS
37		3	1/4-20 Locknut Zinc	39		1	5/16-18 x 1/2 Hex Cap Screw SS
				40	11874	1	Spinner Hub

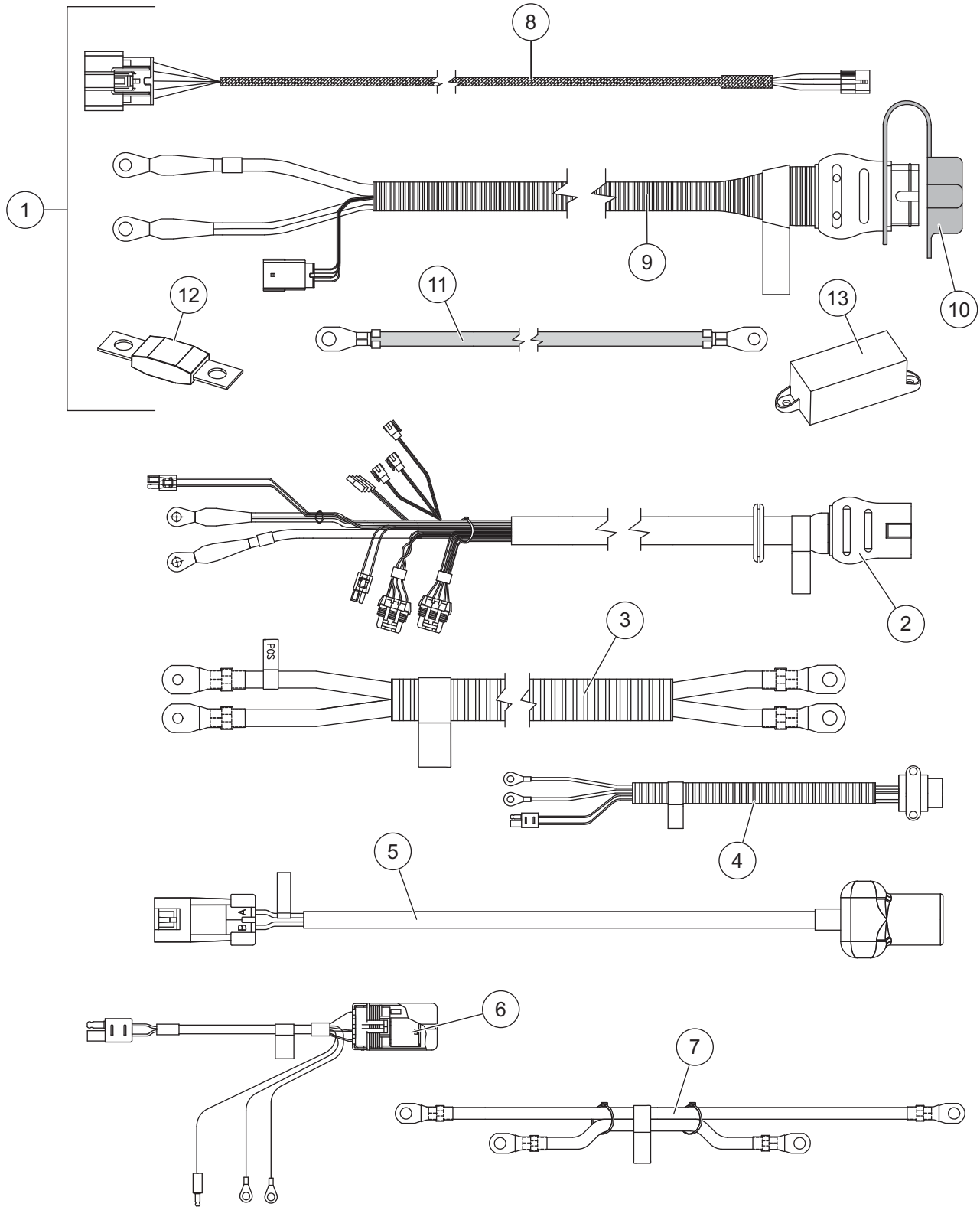
ns = not shown

SS = Stainless Steel

\* Accessory only for 1.5 & 2.25 yd<sup>3</sup> hopper spreaders.

# HELIXX™ STAINLESS STEEL HOPPER SPREADERS

## CONTROL & ELECTRICAL COMPONENTS

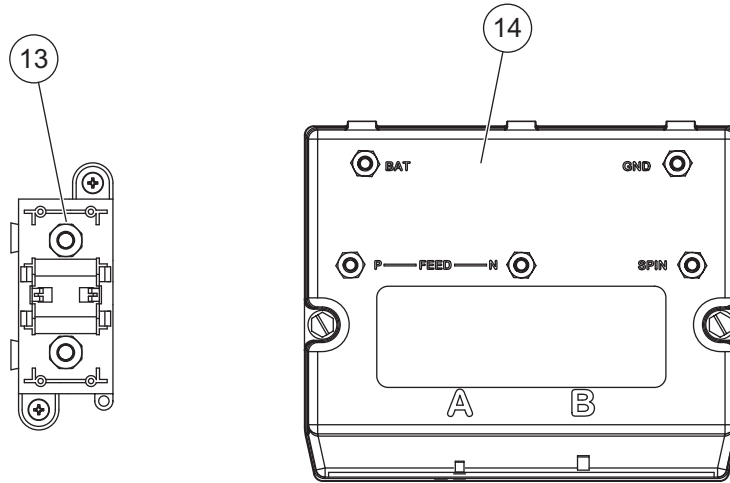


Not drawn to scale.

# HELIXX™ STAINLESS STEEL HOPPER SPREADERS

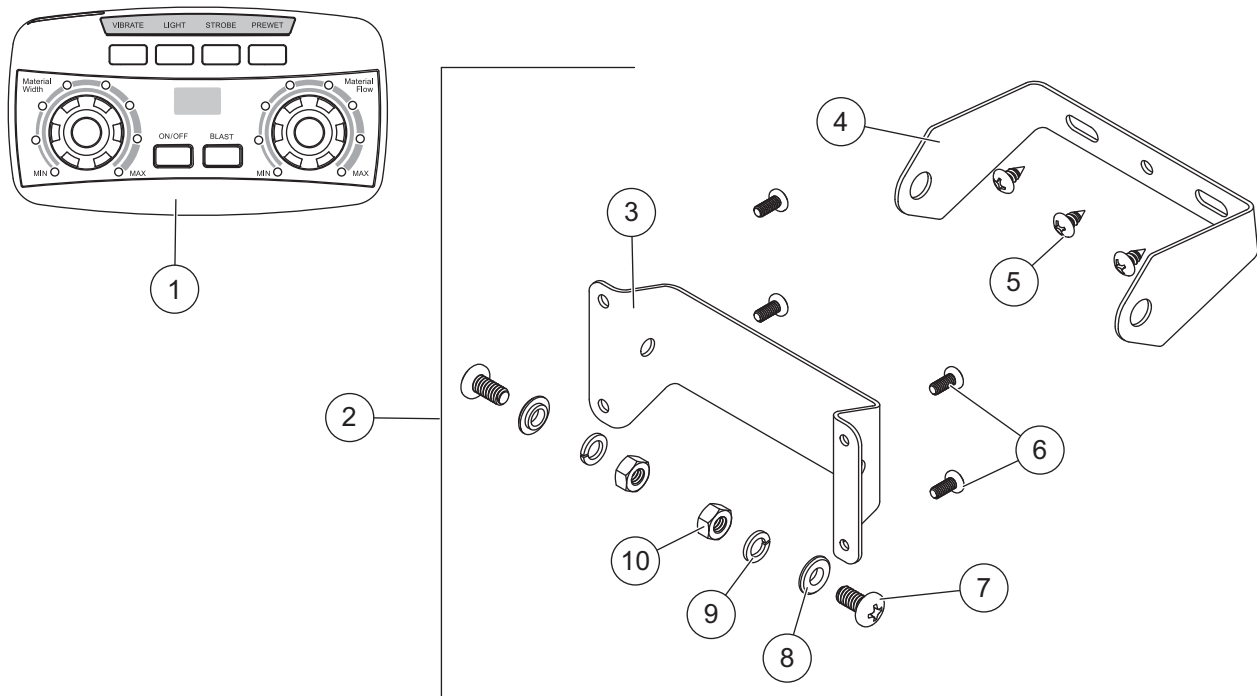
## CONTROL & ELECTRICAL COMPONENTS

Cables & Harnessing / Electrical Enclosure Assembly							
Item	Part	Qty	Description	Item	Part	Qty	Description
1	83695	1	Vehicle-Side Harness Kit	ns	83712	1	Vibrator Extension Harness, 24"
2	83688	1	Hopper Cable Assembly	ns	78025-2	1	Stop Light Assembly, 60" Lead
3	78987	1	Module to Auger Motor Cable Assy	ns		1	#10-32 x 1 Phillips Pan Head Screw SS
4	85448	1	Spinner Module Cable Assembly	ns		1	#10-32 Locknut GB
5	85435	1	Spinner Motor Cable Assembly	ns		1	#10 Flat Washer Type A SS
6	78382	1	Vibrator Harness Assembly	ns	69916	1	8-Pin Cable Boot
7	78385	1	Module to Isolated Stud Cable Assy	ns	61592	1	Butt Splice
<b>Item 1</b>				<b>83695 Vehicle-Side Harness Kit</b>			
8	69902	1	Vehicle Control Harness	12	95836	1	Fuse, 100A
9	83690	1	Vehicle Harness Assy (incl. item 10)	13	95837	2	Fuse Holder/Isolated Stud Block
10	99759	1	Plug Cover	ns		6	Cable Tie, HD
11	22511	1	22" Battery Cable – Red	ns		10	Cable Tie, 15.35"
Electrical Box Components							
13	95837	1	Fuse Holder/Isolated Stud Block	14	52375	1	Spreader Module, 5-Post
ns = not shown		G = Grade		SS = Stainless Steel			



# HELIXX™ STAINLESS STEEL HOPPER SPREADERS

## CONTROL & ELECTRICAL COMPONENTS



52430 Cab Control Kit							
Item	Part	Qty	Description	Item	Part	Qty	Description
1	52432	1	Cab Control 2-Knob	2	52345	1	Cab Control Bracket Kit
<b>Item 2</b>				<b>52345 Cab Control Bracket Kit</b>			
3		1	Bracket, Control Inner	7		2	1/4-20 x 1/2 Pan Head Machine Screw SS – Black
4		1	Bracket, Control Outer	8		2	1/4 Shoulder Washer SS – Black
5		3	#10 x 3/8 Pan Head Tapping Screw SS	9		2	1/4 Spring Lock Washer SS
6		4	#8 x 3/8 Pan Head Machine Screw	10		2	1/4-20 Hex Nut G5 – Black
SS = Stainless Steel				G = Grade			

# HELIXX™ STAINLESS STEEL HOPPER SPREADERS

## ACCESSORIES

Part	Description	Part	Description
92178	License Plate Kit	92533	Truck Mount Kit, 3 Bars (9' & 10' hoppers)
85456	Work Light Kit	99690	Tie-Down Kit, SH Chain
85457	Auxiliary Work Light Kit	72750	Steel Hopper Cover (7', 8' & 9' RC hoppers)
85458	Strobe Light Kit	72770	Steel Hopper Cover (9' HC & 10' hoppers)
78402	Vehicle-Side Harness Kit	81120	50" Spill Guard
99488	Hopper-Side Extension Kit	81119	70" Spill Guard
92532	Truck Mount Kit, 2 Bars (7' & 8' hoppers)	85459	Vibrator Kit
68790	Ratchet Strap Kit (pkg of 4)		
HC = High Capacity		RC = Regular Capacity	

Liquid Kits						
Part	Description	Qty				
		1.5 yd <sup>3</sup>	2 yd <sup>3</sup>	3.0 yd <sup>3</sup>	4.5 yd <sup>3</sup>	6 yd <sup>3</sup>
74610	100 gal HELIXX Liquid Kit, 4 x 25-gal Tanks	1	1	–	–	–
74620	200 gal HELIXX Liquid Kit, 4 x 50-gal Tanks	–	–	1	1	1
74630	100 gal HELIXX Liquid Kit, 2 x 50-gal Tanks	–	–	1	1	1



TrynEx International, LLC  
531 Ajax Drive  
Madison Heights, MI 48071-2429  
[www.snowexproducts.com](http://www.snowexproducts.com)

 A DIVISION OF DOUGLAS DYNAMICS, LLC

Copyright © 2021 Douglas Dynamics, LLC. All rights reserved. This material may not be reproduced or copied, in whole or in part, in any printed, mechanical, electronic, film, or other distribution and storage media, without the written consent of TrynEx International, LLC. Authorization to photocopy items for internal or personal use by TrynEx International outlets or spreader owner is granted.

TrynEx International reserves the right under its product improvement policy to change construction or design details and furnish equipment when so altered without reference to illustrations or specifications used. TrynEx International or the vehicle manufacturer may require or recommend optional equipment for spreaders. Do not exceed vehicle ratings with a spreader. TrynEx International offers a limited warranty for all spreaders and accessories. See separately printed page for this important information. The following are registered (®) or unregistered (™) trademarks of Douglas Dynamics, LLC: HELIXX™, SnowEx®.

**Printed in U.S.A.**