



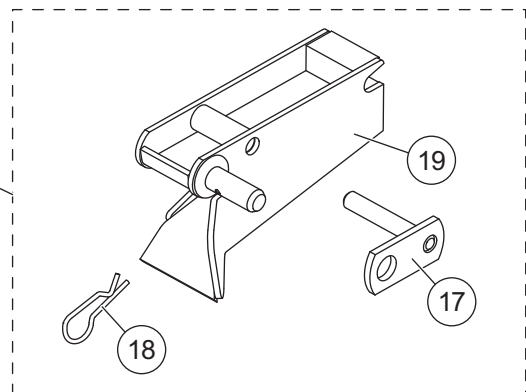
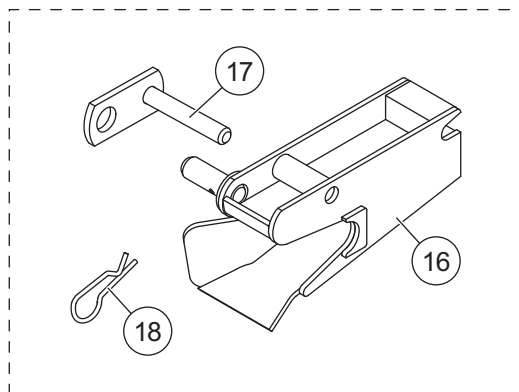
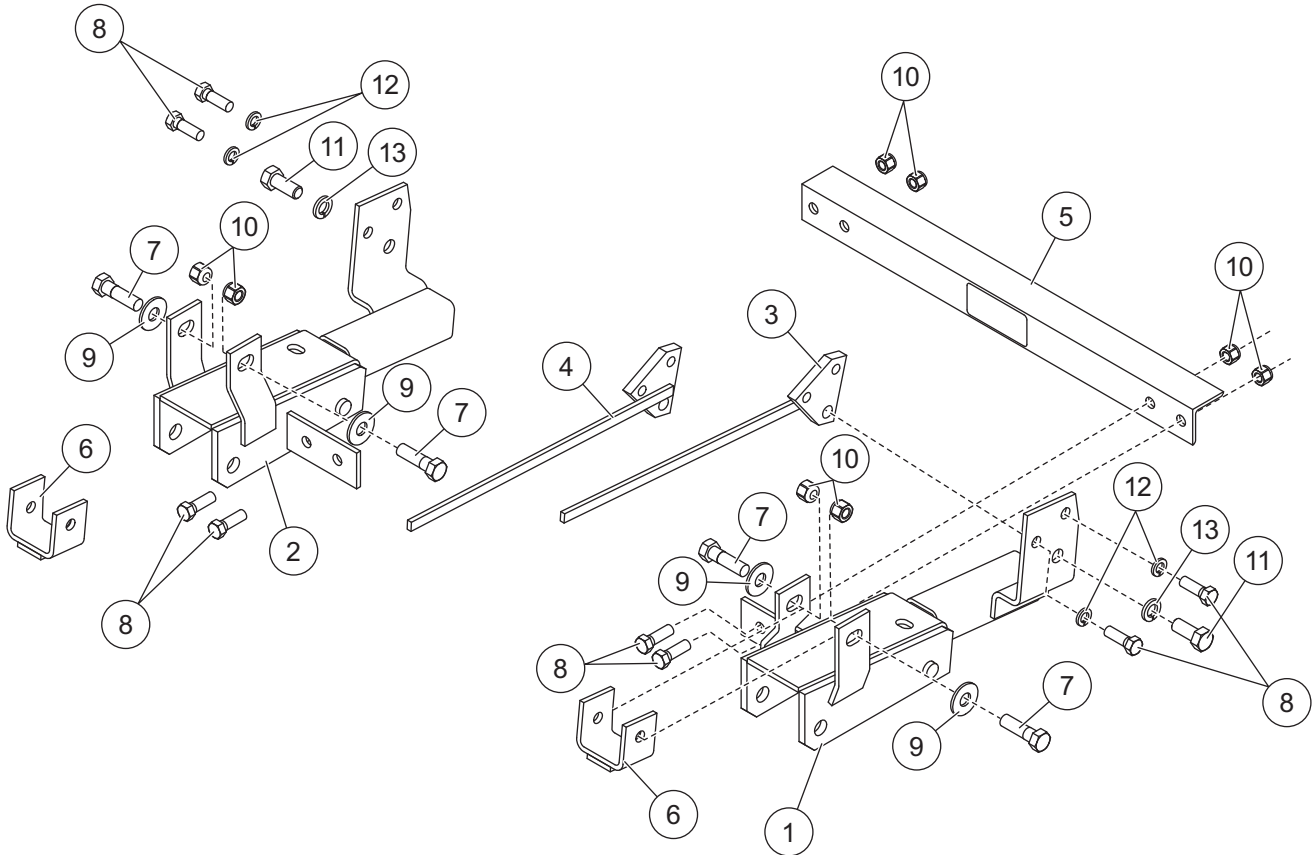
A DIVISION OF DOUGLAS DYNAMICS, L.L.C.

Western Products  
 PO Box 245038  
 Milwaukee, WI 53224-9538  
 www.westernplows.com

67810

MOUNT KIT MODEL NO. 1229

Ford F-150 4X4	1997 - 03
Ford F-150 Heritage	2004
Ford F-250LD 4X4	1997 - 99



\* The Receiver Kits are packaged and sold separately. Items in these kits are not included in the Mount Assembly Box, and must be purchased separately.

## PARTS LIST – MODEL 67810

<b>67810 Mount Kit 1229</b>							
Item	Part	Qty	Description	Item	Part	Qty	Description
1	67811	1	Mount, DS	5	67774	1	Bar, Cross w/Name Plate
2	67819	1	Mount, PS	6	63425	2	Spacer
3	62322	1	Nut Bar, DS	ns	67505	1	Bolt Bag – 67810
4	62323	1	Nut Bar, PS				
<b>67505 Bolt Bag – 67810</b>							
7	90101	4	1/2-13 x 1-3/4 Hex Cap Screw G5	11	90127	2	5/8-11 x 1-1/2 Hex Cap Screw G5
8	90210	8	1/2-13 x 1-1/2 Hex Cap Screw G5	12	91205	4	1/2 Spring Lock Washer
9	91105	4	1/2 Flat Washer, Type A Wide	13	90366	2	5/8 Spring Lock Washer
10	91335	8	1/2-13 Hex Locknut GB Topping				
ns = not shown				G = Grade			

<b>Item 14* 67859 Passenger-Side Receiver Kit *</b>							
Item	Part	Qty	Description	Item	Part	Qty	Description
16		1	Receiver, PS	18	91965K	1	5/32" Hairpin Cotter
17	67665	1	Pin, Receiver				

<b>Item 15* 67858 Driver-Side Receiver Kit *</b>							
Item	Part	Qty	Description	Item	Part	Qty	Description
19		1	Receiver, DS	18	91965K	1	5/32" Hairpin Cotter
17	67665	1	Pin, Receiver				

\* The Receiver Kits are packaged and sold separately. Items in these kits are not included in the Mount Assembly Box, and must be purchased separately.

Copyright © 2009 Douglas Dynamics, L.L.C. All rights reserved. This material may not be reproduced or copied, in whole or in part, in any printed, mechanical, electronic, film or other distribution and storage media, without the written consent of Western Products. Authorization to photocopy items for internal or personal use by Western Products outlets or snowplow owner is granted.

Western Products reserves the right under its product improvement policy to change construction or design details and furnish equipment when so altered without reference to illustrations or specifications used. Western Products or the vehicle manufacturer may require or recommend optional equipment for snow removal. Do not exceed vehicle ratings with a snowplow. Western Products offers a limited warranty for all snowplows and accessories. See separately printed page for this important information. The following are registered (®) or unregistered (™) trademarks of Douglas Dynamics, L.L.C.: UltraMount®, WESTERN®.

Printed in U.S.A.