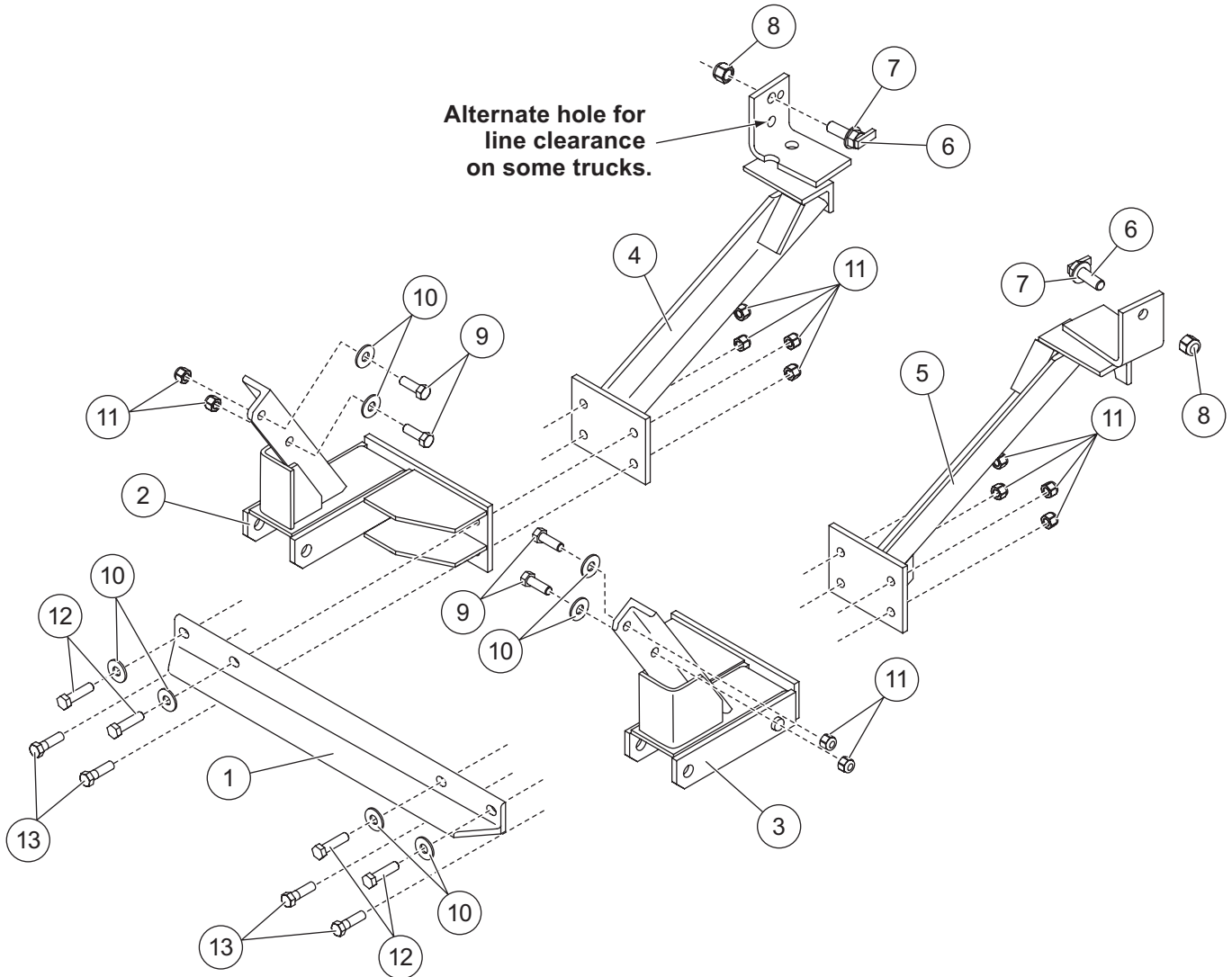


Mount Kit
Chevy/GMC Light Truck 4X4 1973 - 87
Blazer/Jimmy/Suburban 4X4 1973 - 91

63900

October 15, 2014
 Lit. No. 63877, Rev. 04

PARTS LIST



63900 Mount Kit							
Item	Part	Qty	Description	Item	Part	Qty	Description
1	63899	1	Cross Bar	4	63896	1	Thrust Arm, PS
2	63901	1	Front Mount, PS	5	63895	1	Thrust Arm, DS
3	63907	1	Front Mount, DS	ns	63905	1	Bolt Bag – 63900
63905 Bolt Bag – 63900							
6	62059	2	5/8-11 x 1-3/4 Hex Cap Screw w/Tab	11		12	1/2-13 Hex Locknut GB
7		2	5/8 Flat Washer	12		4	1/2-13 x 2 Hex Cap Screw G5
8		2	5/8-11 Hex Locknut GB	13		4	1/2-13 x 1-3/4 Hex Cap Screw G5
9		4	1/2-13 x 1-1/2 Hex Cap Screw G5	ns		1	Battery Adapters, Side Terminal
10		8	1/2 Flat Washer	ns		5	Cable Tie – Long
ns = not shown				G = Grade			

Copyright © 2014 Douglas Dynamics, LLC. All rights reserved. This material may not be reproduced or copied, in whole or in part, in any printed, mechanical, electronic, film or other distribution and storage media, without the written consent of the company. Authorization to photocopy items for internal or personal use by the company's outlets or snowplow owner is granted.

The company reserves the right under its product improvement policy to change construction or design details and furnish equipment when so altered without reference to illustrations or specifications used. This equipment manufacturer or the vehicle manufacturer may require or recommend optional equipment for snow removal. Do not exceed vehicle ratings with a snowplow. The company offers a limited warranty for all snowplows and accessories. See separately printed page for this important information.

Printed in U.S.A.
