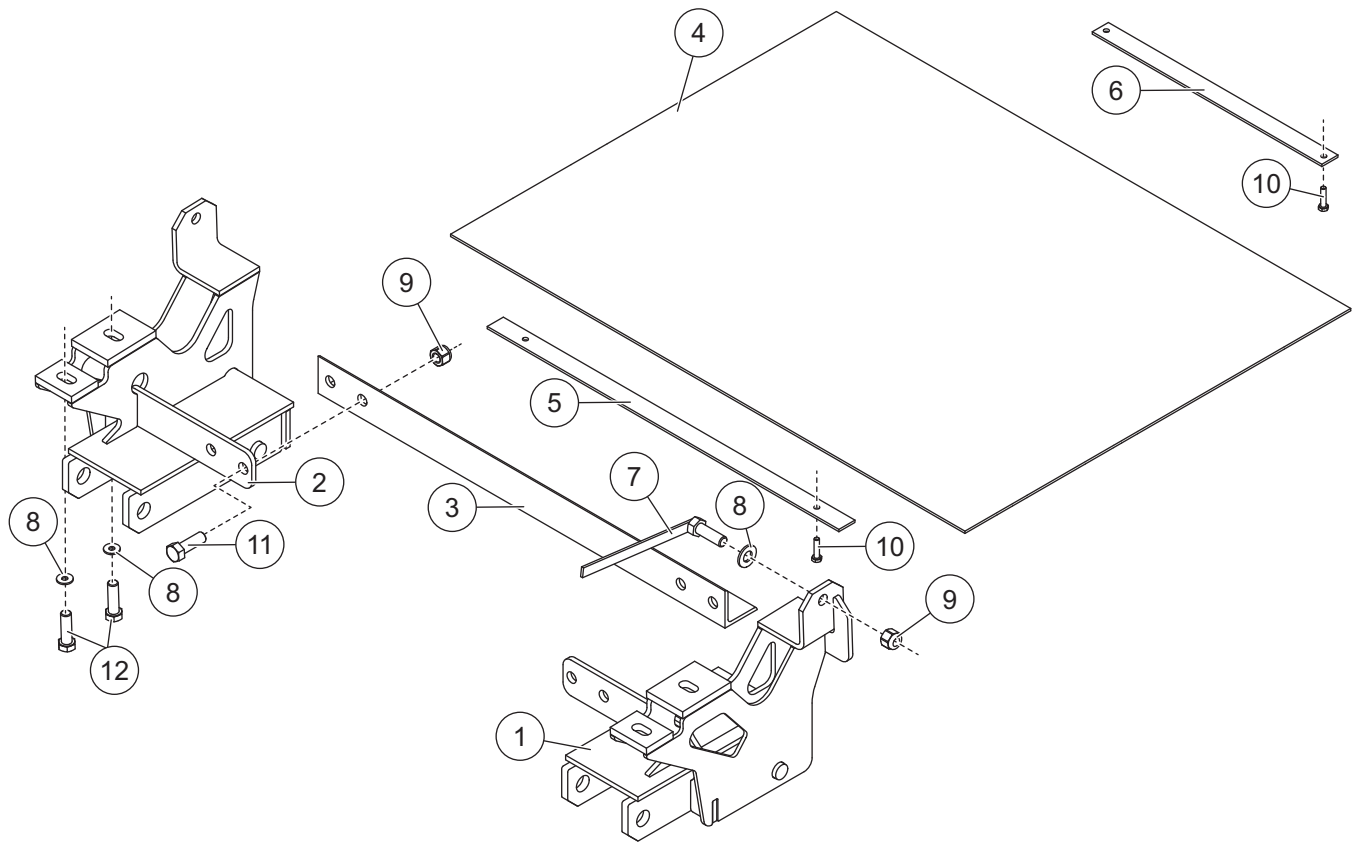


December 15, 2010
 Lit. No. 48908, Rev. 00

PARTS LIST



| 35066-1 Mount Kit | | | | | | | |
|--------------------------|-------|-----|---------------------------------|------|-----------|-----|--|
| Item | Part | Qty | Description | Item | Part | Qty | Description |
| 1 | 48905 | 1 | Mount, DS | 6 | 64644 | 1 | Splash Shield Retainer, Rear |
| 2 | 48907 | 1 | Mount, PS | 7 | 21590 | 2 | 1/2-13 x 1-1/2 Hex Cap Screw G5 w/Handle |
| 3 | 67696 | 1 | Bar, Cross | ns | 48346 | 1 | Bolt Bag – 35066-1 |
| 4 | 64683 | 1 | Splash Shield Replacement Kit | | | | |
| 5 | 64643 | 1 | Splash Shield Retainer, Front | | | | |
| 48346 Bolt Bag – 35066-1 | | | | | | | |
| 8 | | 6 | 1/2 Hardened Flat Washer | 11 | | 4 | 1/2-13 x 1-1/2 Hex Cap Screw G5 |
| 9 | | 6 | 1/2-13 Hex Locknut GB | 12 | | 4 | M12-1.25 x 40 Hex Cap Screw G8.8 |
| 10 | | 4 | M6-1.00 x 25 Hex Cap Screw G8.8 | | | | |
| ns = not shown | | | M = Metric | | G = Grade | | |

Copyright © 2010 Douglas Dynamics, L.L.C. All rights reserved. This material may not be reproduced or copied, in whole or in part, in any printed, mechanical, electronic, film or other distribution and storage media, without the written consent of the company. Authorization to photocopy items for internal or personal use by the company's outlets or snowplow owner is granted.

The company reserves the right under its product improvement policy to change construction or design details and furnish equipment when so altered without reference to illustrations or specifications used. This equipment manufacturer or the vehicle manufacturer may require or recommend optional equipment for snow removal. Do not exceed vehicle ratings with a snowplow. The company offers a limited warranty for all snowplows and accessories. See separately printed page for this important information.

Printed in U.S.A.
