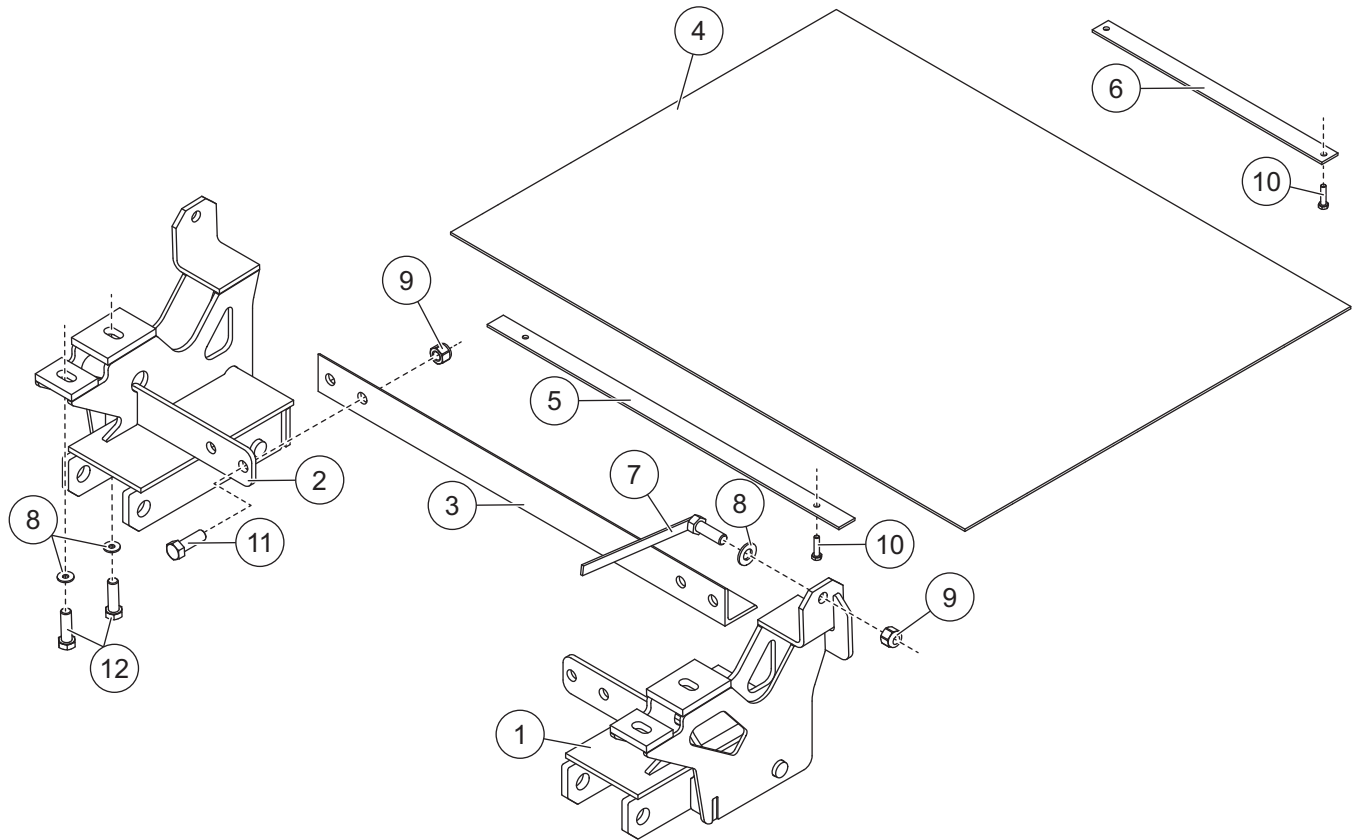


PARTS LIST



35066 Mount Kit						
Item	Part	Qty	Description	Item	Part	Qty Description
1	48336	1	Mount, DS	6	64644	1 Splash Shield Retainer, Rear
2	48337	1	Mount, PS	7	21590	2 1/2-13 x 1-1/2 Hex Cap Screw G5 w/Handle
3	67696	1	Bar, Cross	ns	48346	1 Bolt Bag – 35066
4	64683	1	Splash Shield Replacement Kit			
5	64643	1	Splash Shield Retainer, Front			
48346 Bolt Bag – 35066						
8		6	1/2 Hardened Flat Washer	11		4 1/2-13 x 1-1/2 Hex Cap Screw G5
9		6	1/2-13 Hex Locknut GB	12		4 M12-1.25 x 40 Hex Cap Screw G8.8
10		4	M6-1.00 x 25 Hex Cap Screw G8.8			
ns = not shown			M = Metric		G = Grade	

Copyright © 2010 Douglas Dynamics, L.L.C. All rights reserved. This material may not be reproduced or copied, in whole or in part, in any printed, mechanical, electronic, film or other distribution and storage media, without the written consent of the company. Authorization to photocopy items for internal or personal use by the company's outlets or snowplow owner is granted.

The company reserves the right under its product improvement policy to change construction or design details and furnish equipment when so altered without reference to illustrations or specifications used. This equipment manufacturer or the vehicle manufacturer may require or recommend optional equipment for snow removal. Do not exceed vehicle ratings with a snowplow. The company offers a limited warranty for all snowplows and accessories. See separately printed page for this important information.

Printed in U.S.A.
