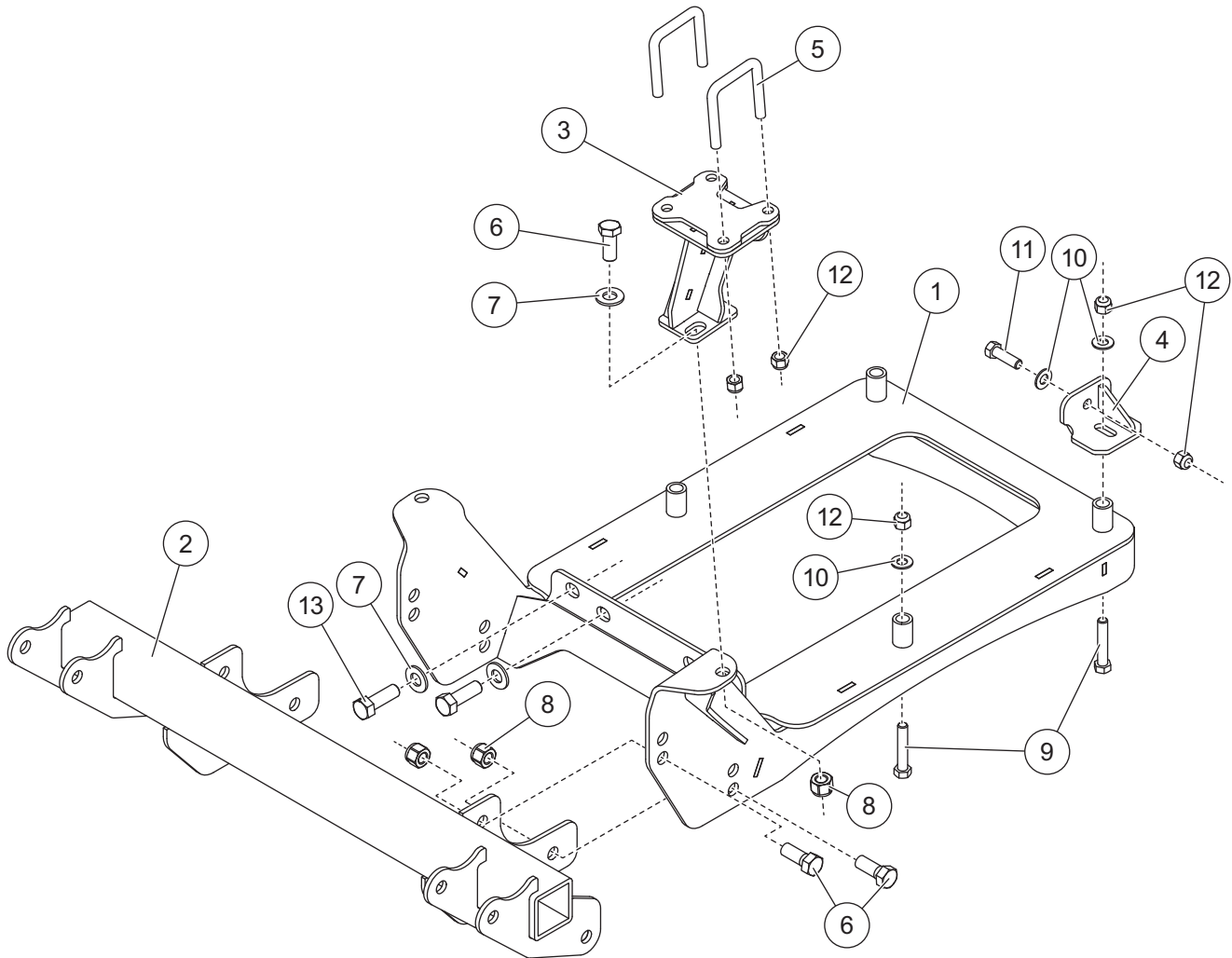


PARTS LIST



35162 Kubota RTV-XG850 Sidekick Mount Kit							
Item	Part	Qty	Description	Item	Part	Qty	Description
1	77950	1	Skid Plate Assembly	ns	77955	1	Bolt Bag
2	76656	1	Mount Beam	ns	52565	1	Vehicle Cable Assembly, Long
3	77951	1	Bracket Assembly, DS	ns	52596	1	Vehicle Control Harness, UTV
ns	77952	1	Bracket Assembly, PS	ns	48325	1	Plug Cover
4	77953	2	Frame Gusset				
77955 Bolt Bag							
5		4	3/8 x 2 x 2.5 U-Bolt	10	6	3/8 Flat Washer Type A Narrow	
6		6	1/2-13 x 1-1/2 Hex Cap Screw G5	11	2	3/8-16 x 1-1/4 Hex Cap Screw G5	
7		6	1/2 Hardened Flat Washer Type 1	12	14	3/8-16 Hex Locknut GB	
8		6	1/2-13 Hex Locknut GB	13	4	M12 x 1.25 x 30 Hex Cap Screw G8.8	
9		4	3/8-16 x 2 Hex Cap Screw G5				
ns = not shown			M = Metric	G = Grade			

Copyright © 2019 Douglas Dynamics, LLC. All rights reserved. This material may not be reproduced or copied, in whole or in part, in any printed, mechanical, electronic, film, or other distribution and storage media, without the written consent of the company. Authorization to photocopy items for internal or personal use by the company's outlets or snowplow owner is granted.

The company reserves the right under its product improvement policy to change construction or design details and furnish equipment when so altered without reference to illustrations or specifications used. This equipment manufacturer or the vehicle manufacturer may require or recommend optional equipment for snow removal. Do not exceed vehicle ratings with a snowplow. The company offers a limited warranty for all snowplows and accessories. See separately printed page for this important information.

Printed in U.S.A.
