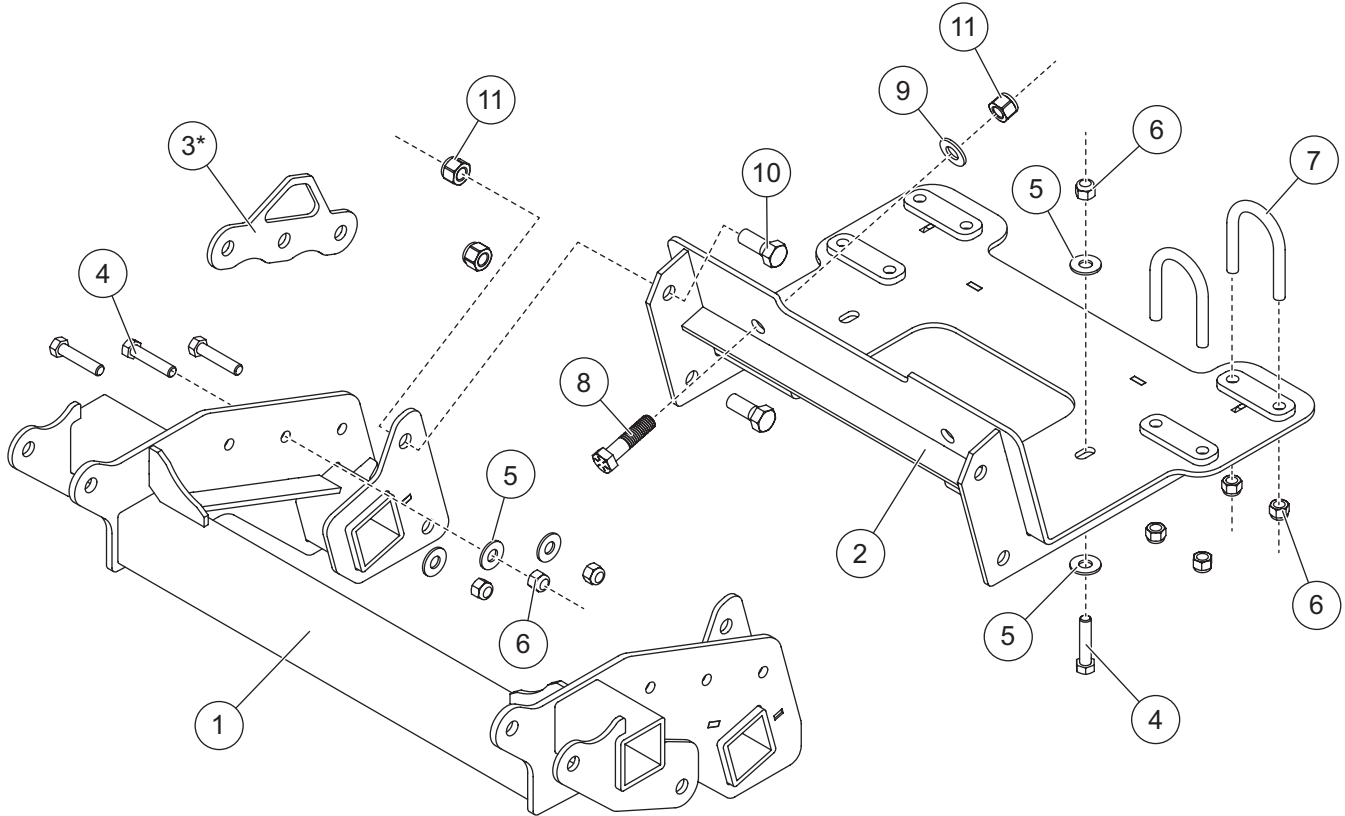


PARTS LIST



35161 Mount Kit							
Item	Part	Qty	Description	Item	Part	Qty	Description
1	74275	1	Mount Beam	ns	52596	1	Vehicle Control Harness, UTV
2	74276	1	Skid Plate Assembly	ns	61548K	1	Plug Cover Kit
3*	74277	2	Spacer	ns	74279	1	Bolt Bag
ns	52565	1	Vehicle Cable Assembly, Long				
74279 Bolt Bag							
4		8	3/8-16 x 1-3/4 Hex Cap Screw G5	8		2	1/2-13 x 2 Hex Cap Screw G8
5		10	3/8 Flat Washer	9		2	1/2 Hardened Flat Washer
6		16	3/8-16 Hex Locknut GB	10		4	1/2-13 x 1-1/4 Hex Cap Screw G5
7		4	3/8-16 x 1-3/4 x 2-3/4 U-Bolt	11		6	1/2-13 Hex Locknut GB
ns = not shown				G = Grade			

* Not used in all applications. See Installation Instructions.

Copyright © 2018 Douglas Dynamics, LLC. All rights reserved. This material may not be reproduced or copied, in whole or in part, in any printed, mechanical, electronic, film, or other distribution and storage media, without the written consent of the company. Authorization to photocopy items for internal or personal use by the company's outlets or snowplow owner is granted.

The company reserves the right under its product improvement policy to change construction or design details and furnish equipment when so altered without reference to illustrations or specifications used. This equipment manufacturer or the vehicle manufacturer may require or recommend optional equipment for snow removal. Do not exceed vehicle ratings with a snowplow. The company offers a limited warranty for all snowplows and accessories. See separately printed page for this important information.

Printed in U.S.A.
