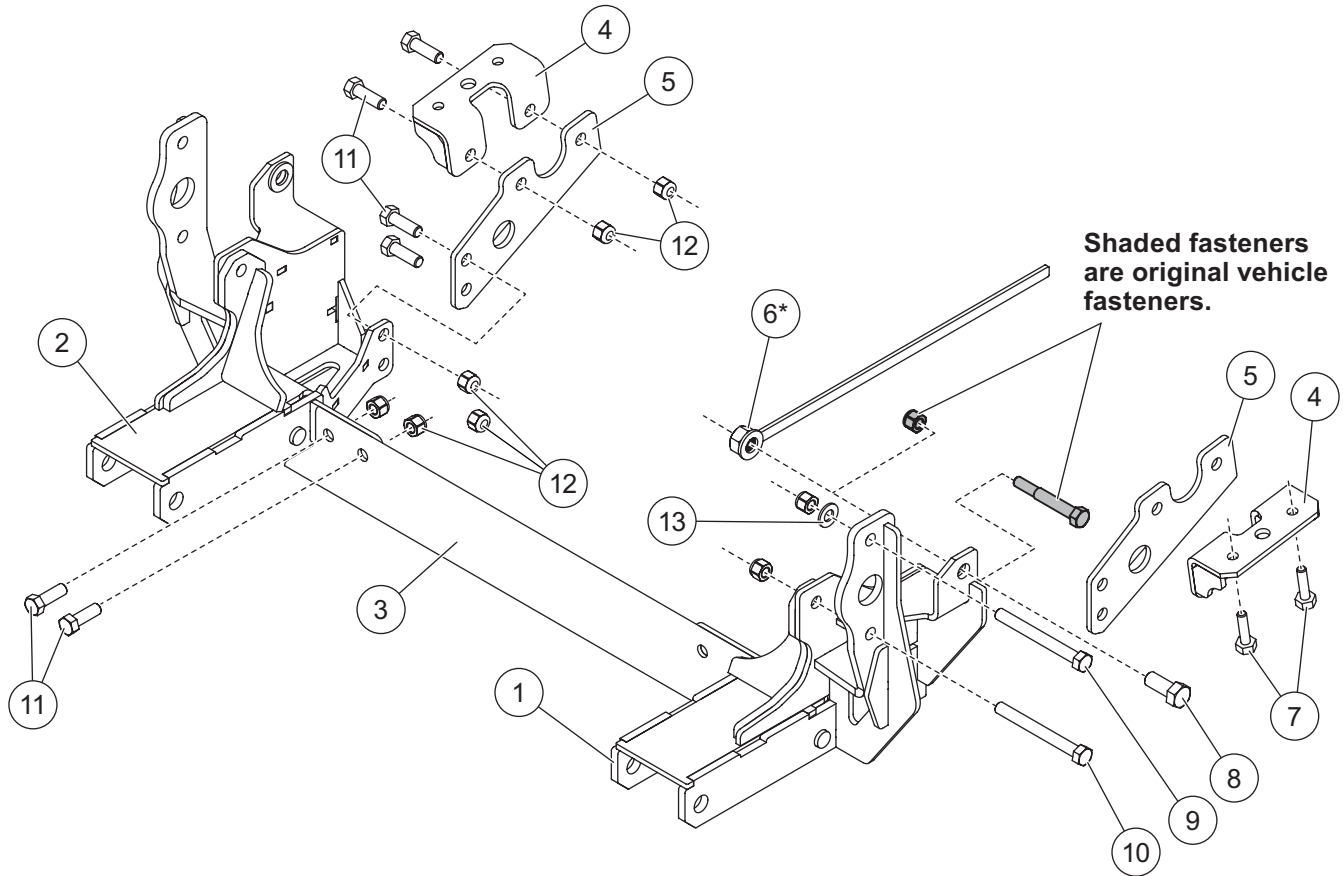


PARTS LIST



33888 Mount Kit							
Item	Part	Qty	Description	Item	Part	Qty	Description
1	78830	1	Mount, DS	5	43461	2	Thrust Arm
2	78831	1	Mount, PS	6*	B31109	2	5/8-11 Nut with Handle
3	67696	1	Cross Bar	ns	78821	1	Bolt Bag
4	43455	2	Bracket				
78821 Bolt Bag							
7		4	M10 x 1.50 x 40 Hex Cap Screw G10.9	11		12	1/2-13 x 1-1/2 Hex Cap Screw G5
8		2	5/8-11 x 1-1/2 Hex Cap Screw G5	12		16	1/2-13 Hex Locknut GB
9		2	1/2-13 x 4 Hex Cap Screw G5	13		2	1/2 Flat Washer
10		2	1/2-13 x 4-1/2 Hex Cap Screw G8				
ns = not shown				M = Metric		G = Grade	

* See Installation Instructions for additional information.

Copyright © 2019 Douglas Dynamics, LLC. All rights reserved. This material may not be reproduced or copied, in whole or in part, in any printed, mechanical, electronic, film, or other distribution and storage media, without the written consent of the company. Authorization to photocopy items for internal or personal use by the company's outlets or snowplow owner is granted.

The company reserves the right under its product improvement policy to change construction or design details and furnish equipment when so altered without reference to illustrations or specifications used. This equipment manufacturer or the vehicle manufacturer may require or recommend optional equipment for snow removal. Do not exceed vehicle ratings with a snowplow. The company offers a limited warranty for all snowplows and accessories. See separately printed page for this important information.

Printed in U.S.A.
