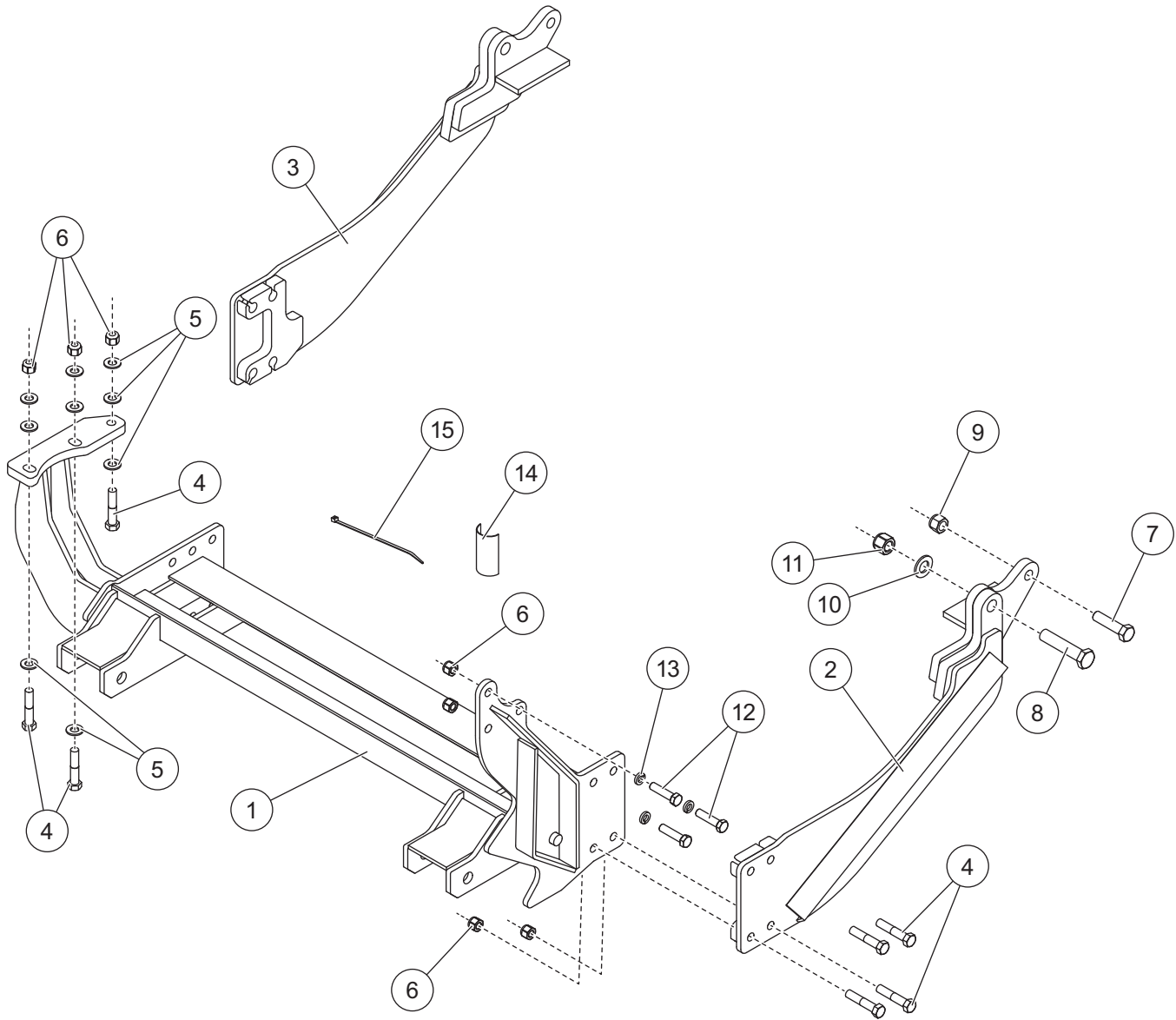


PARTS LIST



31103 Mount Kit						
Item	Part	Qty	Description	Item	Part	Qty Description
1	72221	1	Mount	3	28482	1 Thrust Arm, PS
2	28481	1	Thrust Arm, DS	ns	70699	1 Bolt Bag
70699 Bolt Bag						
4		11	1/2-13 x 2-1/2 Hex Cap Screw G8	10		2 3/4 Hardened Flat Washer
5		24	1/2 Hardened Flat Washer	11		2 3/4 Hex Locknut GB
6		11	1/2-13 Hex Locknut GB	12		3 M12 x 1.75 x 50 Hex Cap Screw G10.9
7		2	5/8-11 x 2-1/2 Hex Cap Screw G8	13		3 M12 Spring Lock Washer
8		2	3/4-10 x 3-1/2 Hex Cap Screw G8	14		6 Anti-Chafing Material
9		2	5/8 Hex Locknut GB	15		12 Hose Tie
			ns = not shown			
				G = Grade		

Copyright © 2018 Douglas Dynamics, LLC. All rights reserved. This material may not be reproduced or copied, in whole or in part, in any printed, mechanical, electronic, film, or other distribution and storage media, without the written consent of the company. Authorization to photocopy items for internal or personal use by the company's outlets or snowplow owner is granted.

The company reserves the right under its product improvement policy to change construction or design details and furnish equipment when so altered without reference to illustrations or specifications used. This equipment manufacturer or the vehicle manufacturer may require or recommend optional equipment for snow removal. Do not exceed vehicle ratings with a snowplow. The company offers a limited warranty for all snowplows and accessories. See separately printed page for this important information.

Printed in U.S.A.
