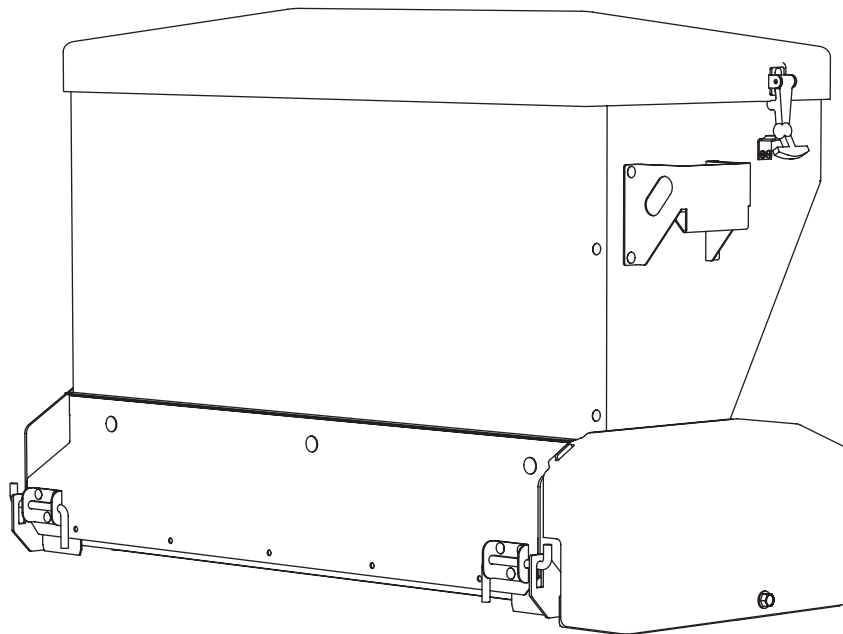




# Drop Pro™ 250 & 600 Stainless Steel Drop Spreaders

87535, 87635

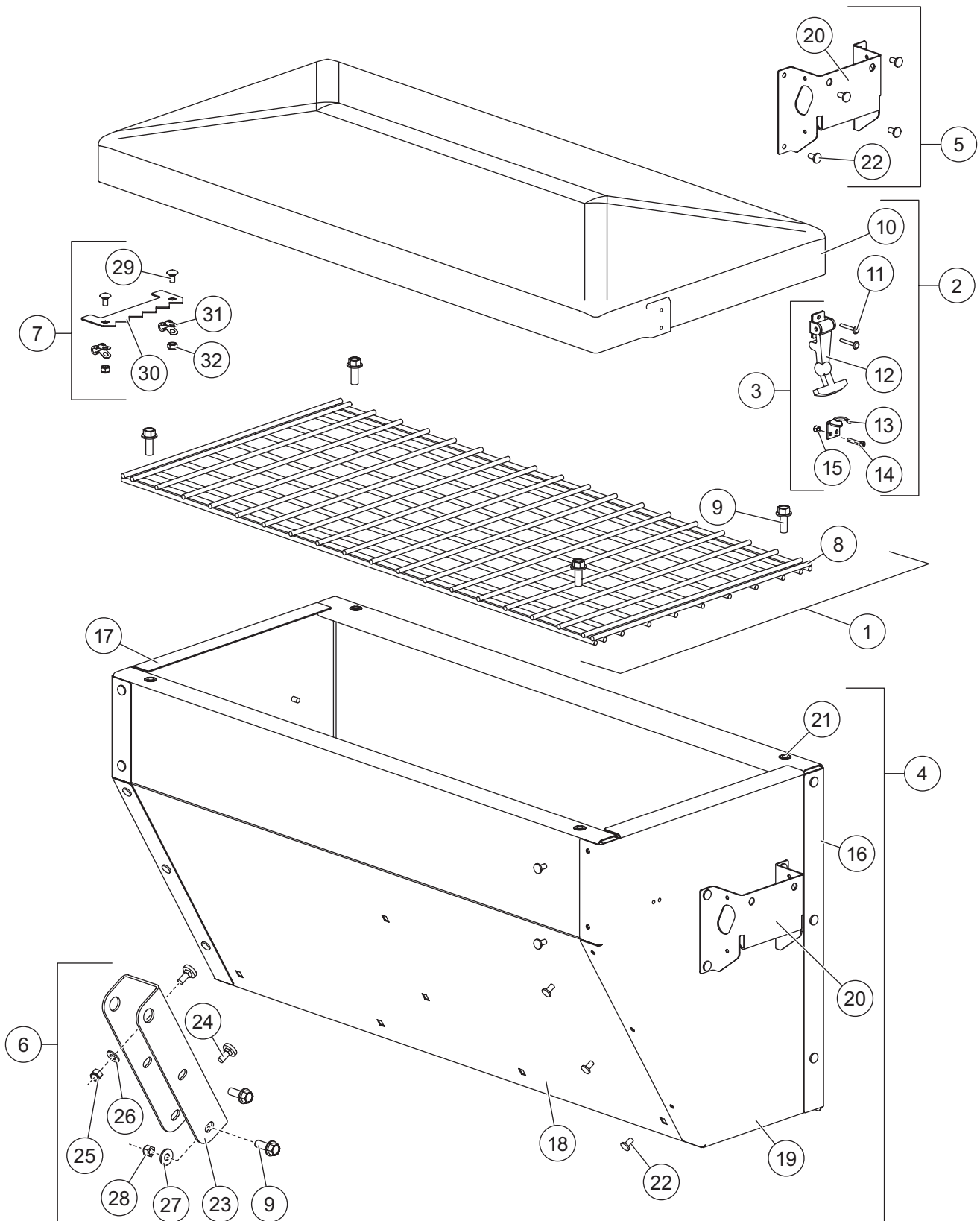
## Parts List



This manual is for SnowEx® Drop Pro 250 & 600 tailgate spreaders with serial numbers beginning with 210101 and higher.

# DROP PRO™ 250 & 600 DROP SPREADER

## HOPPER ASSEMBLY

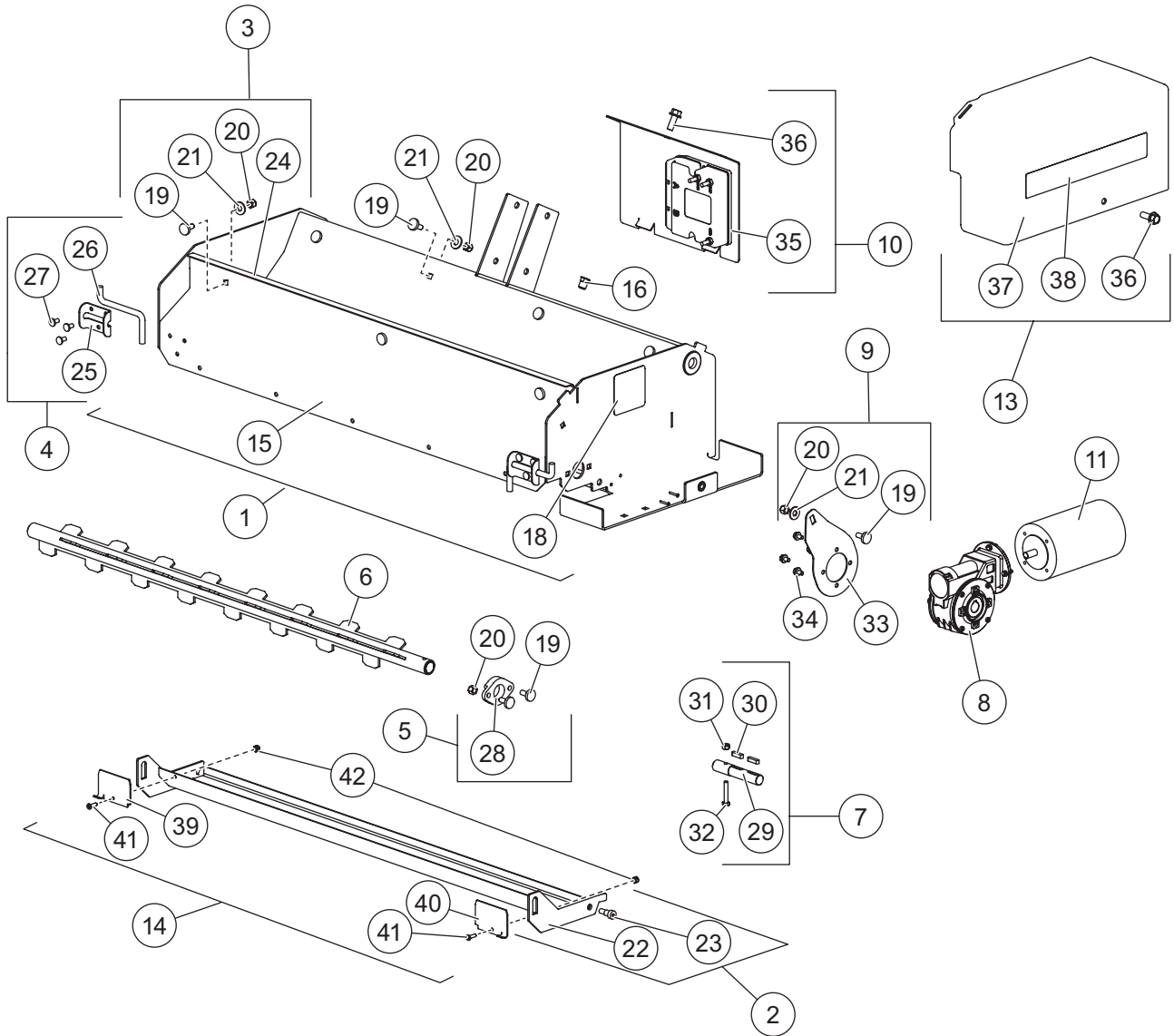


# DROP PRO™ 250 & 600 DROP SPREADER

<b>Hopper &amp; Frame Assembly</b>							
<b>Item</b>	<b>Part</b>	<b>Qty</b>	<b>Description</b>	<b>Item</b>	<b>Part</b>	<b>Qty</b>	<b>Description</b>
1	91840	1	Top Screen Kit, 250	4	91860	1	Hopper Kit, 250
	91970	1	Top Screen Kit, 600		91865	1	Hopper Kit, 600
2	91845	1	Lid Kit, 250	5	91870	1	Handle Kit
	91855	1	Lid Kit, 600	6	91875	1	Upper Hitch Kit
3	P3045	1	Latch Kit	7	91880	1	Bag Splitter Kit
<b>Item 1</b>				<b>91840 Top Screen Kit, 250</b>			
8	91688	1	Top Screen	9		4	3/8-16 x 1 Hex Cap Screw SS
<b>Item 1</b>				<b>91970 Top Screen Kit, 600</b>			
8	91871	1	Top Screen	9		4	3/8-16 x 1 Hex Cap Screw SS
<b>Item 2</b>				<b>91845 Lid Kit, 250</b>			
3	P3045	1	Latch Kit	11		4	3/16 Pop Rivet
10		1	Lid				
<b>Item 2</b>				<b>91855 Lid Kit, 600</b>			
3	P3045	1	Latch Kit	11		4	3/16 Pop Rivet
10		1	Lid				
<b>Item 3</b>				<b>P3045 Latch Kit</b>			
12	95591	2	Latch	14		8	10-32 x 5/8 Machine Screw SS
13	95590	2	Keeper	15		8	10-32 Hex Locknut SS
<b>Item 4</b>				<b>91860 Hopper Kit, 250</b>			
16		1	Rear Side, 2.5 cu ft	20		2	Handle
17		1	PS End Cap, 2.5 cu ft	21		4	3/8-16 Hex Rivnut
18		1	Front Side, 2.5 cu ft	22		24	1/4 Rivet SS
19		1	DS End Cap, 2.5 cu ft	ns		1	Label, SnowEx® Logo SS
<b>Item 4</b>				<b>91865 Hopper Kit, 600</b>			
16		1	Rear Side, 6 cu ft	20		2	Handle
17		1	PS End Cap, 6 cu ft	21		4	3/8-16 Hex Rivnut
18		1	Front Side, 6 cu ft	22		24	1/4 Rivet SS
19		1	DS End Cap, 6 cu ft	ns		1	Label, SnowEx Logo SS
<b>Item 5</b>				<b>91870 Handle Kit</b>			
20		1	Handle	22		4	1/4 Rivet SS
<b>Item 6</b>				<b>91875 Upper Hitch Kit</b>			
9		4	3/8-16 x 1 Hex Cap Screw SS	26		2	5/16 Flat Washer Type A Narrow
23		1	Three Point Hitchpoint	27		4	3/8 Flat Washer Type A Wide SS
24		2	5/16-18 x 3/4 Carriage Bolt SS	28		4	3/8-16 Hex Locknut GB
25		2	5/16-18 Hex Locknut GB				
<b>Item 7</b>				<b>91880 Bag Splitter Kit</b>			
29		2	1/4-20 x 1/2 Carriage Bolt SS	31		2	Clamp, 5/16 Rubber Coated
30		1	Bag Splitter	32		2	1/4-20 Hex Locknut GB
		ns = not shown				G = Grade	
						SS = Stainless Steel	

# DROP PRO™ 250 & 600 DROP SPREADER

## DRIVE ASSEMBLY

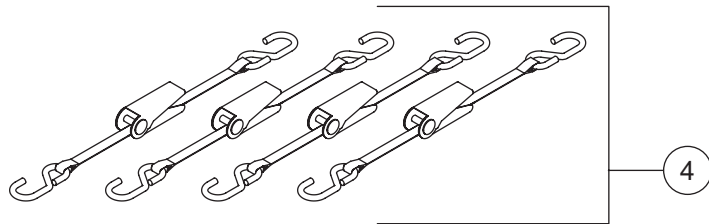
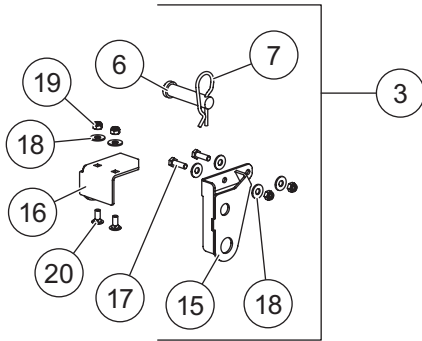
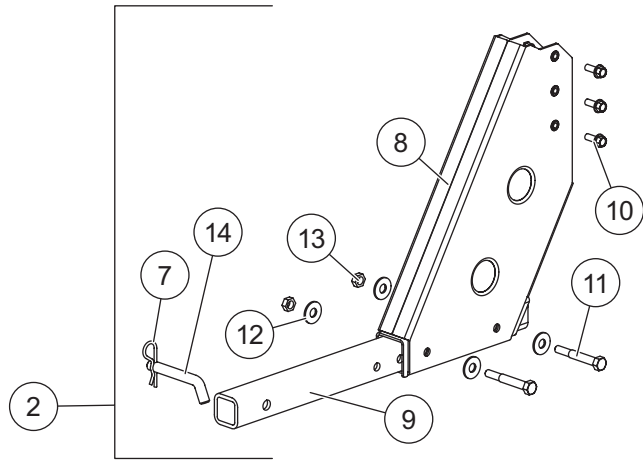
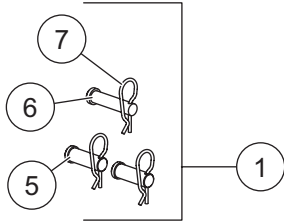


# DROP PRO™ 250 & 600 DROP SPREADER

<b>Frame and Drive Assembly</b>							
Item	Part	Qty	Description	Item	Part	Qty	Description
1	91885	1	Frame Kit	8	F50582		Gearbox
2	91890	1	Drop Trough Kit	9	91920		Torque Arm Kit
3	91895	1	Flap Agitator Kit	10	91925		Electrical Cover Kit
4	91905	2	Locking Pin Kit	11	F50864		Motor Kit
5	91910	2	Poly Bearing Kit	12	91945		Grommet Kit
6	91940	1	Paddle Auger Weldment	13	91930		Motor Cover Kit
7	91915	1	Driveshaft Kit	14	91935		Spread Width Baffle Kit
<b>Item 1</b>				<b>91885 Frame Kit</b>			
15		1	Frame	20		4	5/16-18 Hex Locknut GB
16		2	3/8-16 Hex Rivnut	21		4	5/16 Flat Washer Type A Narrow
17		3	Grommet	ns	29593	1	Label, Multiple Pinch Points
18	75126	1	Label, Warning - Rotating Parts	ns	68584	1	Label, Warning/Caution - Spreaders
19		4	5/16-18 x 3/4 Carriage Bolt SS				
<b>Item 2</b>				<b>91890 Drop Trough Kit</b>			
22		1	Trough	23		2	Shoulder Bolt
<b>Item 3</b>				<b>91895 Flap Agitator Kit</b>			
19		3	5/16-18 x 3/4 Carriage Bolt SS	21		3	5/16 Flat Washer Type A Narrow
20		3	5/16-18 Hex Locknut GB	24		1	Flap Agitator
<b>Item 4</b>				<b>91905 Locking Pin Kit</b>			
25		1	Locking Pin	27		3	Rivet, 1/4"
26		1	Pin Keeper				
<b>Item 5</b>				<b>91910 Poly Bearing Kit</b>			
19		2	5/16-18 x 3/4 Carriage Bolt SS	28		1	Paddle Bearing
20		2	5/16-18 Hex Locknut GB				
<b>Item 7</b>				<b>91915 Driveshaft Kit</b>			
29		1	Auger Driveshaft	31		1	1/4-20 Hex Locknut GB
30		2	Key	32		1	1/4-20 x 1-1/2 Hex Cap Screw SS
<b>Item 9</b>				<b>91920 Torque Arm Kit</b>			
19		1	5/16-18 x 3/4 Carriage Bolt SS	33		1	Motor Plate
20		1	5/16-18 Hex Locknut GB	34		4	M6 x 1.00 10mm Flanged Bolt G10.9
21		1	5/16 Flat Washer Type A Narrow				
<b>Item 10</b>				<b>91925 Electrical Cover Kit</b>			
35		1	Electrical Cover	36		1	3/8-16 x 1 Hex Cap Screw SS
<b>Item 13</b>				<b>91930 Motor Cover Kit</b>			
36		1	3/8-16 x 1 Hex Cap Screw SS	38	68584	1	Label, Warning/Caution, Spreaders
37		1	Motor Cover				
<b>Item 14</b>				<b>91935 Spread Width Baffle Kit</b>			
39		1	Shutter Plate, DS	41		2	10-32 x 5/8 Machine Screw SS
40		1	Shutter Plate, PS	42		2	10-32 Hex Locknut SS
ns = not shown				G = Grade			SS = Stainless Steel

# DROP PRO™ 250 & 600 DROP SPREADER

## MOUNTS

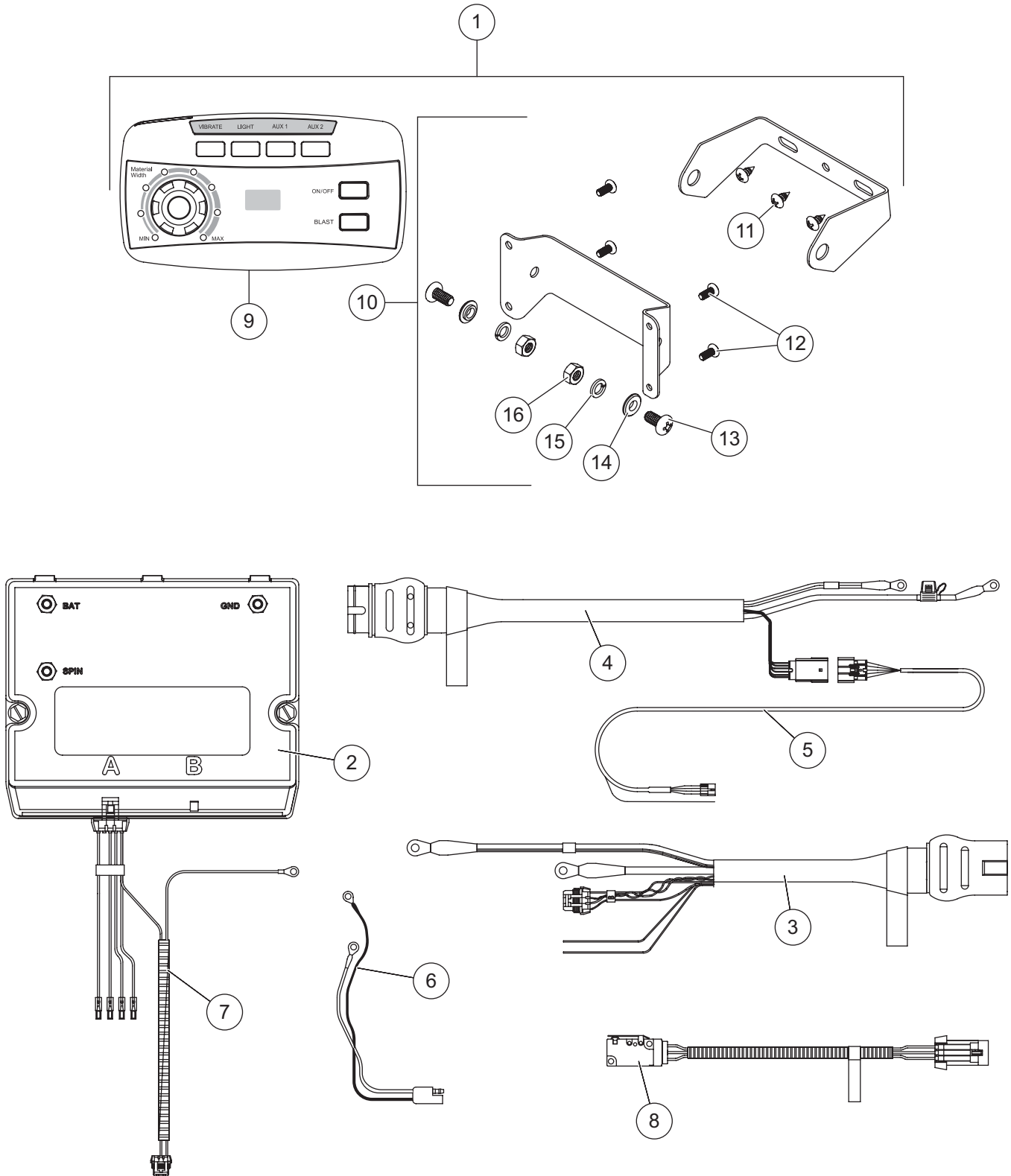


## DROP PRO™ 250 & 600 DROP SPREADER

Mount Assemblies							
Item	Part	Qty	Description	Item	Part	Qty	Description
1	91960	1	Tractor Mount Pins	3	91950	1	Bed Mount Kit
2	91955	1	Receiver Mount Kit	4	D6503	1	Strap, Ratchet, 1" x 12', 4 Pack
<b>Item 1</b>				<b>91960 Tractor Mount Pins</b>			
5	91876	2	7/8 x 2-1/2 Clevis Pin	7		3	5/32 Hairpin Cotter
6	93063	1	3/4 x 3-1/4 Clevis Pin				
<b>Item 2</b>				<b>91955 Receiver Mount Kit</b>			
7		1	5/32 Hairpin Cotter	11		2	1/2-13 x 3-1/2 Hex Cap Screw G5
8		1	Riser Weldment	12		4	1/2 Plain Washer Type A
9		1	Receiver Tube	13		2	1/2-13 Stover Nut GC
10		6	3/8-16 x 1 Serrated Flange Bolt	14	T15043-A	1	Hitch Pin
<b>Item 3</b>				<b>91950 Bed Mount Kit</b>			
6	93063	1	3/4 x 3-1/4 Clevis Pin	17		2	5/16-18 x 1 Hex Cap Screw SS
7		1	5/32 Hairpin Cotter	18		6	5/16 Flat Washer Type A Narrow
15		1	Bed Stop Bracket, DS	19		4	5/16-18 Hex Locknut GB
16		1	Bed Stop Bracket, PS	20		2	5/16-18 x 3/4 Carriage Bolt SS
ns = not shown				G = Grade		SS = Stainless Steel	

# DROP PRO™ 250 & 600 DROP SPREADER

## ELECTRICAL COMPONENTS





## DROP PRO™ 250 & 600 DROP SPREADER

Electrical Components							
Item	Part	Qty	Description	Item	Part	Qty	Description
1	52465	1	Spreader Control Kit	6	78399	1	Spinner Motor Harness Rev Pin-Out
2	52355	1	Spreader Module, 3-Post				
3	72092	1	Spreader Harness, 7-Pin	7	78978	1	10-Pin Connector w/5 Wires
4	74978	1	Vehicle Harness, 7-Pin	8	78980	1	Switch Assembly
5	69902	1	Vehicle Control Harness				
<b>Item 1</b>				<b>52465 Spreader Control Kit</b>			
9	52467	1	Spreader Control	10	52345	1	Control Bracket Kit
<b>Item 10</b>				<b>52345 Control Bracket Kit</b>			
11		3	#10 x 3/8 Pan Head Tapping Screw SS	14		2	1/4 Shoulder Washer SS – Black
12		4	#8 x 3/8 Pan Head Machine Screw	15		2	1/4 Lock Washer SS
13		2	1/4-20 x 1/2 Pan Head Machine Screw SS – Black	16		2	1/4-20 Hex Nut G5 – Black
SS = Stainless Steel				G = Grade			



TrynEx International  
531 Ajax Drive  
Madison Heights, MI 48071-2429  
[www.snowexproducts.com](http://www.snowexproducts.com)

 A DIVISION OF DOUGLAS DYNAMICS, LLC

Copyright © 2021 Douglas Dynamics, LLC. All rights reserved. This material may not be reproduced or copied, in whole or in part, in any printed, mechanical, electronic, film, or other distribution and storage media, without the written consent of TrynEx International, LLC. Authorization to photocopy items for internal or personal use by TrynEx International outlets or spreader owner is granted.

TrynEx International reserves the right under its product improvement policy to change construction or design details and furnish equipment when so altered without reference to illustrations or specifications used. TrynEx International or the vehicle manufacturer may require or recommend optional equipment for spreaders. Do not exceed vehicle ratings with a spreader. TrynEx International offers a limited warranty for all spreaders and accessories. See separately printed page for this important information. The following are registered (®) or unregistered (™) trademarks of Douglas Dynamics, LLC: Drop Pro™, SnowEx®.

**Printed in U.S.A.**